

53-1001434-01
28 July 2009



Slide Rack Mount Kit

Installation Procedure

Supporting Brocade 200E, 300, 4100, 4900, 5000, 5100, 5300, 7500 series, 7800, AP7420, and Encryption Switch

BROCADE

53-1001434-01



Copyright © 2009 Brocade Communications Systems, Inc. All Rights Reserved.

Brocade, the B-wing symbol, BigIron, DCX, Fabric OS, FastIron, IronPoint, IronShield, IronView, IronWare, JetCore, NetIron, SecureIron, ServerIron, StorageX, and Turbolron are registered trademarks, and DCFM, Extraordinary Networks, and SAN Health are trademarks of Brocade Communications Systems, Inc., in the United States and/or in other countries. All other brands, products, or service names are or may be trademarks or service marks of, and are used to identify, products or services of their respective owners.

Notice: This document is for informational purposes only and does not set forth any warranty, expressed or implied, concerning any equipment, equipment feature, or service offered or to be offered by Brocade. Brocade reserves the right to make changes to this document at any time, without notice, and assumes no responsibility for its use. This informational document describes features that may not be currently available. Contact a Brocade sales office for information on feature and product availability. Export of technical data contained in this document may require an export license from the United States government.

The authors and Brocade Communications Systems, Inc. shall have no liability or responsibility to any person or entity with respect to any loss, cost, liability, or damages arising from the information contained in this book or the computer programs that accompany it.

The product described by this document may contain "open source" software covered by the GNU General Public License or other open source license agreements. To find out which open source software is included in Brocade products, view the licensing terms applicable to the open source software, and obtain a copy of the programming source code, please visit <http://www.brocade.com/support/oscd>.

Brocade Communications Systems, Incorporated

Corporate and Latin American Headquarters
Brocade Communications Systems, Inc.
1745 Technology Drive
San Jose, CA 95110
Tel: 1-408-333-8000
Fax: 1-408-333-8101
E-mail: info@brocade.com

Asia-Pacific Headquarters
Brocade Communications Systems China HK, Ltd.
No. 1 Guanghua Road
Chao Yang District
Units 2718 and 2818
Beijing 100020, China
Tel: +8610 6588 8888
Fax: +8610 6588 9999
E-mail: china-info@brocade.com

European Headquarters
Brocade Communications Switzerland Sàrl
Centre Swissair
Tour B - 4ème étage
29, Route de l'Aéroport
Case Postale 105
CH-1215 Genève 15
Switzerland
Tel: +41 22 799 5640
Fax: +41 22 799 5641
E-mail: emea-info@brocade.com

Asia-Pacific Headquarters
Brocade Communications Systems Co., Ltd. (Shenzhen WFOE)
Citic Plaza
No. 233 Tian He Road North
Unit 1308 - 13th Floor
Guangzhou, China
Tel: +8620 3891 2000
Fax: +8620 3891 2111
E-mail: china-info@brocade.com

Document History

Title	Publication number	Summary of changes	Date
<i>Slide Rack Mount Kit Installation Procedure</i>	53-0001625-01	New document.	March 2002
<i>Slide Rack Mount Kit Installation Procedure</i>	53-0001625-02	Added support for 3200, 3800, and 3900 switches.	November 2002
<i>Slide Rack Mount Kit Installation Procedure</i>	53-0001625-05	Added 2U switch installation procedures to support Fabric AP7420 switches.	September 2003
<i>Slide Rack Mount Kit Installation Procedure</i>	53-0001625-06	Complete reformat (including altering procedures), provided new illustrations, and added 3250/3850 support.	December 2003
<i>Slide Rack Mount Kit Installation Procedure</i>	53-0001625-07	Added support for 4100, minor editorial changes in text and graphics.	July 2004
<i>Slide Rack Mount Kit Installation Procedure</i>	53-0001625-08	Updated to clarify bracket usage and add required tool.	September 2004
<i>Slide Rack Mount Kit Installation Procedure</i>	53-0001625-09	Added support for 200E, minor editorial changes in text.	January 2005
<i>Slide Rack Mount Kit Installation Procedure</i>	53-0001625-10	Added support for 4900 and 7500.	February 2006
<i>Slide Rack Mount Kit Installation Procedure</i>	53-0001625-12	Added support for Brocade 5000 switch.	December 2006
<i>Slide Rack Mount Kit Installation Procedure</i>	53-0001625-13	Rebranded to current standards and changed title of manual to include "7500 series."	January 2008
<i>Slide Rack Mount Kit Installation Procedure</i>	53-0001625-14	Updated to include support for the Brocade 300, 5100, and 5300	March 2008
<i>Slide Rack Mount Kit Installation Procedure</i>	53-0001625-15	Updated to include support for the Brocade Encryption Switch and OEM review comments.	August 2008
<i>Slide Rack Mount Kit Installation Procedure</i>	53-0001625-16	Deleted all references and information to non-port side installation. Other less significant updates and changes.	September 2008
<i>Slide Rack Mount Kit Installation Procedure</i>	53-1001434-01	Added support for Brocade 7800 switch.	July 2009

Contents

This document provides instructions to install a 1U, 1.5U, or 2U switch (or SAN Router) in a 19-in. (48.3 cm) EIA cabinet using the Slide Rack Mount Kit. Round-hole and square-hole cabinet rails are supported. The document is organized as follows.

- [Installation requirements](#) 4
- [Tool requirements and parts list](#) 4
- [Planning the switch installation](#) 7
- [Installing the switch](#) 7

Installation requirements

Allow 15 to 30 minutes to complete this procedure. Note the following requirements to ensure correct installation and operation:

ATTENTION

Install the switch with the fan side facing the air-intake aisle. The chassis air intake is on the non-port side and exhaust is on the port side. Non-port side installation is not supported.

NOTE

Two persons can make installation easier, particularly with the 2U chassis.

- Provide space in a 19-in. (48.3 cm) EIA cabinet, as required for the switch type, with a minimum distance of 28.25 in. (71.76 cm) and a maximum distance of 29.88 in. (75.90 cm) between the front and back rails.
- Verify that the additional weight of the switch does not exceed the cabinet weight limits.
- Ensure that an electrical branch circuit with the following characteristics is available:
 - Required voltage and frequency as indicated in the hardware reference manual. (200-230 VAC is always preferred)
 - Protection by a circuit breaker in accordance with local electrical codes.
 - Supply circuit, line fusing, and wire size that conform to the electrical rating on the switch nameplate.
 - Grounded outlet compatible with the power cord and installed by a licensed electrician.
- Ensure that all equipment installed in the cabinet is grounded through a reliable branch circuit connection. Do not rely on a secondary connection to a branch circuit, such as a power strip.
- Ensure that the cabinet is mechanically secured to ensure stability.
- Ensure that the air temperature at the fan inlet is less than 104° Fahrenheit (40° Celsius) during switch operation.
- Ensure that the airflow available at the air vents meets the minimum requirements for the switch.

Tool requirements and parts list

The following tools are required to perform this procedure:

- Clamps or other means of temporarily supporting the switch in the cabinet.
- Phillips #2 screwdriver with torque capability.

- 11/32-inch wrench.
- 1/4-inch slotted-blade screwdriver with torque capability.

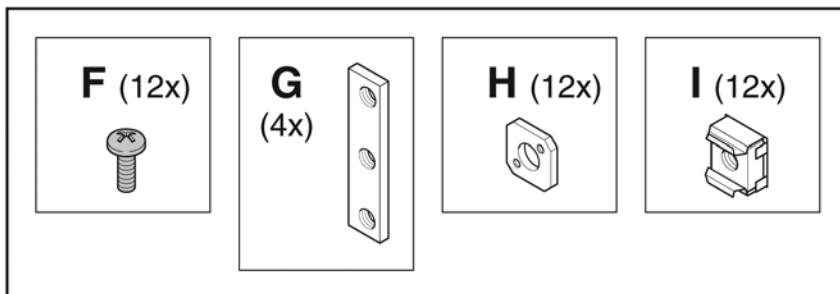
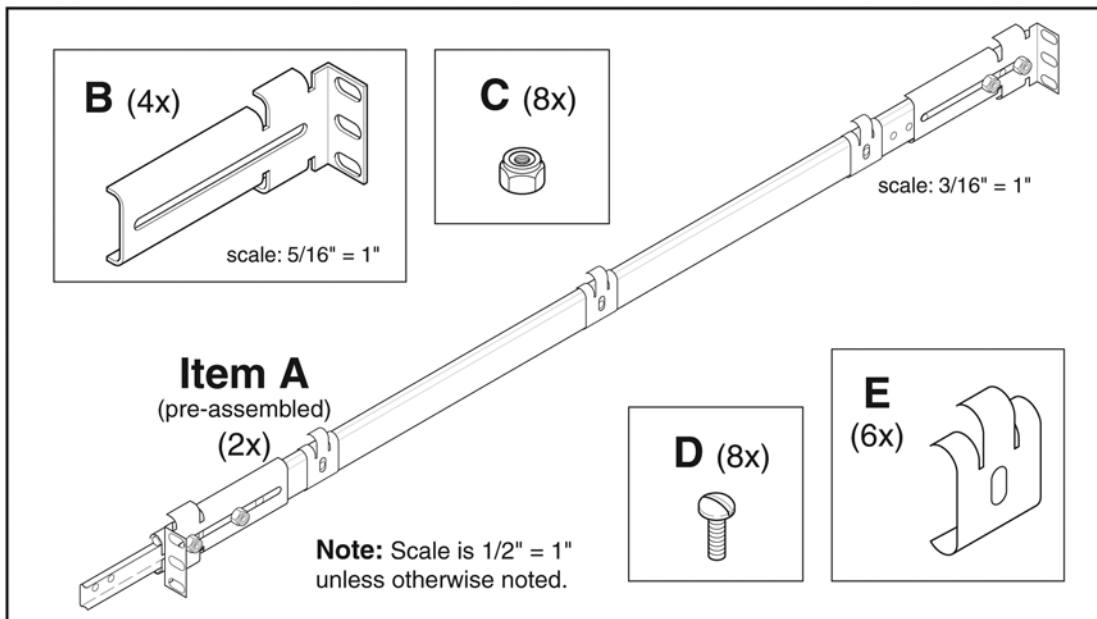
ATTENTION

Use the exact screws specified for use with the switch. Longer screws might damage the switch.

Ensure that the items listed in [Table 1](#) and illustrated in [Figure 1](#) are included in the kit.

TABLE 1 Parts list

Item	Description	Total Qty.
A	Slide assembly, containing one inner and one outer slide rail, with Items B, C, and D installed on the outer slide rail (each slide assembly is bagged separately)	2
B	Three-hole slide mount L-bracket	4
C	Locking hex nut, 8-32 (for Item D)	12
D	Slotted screw, 8-32 x 3/8 inch, zinc	16
E	Power cord clip	6
F	Phillips screw, 10-32 x 1/2 inch, black	12
G	Three-hole rack nut bar, 8-32 (for Item F)	4
H	Alignment washer	12
I	Retainer nut, 10-32 (for Item F)	12
J	Left rack mount bracket (unexpected movement safety bracket for port side)	1
K	Right rack mount bracket (unexpected movement safety bracket for port side)	1
L	Left mount bracket (unexpected movement safety bracket for port side)	1
M	Right mount bracket (unexpected movement safety bracket for port side)	1
N	Phillips screw, 8-32 x 1/4 inch, black	4
O	Back rack mount bracket (unexpected movement safety bracket for non-port side)	2
P	Phillips screw, 8-32 x 3/16 inch, zinc	12



Note:
Heavy box outline indicates separate packages of components

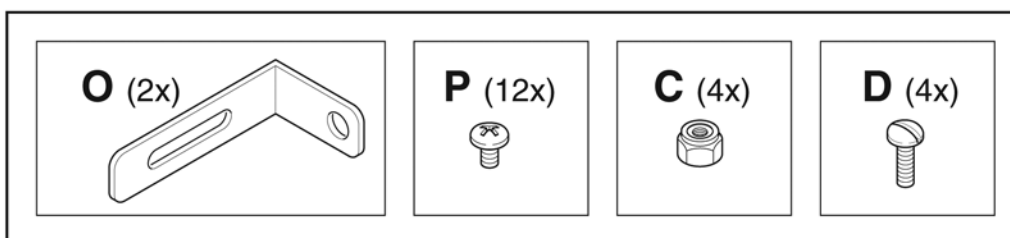
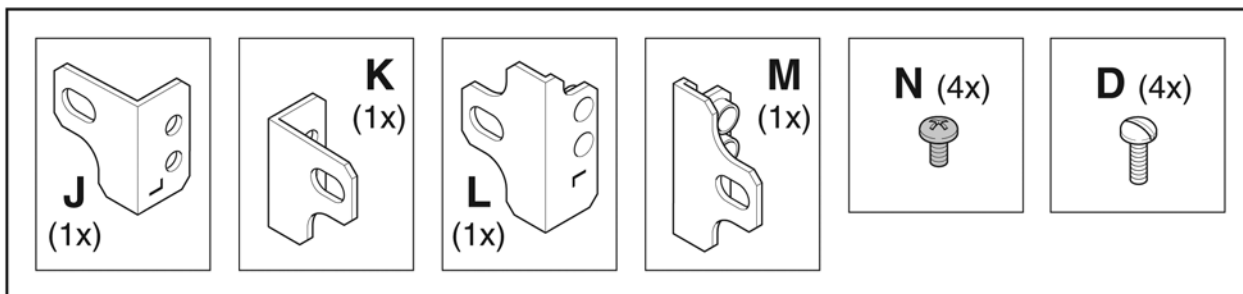


FIGURE 1 Items in the Slide Rack Mount Kit (not to scale)

Planning the switch installation

The slide rack mount kit supports 1U, 1.5U, and 2U switch sizes. Complete the following steps to plan the position of the switch in the cabinet.

1. Plan the orientation of the switch so that the non-port side faces the air-intake aisle.
2. Plan 1U, 1.5U, or 2U of rack space for the switch.

NOTE

1U represents a rack unit of space in a standard EIA cabinet. 1U equals 1.75 in. (4.44 cm).

Installing the switch

ATTENTION

The switch must be turned off and disconnected from the fabric during this procedure.

NOTE

Although this document describes how to install a 1U, 1.5U, and 2U switch, the illustrations show a 1.5U switch.

Complete these tasks to install the switch in a cabinet:

1. [“Preparing slide assemblies”](#)
2. [“Attaching inner slide rails”](#)
3. [“Attaching rack mount brackets”](#)
4. [“Attaching L-brackets to cabinet rails”](#)
5. [“Inserting the switch in the cabinet”](#)

Preparing slide assemblies

Perform the following steps to prepare both slide assemblies for installation.

1. Locate the slide assembly (Item A and pre-assembled) in the kit ([Figure 1](#)).
2. Pull the inner slide rail out until the lock engages ([Figure 2](#)).
3. Press the lock-release lever located inside the inner slide rail and pull the inner rail away from the outer rail.
4. Repeat [step 1](#) through [step 3](#) with the second slide assembly.

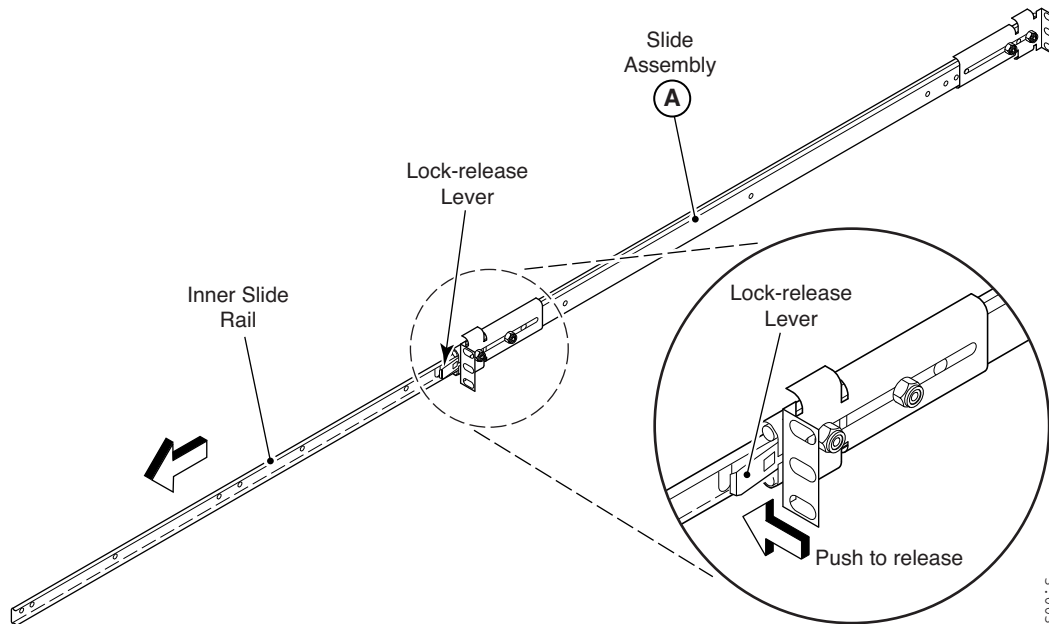


FIGURE 2 Pulling the slide rails apart

Attaching inner slide rails

Perform the following steps to attach the inner slide rails to the switch.

1. Position an inner slide rail with the flat side against the switch and the end containing the lock-release lever toward the non-port side of the switch.
2. Align the rail holes with the holes drilled in the side of the switch ([Figure 3](#)).
3. Attach the rail using three Phillips 8-32 x 3/16-inch screws (Item P).

ATTENTION

Using screws that are longer than the specified length can damage the switch. Use only the screws provided with the kit.

4. Tighten the screws to a torque of 15 inch-pounds (17 cm-kg).
 5. Repeat [step 1](#) through [step 4](#) for the inner slide rail on the other side of the switch.
-

NOTE

Hole pattern ([Figure 3](#)) is identical for all switches: 1U, 1.5U, and 2U.

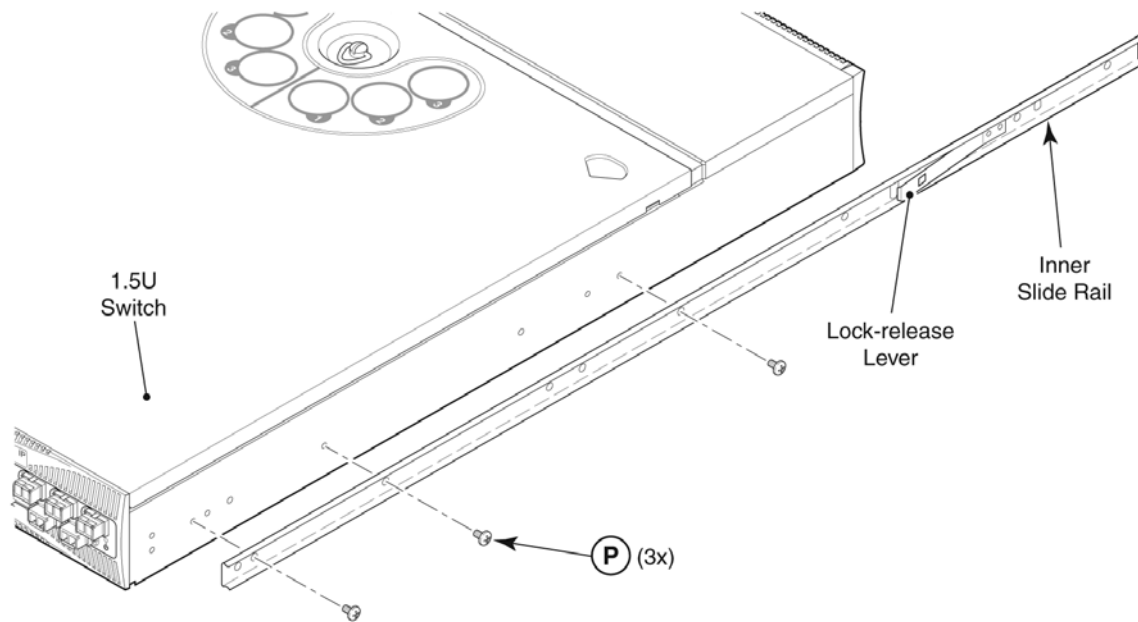


FIGURE 3 Installing inner rail to allow a switch to slide out of port side

Attaching rack mount brackets

NOTE

For recessed switches, use the back rack mount bracket (Item O) instead of left and right rack mount brackets.

Perform the following steps to attach rack mount brackets.

1. Position the right mount bracket next to the right side of the switch ([Figure 4](#)).
2. Attach the right rack mount bracket (Item M or K) to the switch using two slotted-head 8-32 x 3/8 inch screws (Item D).

ATTENTION

Using screws longer than the specified length can damage the switch. Use only the screws provided with the kit.

3. Tighten the screws to a torque of 15 inch-pounds (17 cm-kg).
4. Repeat [step 1](#) through [step 3](#) for the left rack mount bracket (Item L).

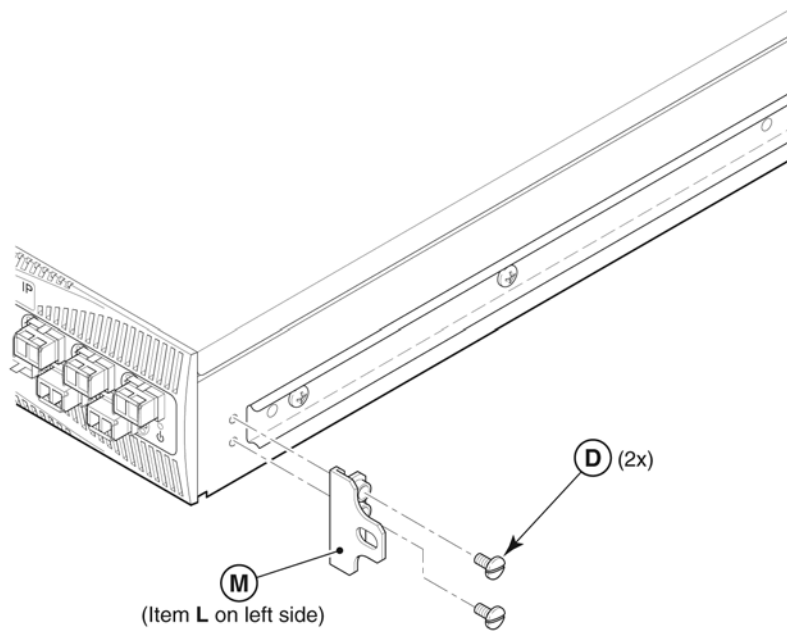


FIGURE 4 Attaching a rack mount bracket

Attaching L-brackets to cabinet rails

Each slide assembly (Item A) includes two L-brackets (Item B) that attach to the cabinet rails (either round-hole or square-hole). The slide rack mount kit includes hardware compatible with both cabinet rail types.

NOTE

Two methods are available for square-hole cabinet rails: one using retainer nuts (method A), and one using alignment washers and three-hole nut bars (method B).

The following sections provide installation instructions for each type of cabinet rail:

- [“Round-hole cabinet rails,”](#)
- [“Square-hole cabinet rails \(Method A\)”](#)
- [“Square-hole cabinet rails \(Method B\)”](#)

Round-hole cabinet rails

Perform the following steps to install the round-hole hardware.

1. On the port side of the outer slide rail, using the 11/32-inch wrench, loosen the nuts (Item C) securing the L-bracket (Item B) and extend the end of the bracket beyond the end of the slide rail by 5/8 inch ([Figure 5](#)).
Repositioning allows the rack mount brackets to align with the cabinet rails.
2. Position the outer slide rail inside the cabinet rails with the closed ends of the slide rail toward the non-port side of the cabinet ([Figure 6](#)).
3. Loosen and adjust the position of the non-port side L-bracket as necessary.

NOTE

If side cabinet access is not available, measure the depth of the cabinet, loosen the L-bracket on the non-port side, and adjust the bracket position until the total rail length matches the cabinet depth.

4. Attach the L-brackets (Item B) to the cabinet rails using five Phillips 10-32 x 1/2 inch screws (Item F) and two of the three-hole nut bars (Item G).

NOTE

Leave the middle hole empty on the port side for securing the rack mount bracket (Item O or M) later (“[Inserting the switch in the cabinet](#)”).

5. Tighten the screws to 15 inch-pounds (17 cm-kg).
6. Repeat [step 1](#) through [step 5](#) for the other rail.

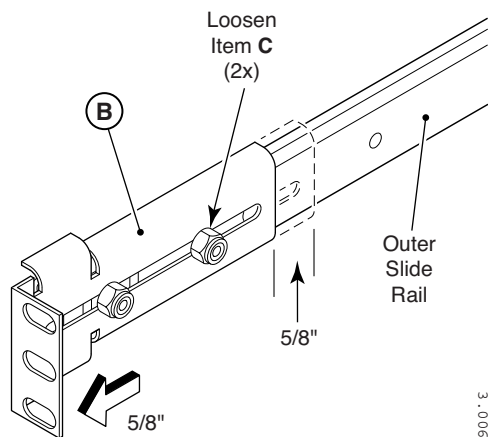
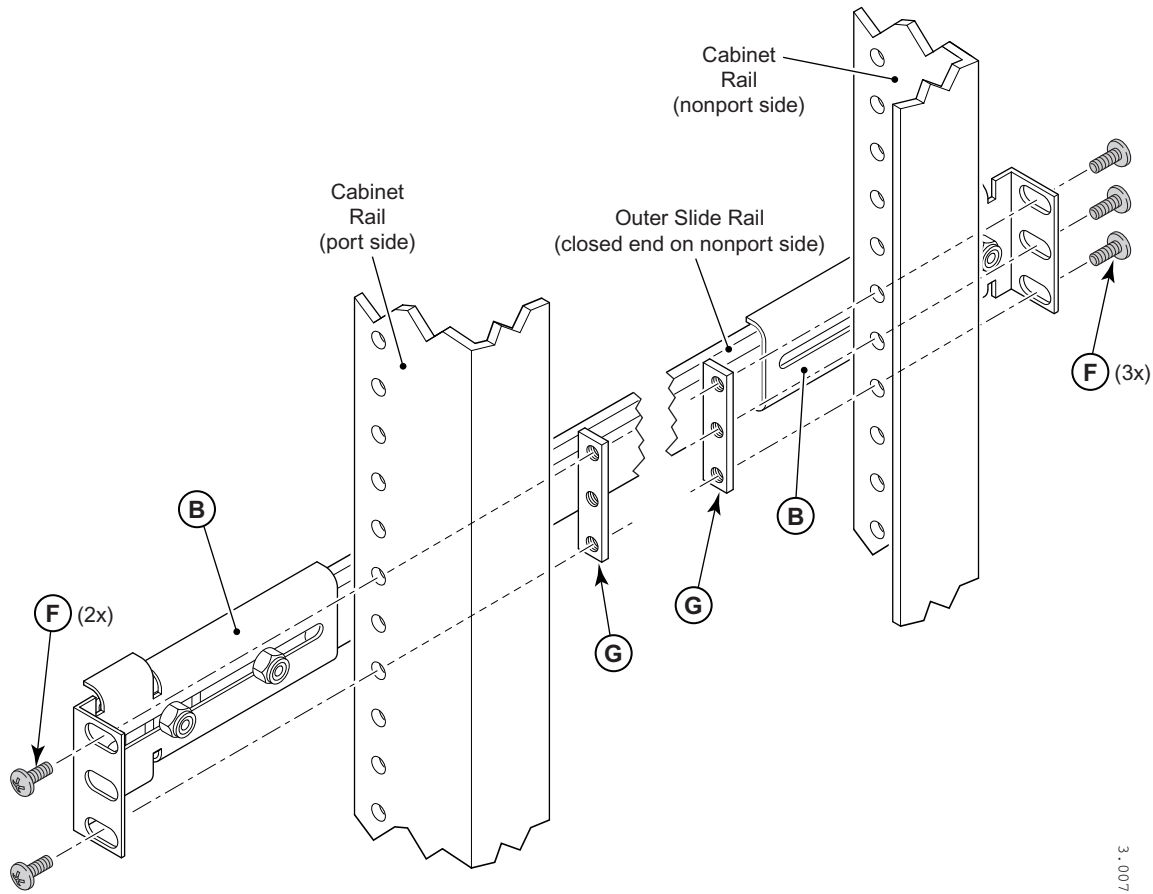


FIGURE 5 Repositioning the L-brackets



3.007

FIGURE 6 Attaching outer slide rails to round-hole cabinet rails

Square-hole cabinet rails (Method A)

Perform the following steps to install the square-hole hardware using method A.

1. On the port side of the outer slide rail, loosen the nuts (Item C) securing the L-bracket (Item B) and extend the end of the bracket beyond the end of the slide rail by 5/8 inch (Figure 7).
Repositioning allows the rack mount brackets to align with the cabinet rails.
2. Position the outer slide rail inside the cabinet rails with the closed ends of the slide rail toward the non-port side of the cabinet (Figure 8).
3. Loosen and adjust the position of the non-port-side L-bracket as necessary.

NOTE

If side cabinet access is not available, measure the depth of the cabinet, loosen the L-bracket on the non-port side, and adjust the bracket position until the total rail length matches the cabinet depth.

4. Attach the L-brackets (Item B) to the cabinet rails using five Phillips 10-32 x 1/2 inch screws (Item F) and five retainer nuts (Item I).

NOTE

Leave the middle hole empty on the port side for securing the rack mount bracket (Item O or M) later (“[Inserting the switch in the cabinet](#)”).

5. Tighten the retainer nuts (Item I) to 15 inch-pounds (17 cm-kg).
6. Repeat [step 1](#) through [step 5](#) for the other rail.

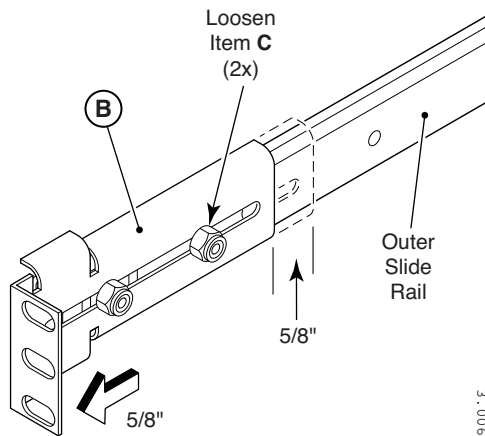
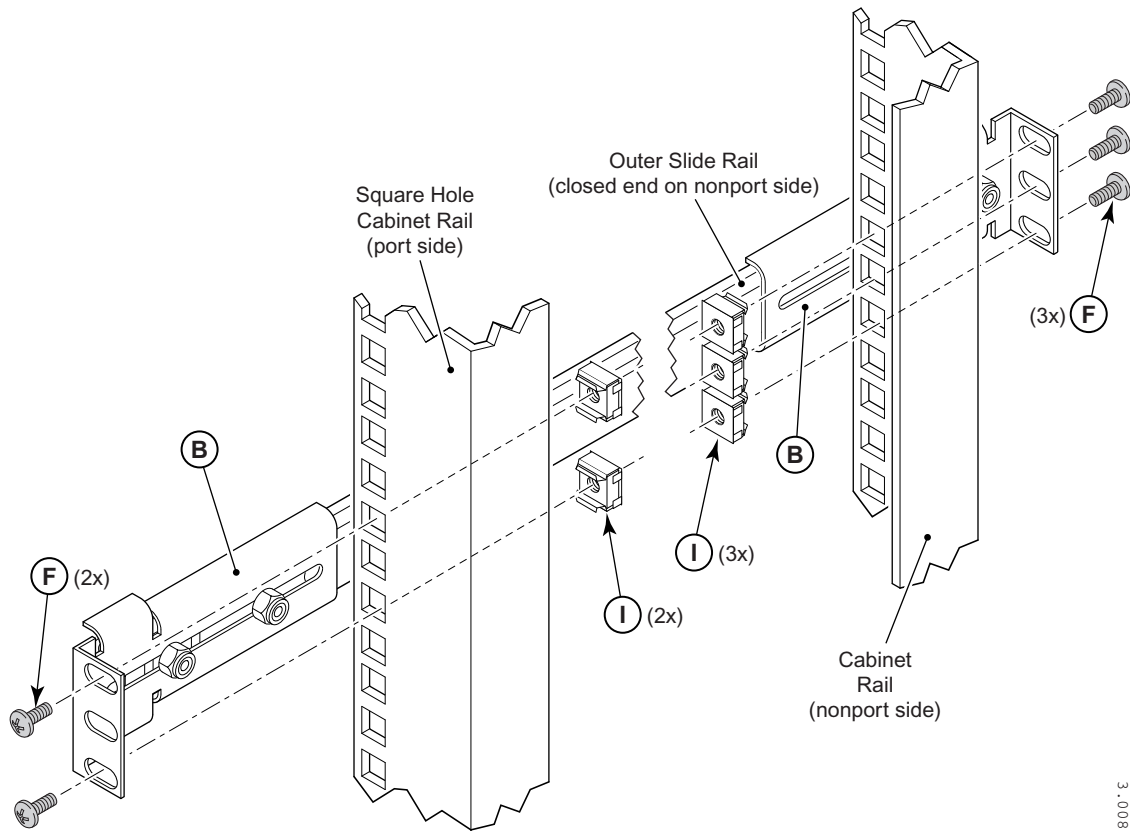


FIGURE 7 Repositioning the L-bracket



3.008

FIGURE 8 Method A for attaching outer slide rails to square-hole cabinet rails

Square-hole cabinet rails (Method B)

Perform the following steps to install the square-hole hardware using method B.

1. On the port side of the outer slide rail, loosen the nuts (Item C) securing the L-bracket (Item B) and extend the end of the bracket beyond the end of the slide rail by 5/8 inch (Figure 9).
Repositioning allows the rack mount brackets to align with the cabinet rails.
2. Position the outer slide rail inside the cabinet rails with the closed ends of the slide rail toward the non-port side of the cabinet (Figure 10).
3. Loosen and adjust the position of the non-port side L-bracket as necessary.

NOTE

If side cabinet access is not available, measure the depth of the cabinet, loosen the L-bracket on the non-port side, and adjust the bracket position until the total rail length matches the cabinet depth.

4. Attach the L-brackets (Item B) to the cabinet rails using five Phillips 10-32 x 1/2 inch screws (Item F), six alignment washers (Item H), and two of the three-hole nut bars (Item G).

NOTE

Leave the middle hole empty on the port side for securing the rack mount bracket (Item O or M) later (“[Inserting the switch in the cabinet](#)”); however, position an alignment washer (Item H) between the L-bracket (Item B) and the cabinet rail.

5. Tighten the screws to 15 inch-pounds (17 cm-kg).
6. Repeat [step 1](#) through [step 5](#) for the other rail.

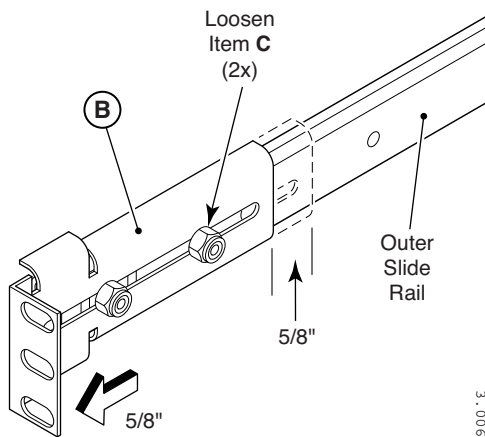


FIGURE 9 Repositioning the L-bracket

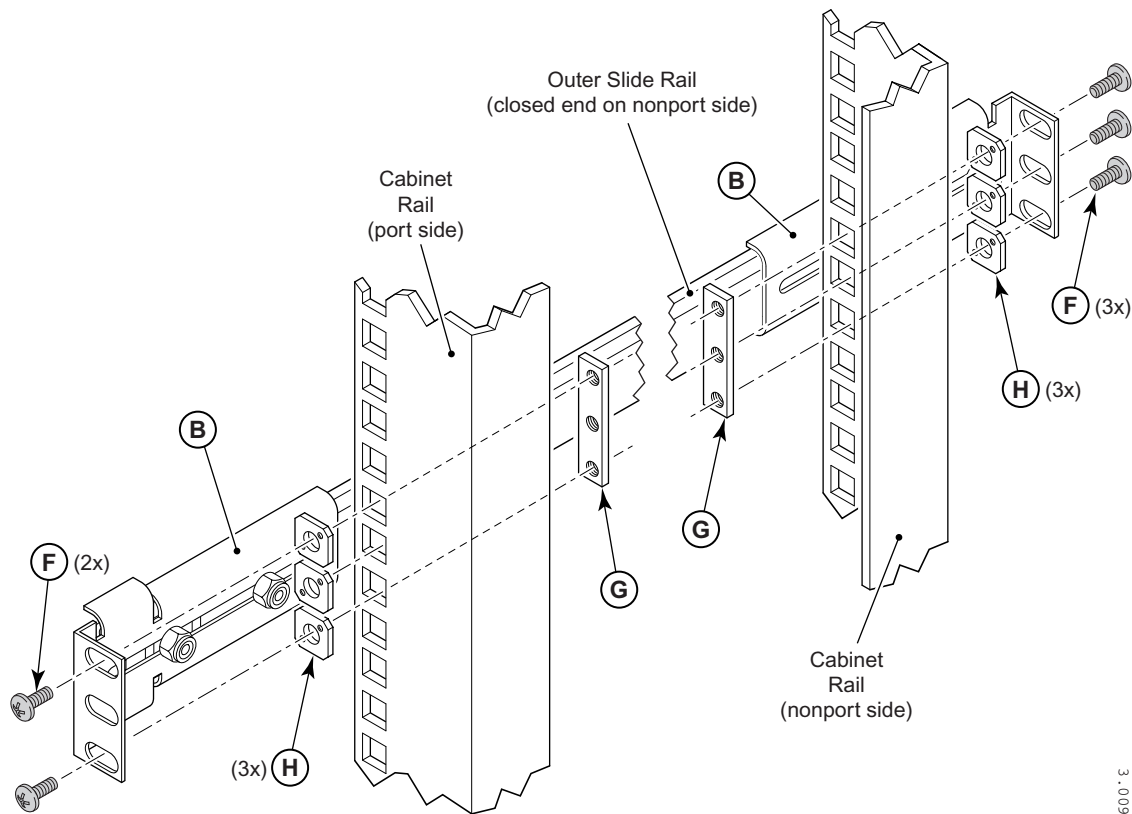


FIGURE 10 Method B for attaching outer slide rails to square-hole cabinet rails

Inserting the switch in the cabinet

Perform the following steps to install the switch in the cabinet.

1. Position the power cord clips (Item E) on the outer surface of both outer slide rails ([Figure 11](#)).
Ensure that the clips do not interfere with the movement of the rails. Position all the clips either with the tabs above or with the tabs below the rail.
2. Insert the power cords into the power cord clips, with the power cord prongs pointing toward the power source ([Figure 12](#)).

NOTE

Allow a minimum service loop of 6 inches at the switch to ensure freedom to plug and unplug the power cords. Ensure that the power cords route completely outside of the slide rails.

NOTE

Ensure that the power cords align in the clips and do not fall inside the slide rails. To prevent the cords from being pulled out of the clips, unplug the cords from the switch before moving the switch on the slide rails.

3. Position the switch next to the cabinet; align and insert the inner rails inside the outer rails ([Figure 13](#)).

4. Gently slide the switch into the cabinet; check rail alignment by sliding the switch out and back into the cabinet. If there is any resistance, pull the switch out of the cabinet and realign the slide rails.
5. Secure the rack mount brackets (Items L and M, Items J and K, or Item O) to the cabinet rails using one Phillips 10-32 x 1/2 inch screw (Item F) per bracket and tighten the screws to a torque of 25 inch-pounds (29 cm-kg).

For square-hole cabinet rail method A installations, use the remaining retainer nut (Item I) to secure the screw.

See [Figure 14](#) for a round-hole cabinet rail; see [Figure 15](#) (Method A) or [Figure 16](#) (Method B) for a square-hole cabinet rail.

ATTENTION

Do not connect the switch to the network until the IP address is correctly set. For power-on and configuration instructions, refer to the hardware reference manual for the switch.

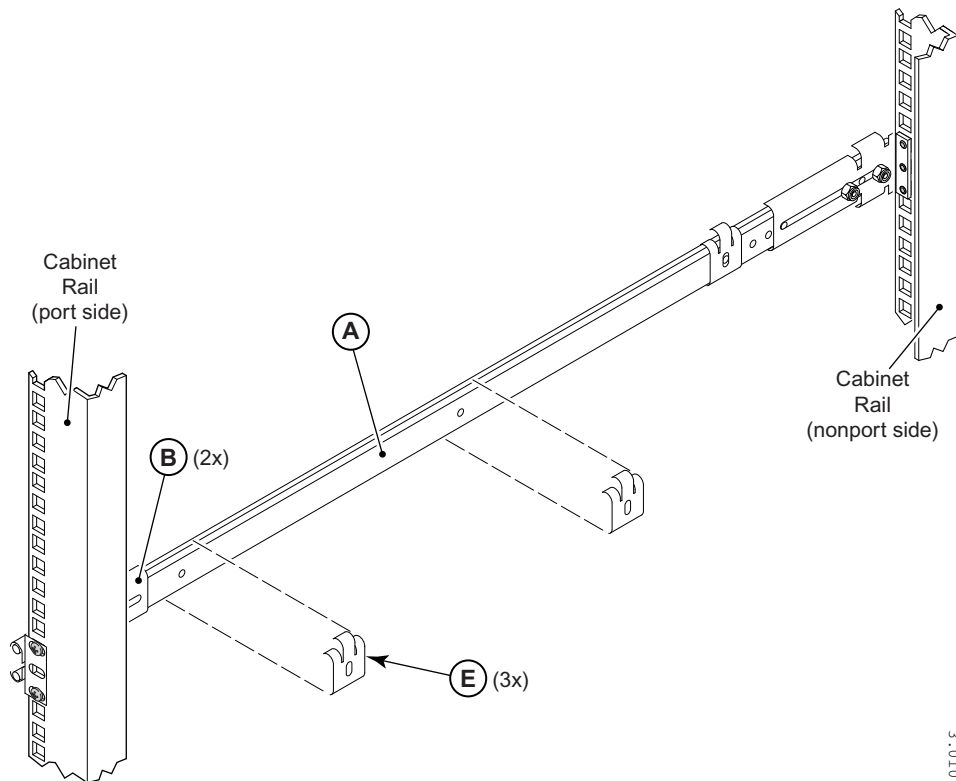


FIGURE 11 Attaching power cord clips

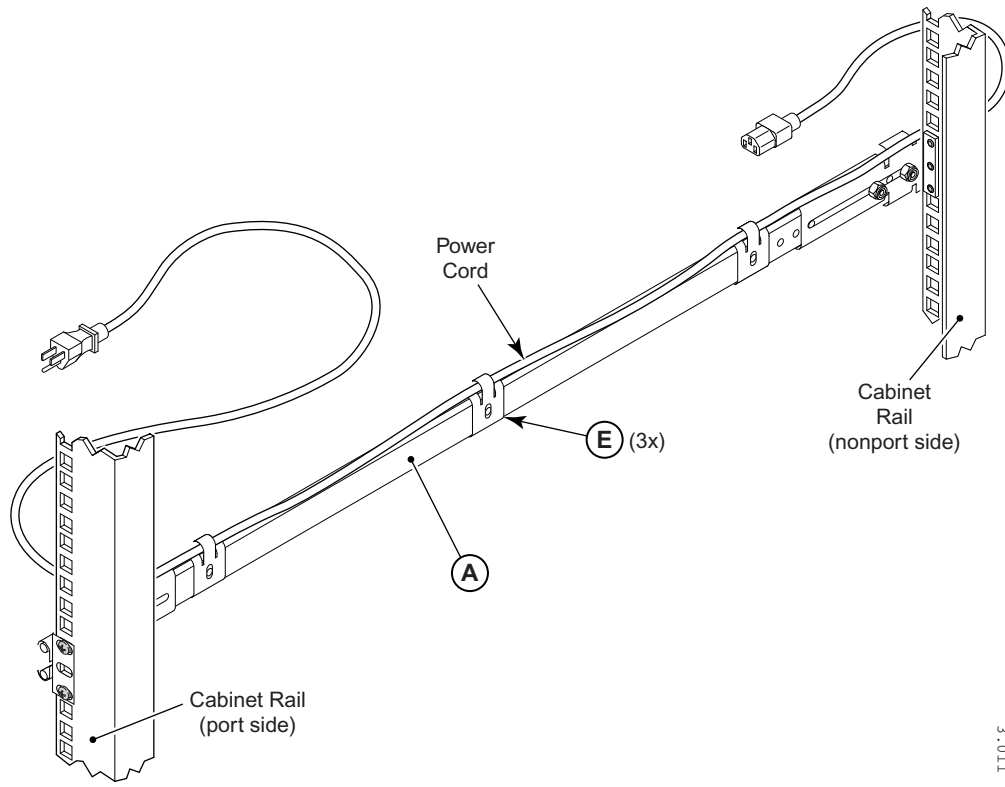


FIGURE 12 Inserting power cords in clips

3.011

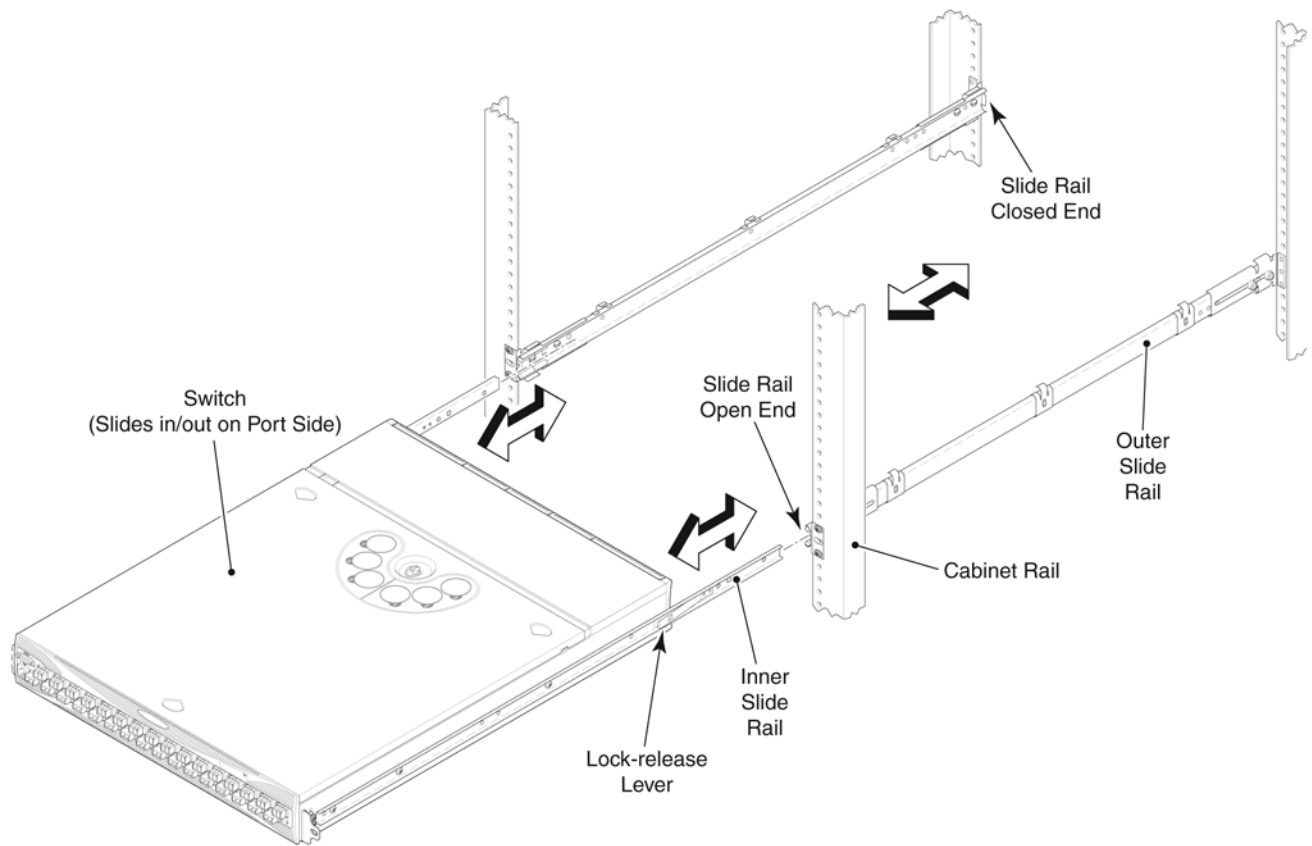


FIGURE 13 Inserting the switch

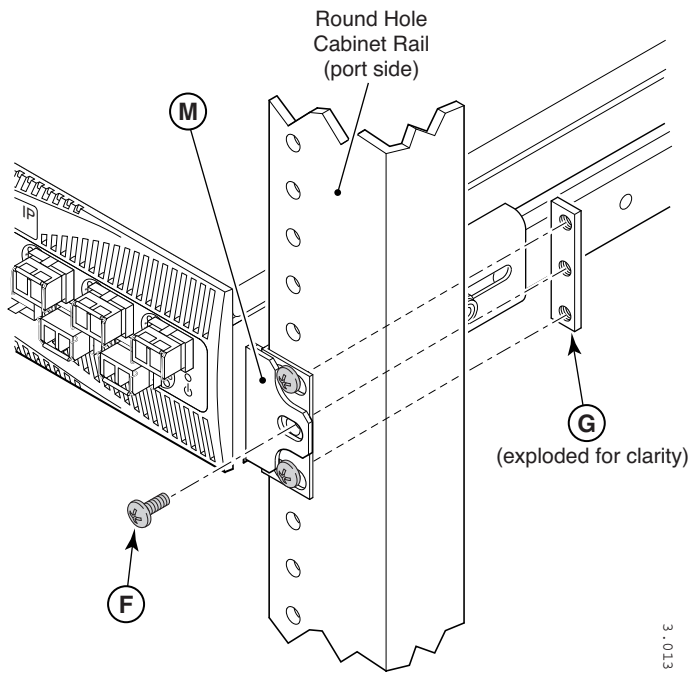


FIGURE 14 Securing rack mount brackets for round-hole cabinet rails

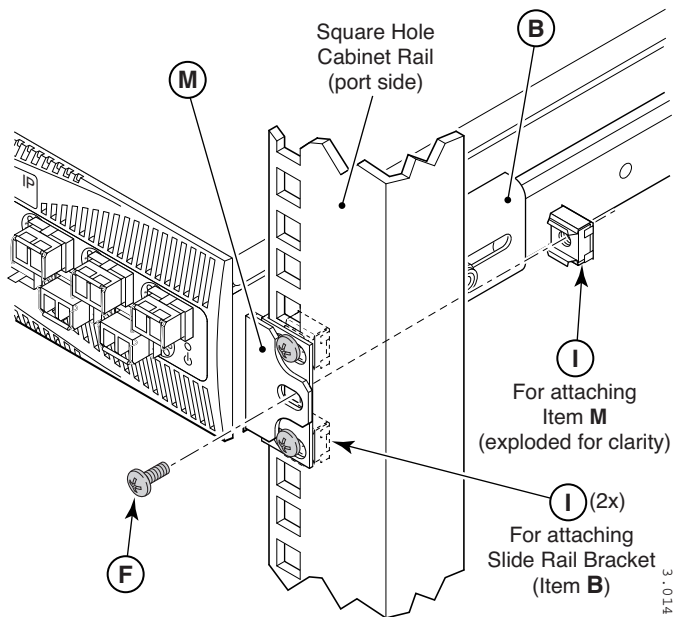


FIGURE 15 Method A for securing rack mount brackets for square-hole cabinet rails

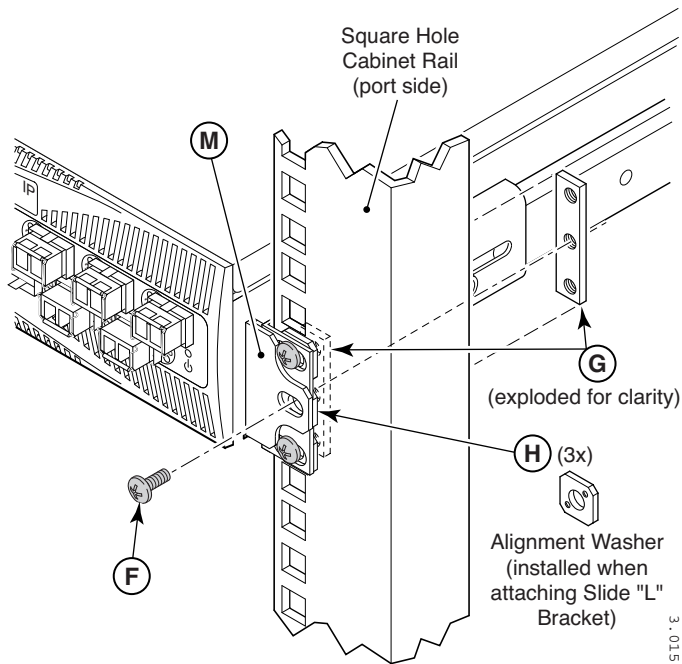


FIGURE 16 Method B for securing rack mount brackets for square-hole cabinet rails

