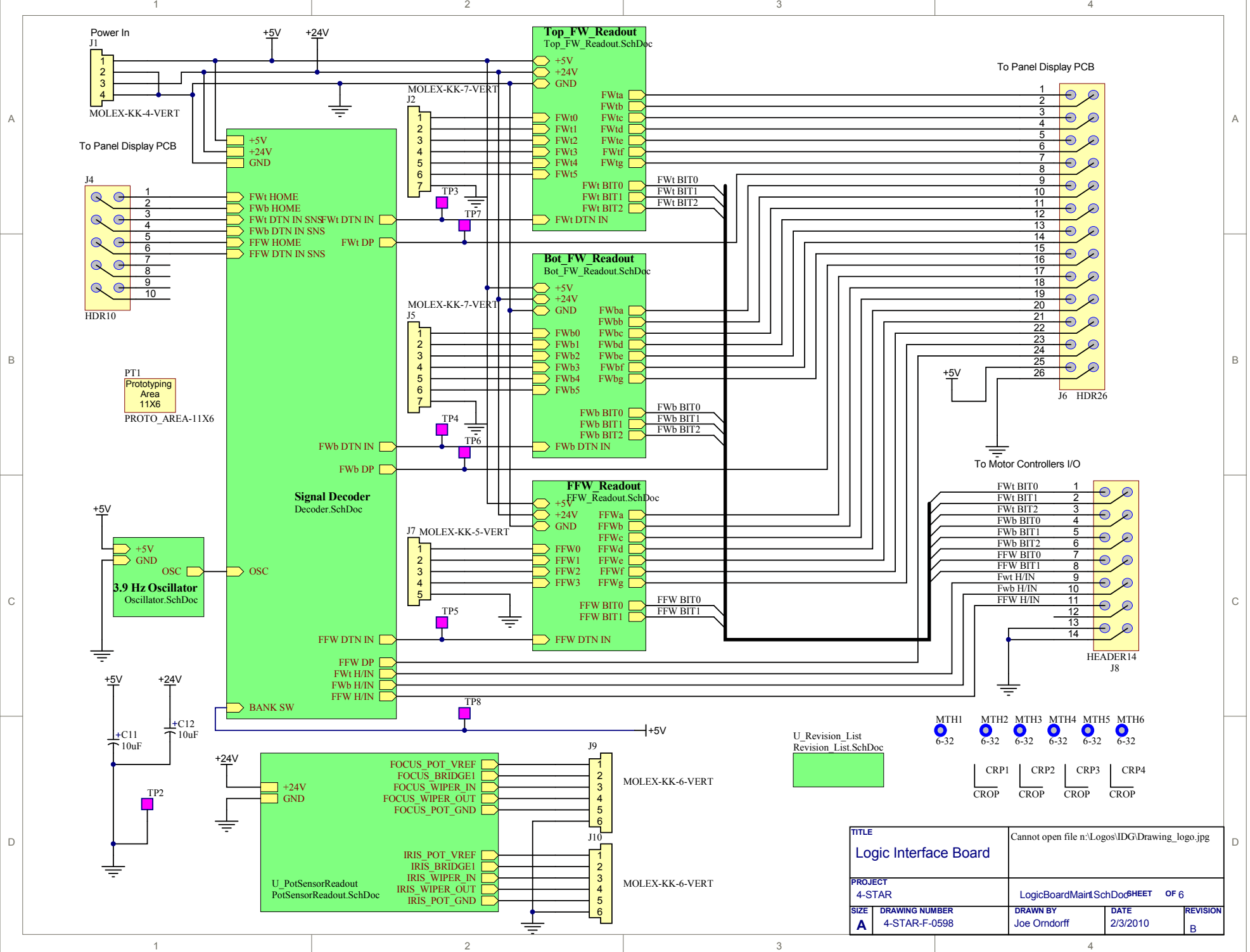
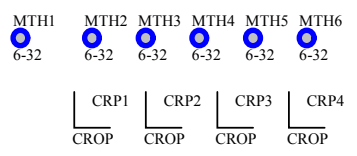


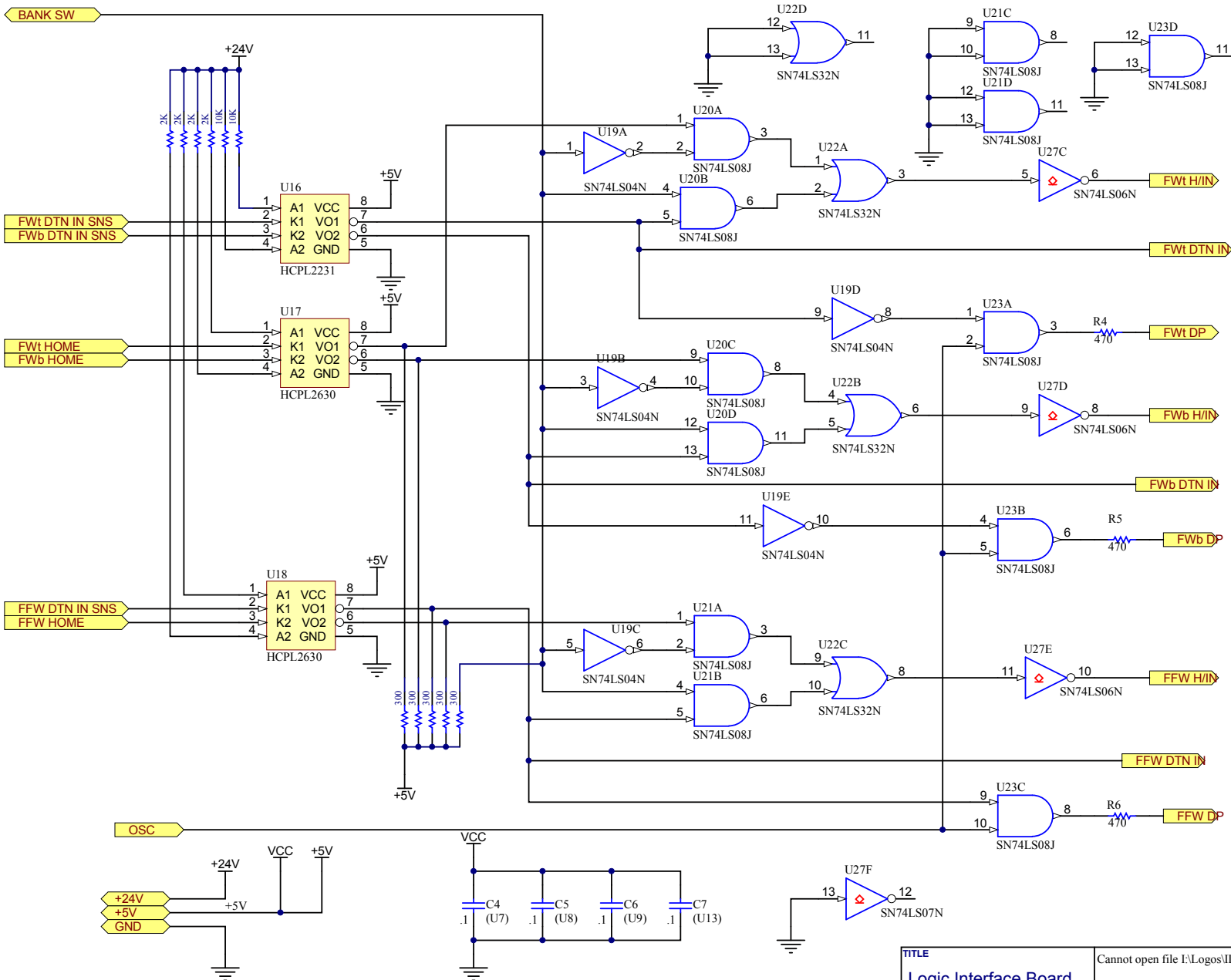
TITLE		Cannot open file n:\Logos\IDG\Drawing_logo.jpg		
Logic Interface Board				
PROJECT		PotSensorReadout.SchDoc SHEET 6 OF 6		
4-STAR				
SIZE	DRAWING NUMBER	DRAWN BY	DATE	REVISION
A	4-STAR-F-0598	Joe Orndorff	2/3/2010	B



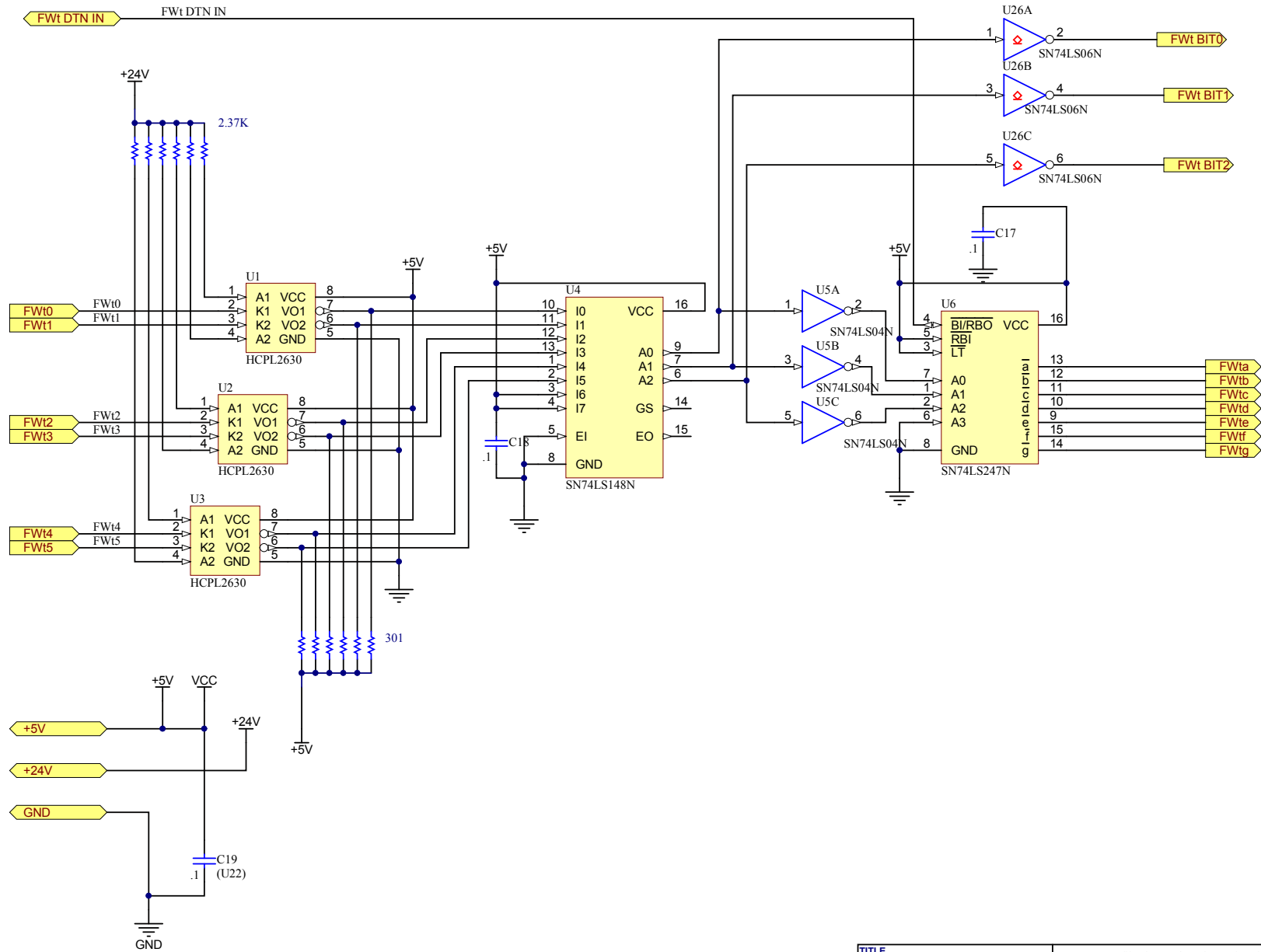
U_Revision_List
Revision_List.SchDoc



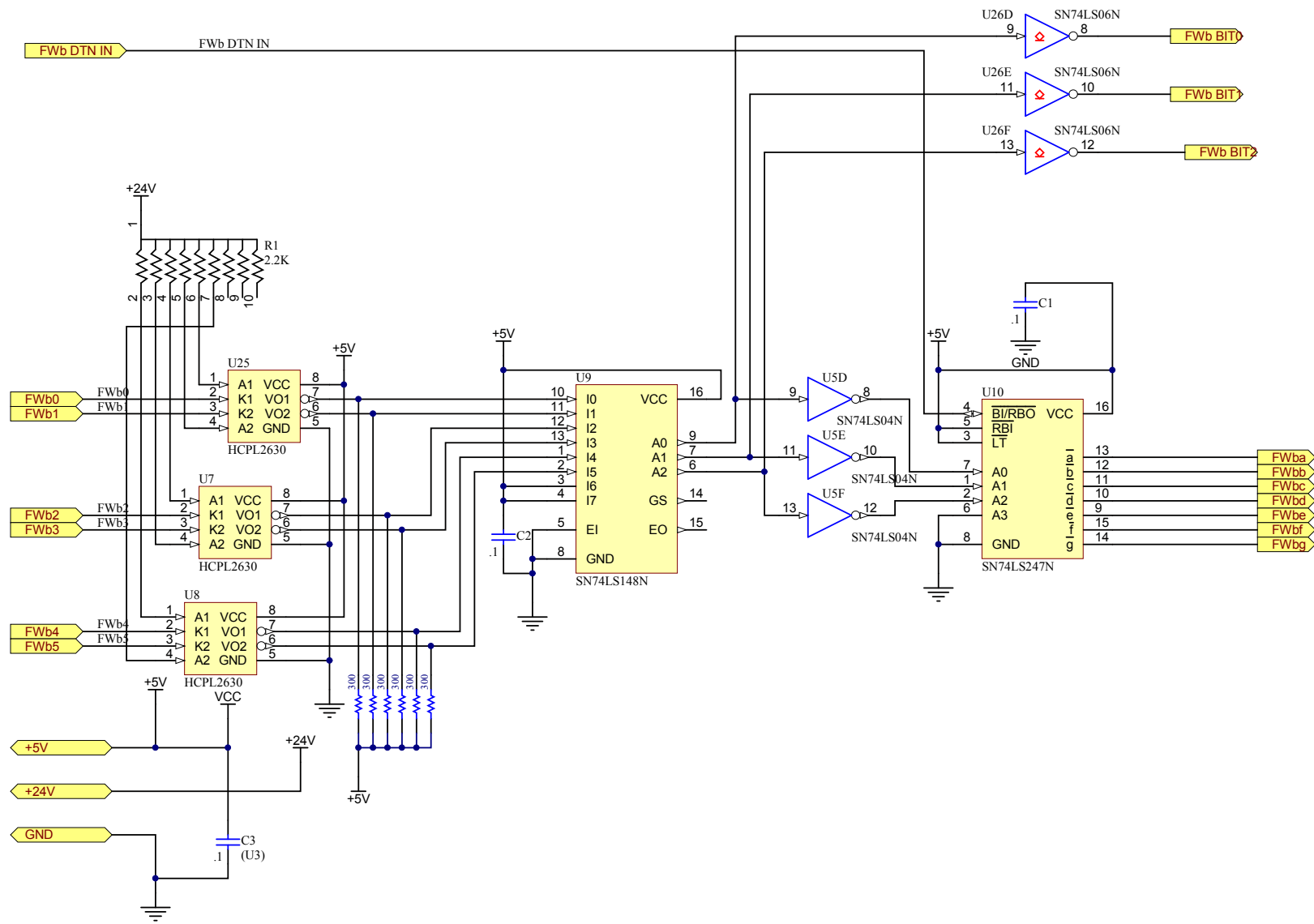
TITLE Logic Interface Board		Cannot open file n:\Logos\IDG\Drawing_logo.jpg		
PROJECT 4-STAR		LogicBoardMairt1SchDoc SHEET OF 6		
SIZE A	DRAWING NUMBER 4-STAR-F-0598	DRAWN BY Joe Orndorff	DATE 2/3/2010	REVISION B



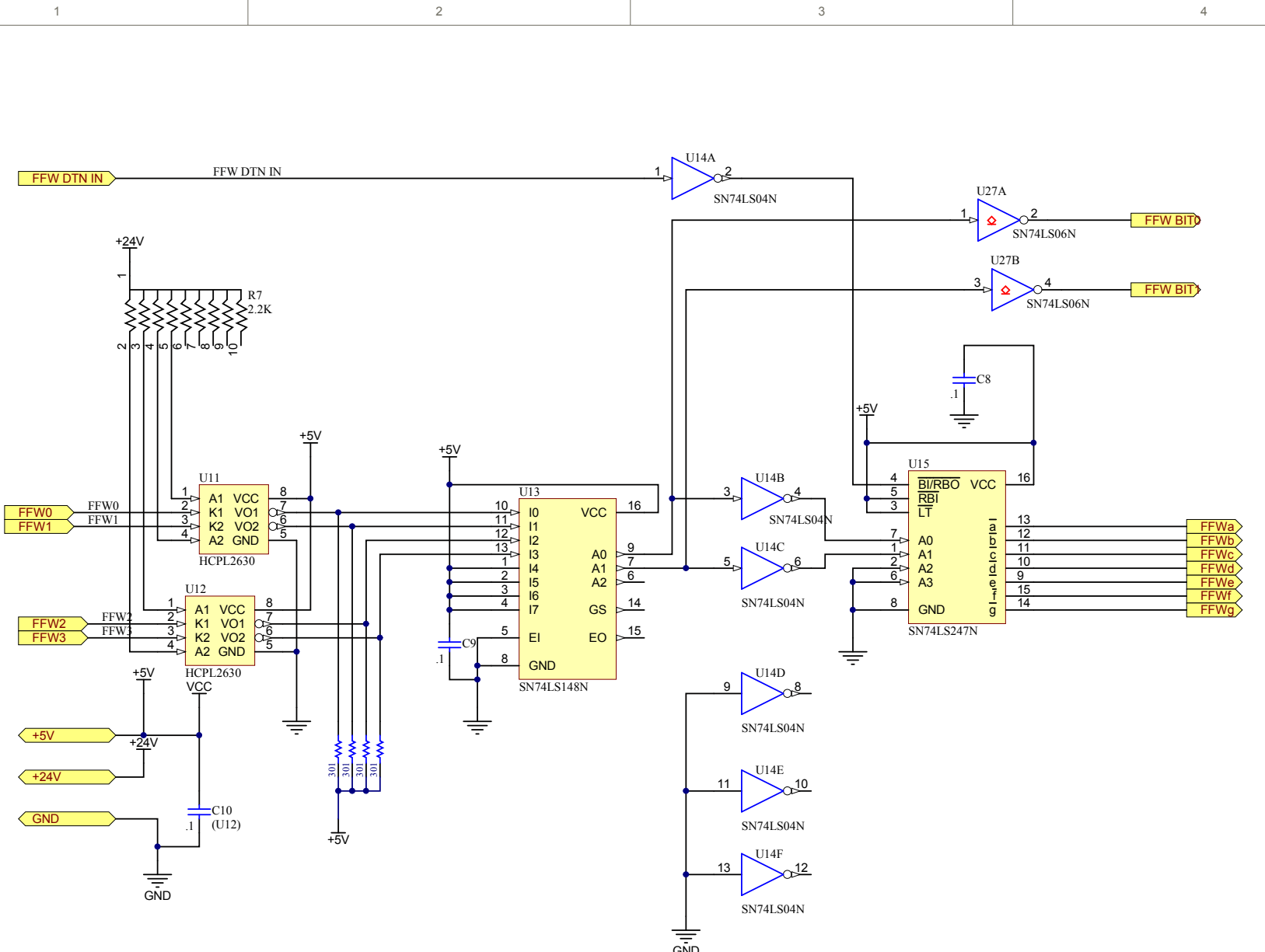
TITLE Logic Interface Board		Cannot open file I:\Logos\IDG\Drawing_logo.jpg		
PROJECT 4-STAR		Decoder.SchDoc		SHEET 2 OF 7
SIZE A	DRAWING NUMBER 4-STAR-F-0598	DRAWN BY Joe Orndorff	DATE 2/3/2010	REVISION B



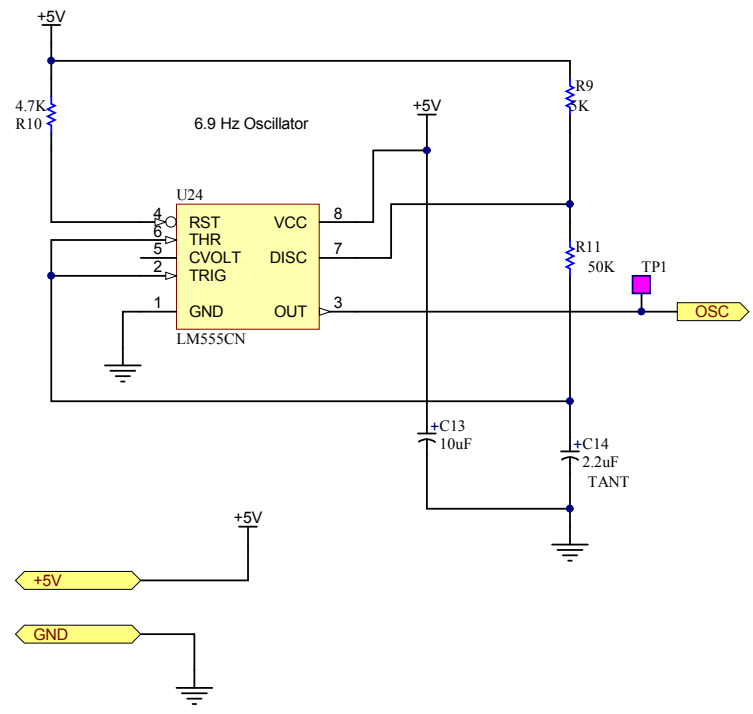
TITLE		Cannot open file I:\Logos\IDG\Drawing_logo.jpg		
Logic Interface Board				
PROJECT		Top_FW_Readout.SchDoc SHEET 3 OF 7		
4-STAR				
SIZE	DRAWING NUMBER	DRAWN BY	DATE	REVISION
A	4-STAR-F-0598	Joe Orndorff	2/3/2010	B



TITLE		Cannot open file I:\Logos\IDG\Drawing_logo.jpg		
Logic Interface Board				
PROJECT		Bot_FW_Readout.SchDoc SHEET 4 OF 7		
4-STAR				
SIZE	DRAWING NUMBER	DRAWN BY	DATE	REVISION
A	4-STAR-F-0598	Joe Orndorff	2/3/2010	B



TITLE		Cannot open file I:\Logos\IDG\Drawing_logo.jpg		
Logic Interface Board				
PROJECT		FFW_Readout.SchDoc SHEET 5 OF 7		
4-STAR				
SIZE	DRAWING NUMBER	DRAWN BY	DATE	REVISION
A	4-STAR-F-0598	Joe Orndorff	2/3/2010	B



TITLE		Cannot open file I:\Logos\IDG\Drawing_logo.jpg		
Logic Interface Board				
PROJECT		Oscillator.SchDoc SHEET 6 OF 7		
4-STAR				
SIZE	DRAWING NUMBER	DRAWN BY	DATE	REVISION
A	4-STAR-F-0598	Joe Orndorff	2/3/2010	B

Revision	Description	Engineer	Date
A	Added 74LS07 Open Collector Buffers for MAX310 Inputs	Joe Orndorff	11-30-2007
B	Numerous fixes and updates	Joe Orndorff	06-30-2008

Numerous changes for logic board such as correct resistors for optoisolators, other logic changes - DCM, 2-2010

TITLE Logic Interface Board		Cannot open file I:\Logos\IDG\Drawing_logo.jpg		
PROJECT 4-STAR		Revision_List.SchDoc		SHEET 7 OF 7
SIZE A	DRAWING NUMBER 4-STAR-F-0598	DRAWN BY Joe Orndorff	DATE 2/3/2010	REVISION A

1 2 3 4 5 6

A

B

C

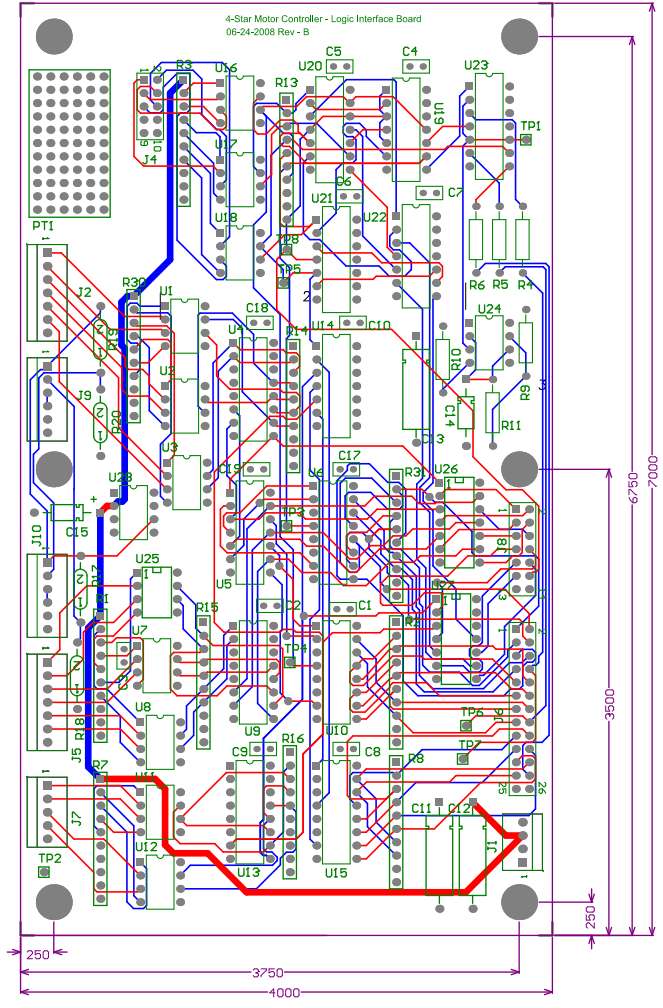
D

A

B

C

D



ENGINEER:	TITLE:	
PCB DESIGNER:		
DATE: 05-12-2006	PART NO.:	REV:
FILE NAME: 4-STAR-0598-Rev-B.PcbDdc	DWG NO.:	SCALE:

1 2 3 4 5 6