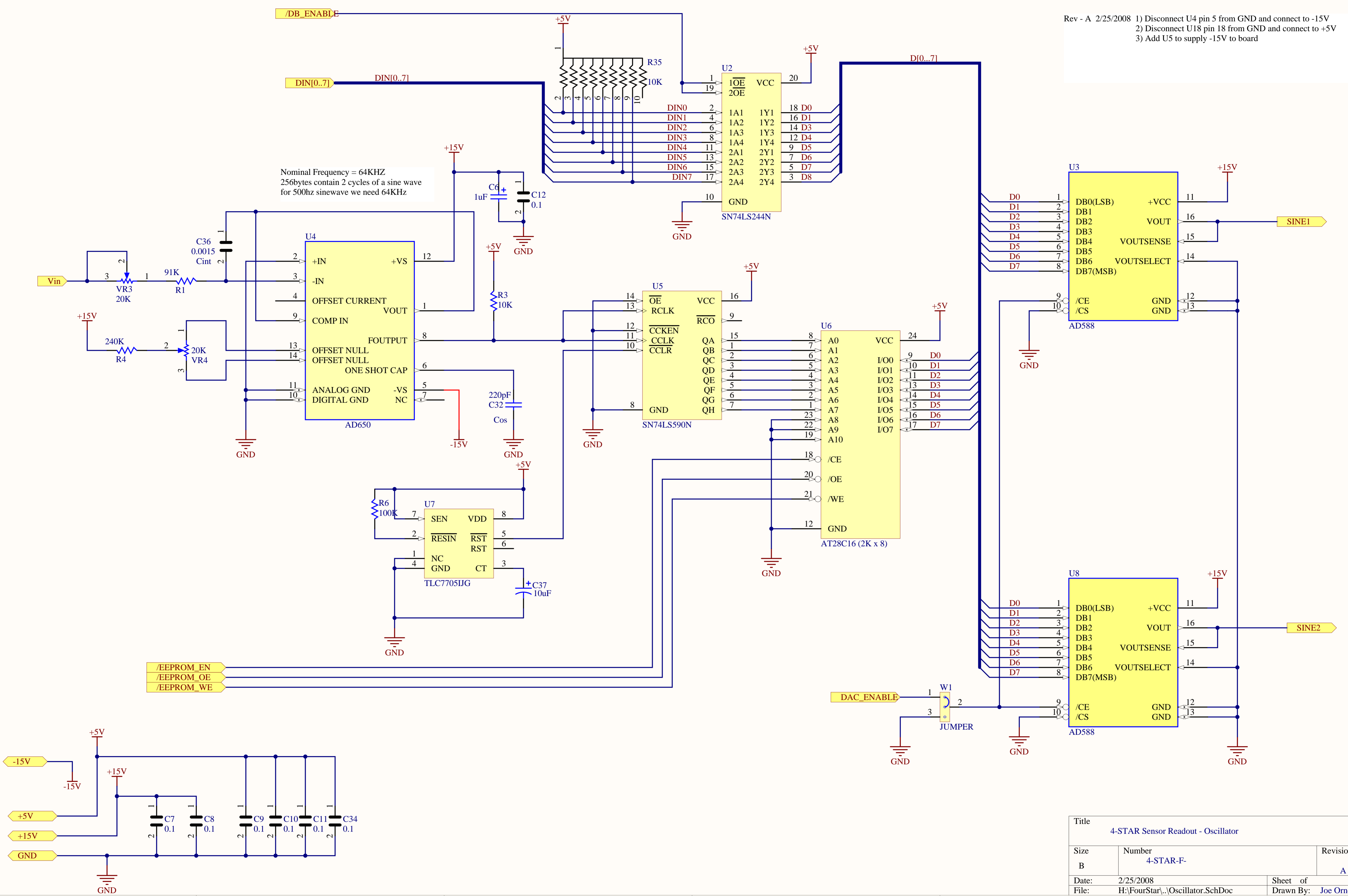


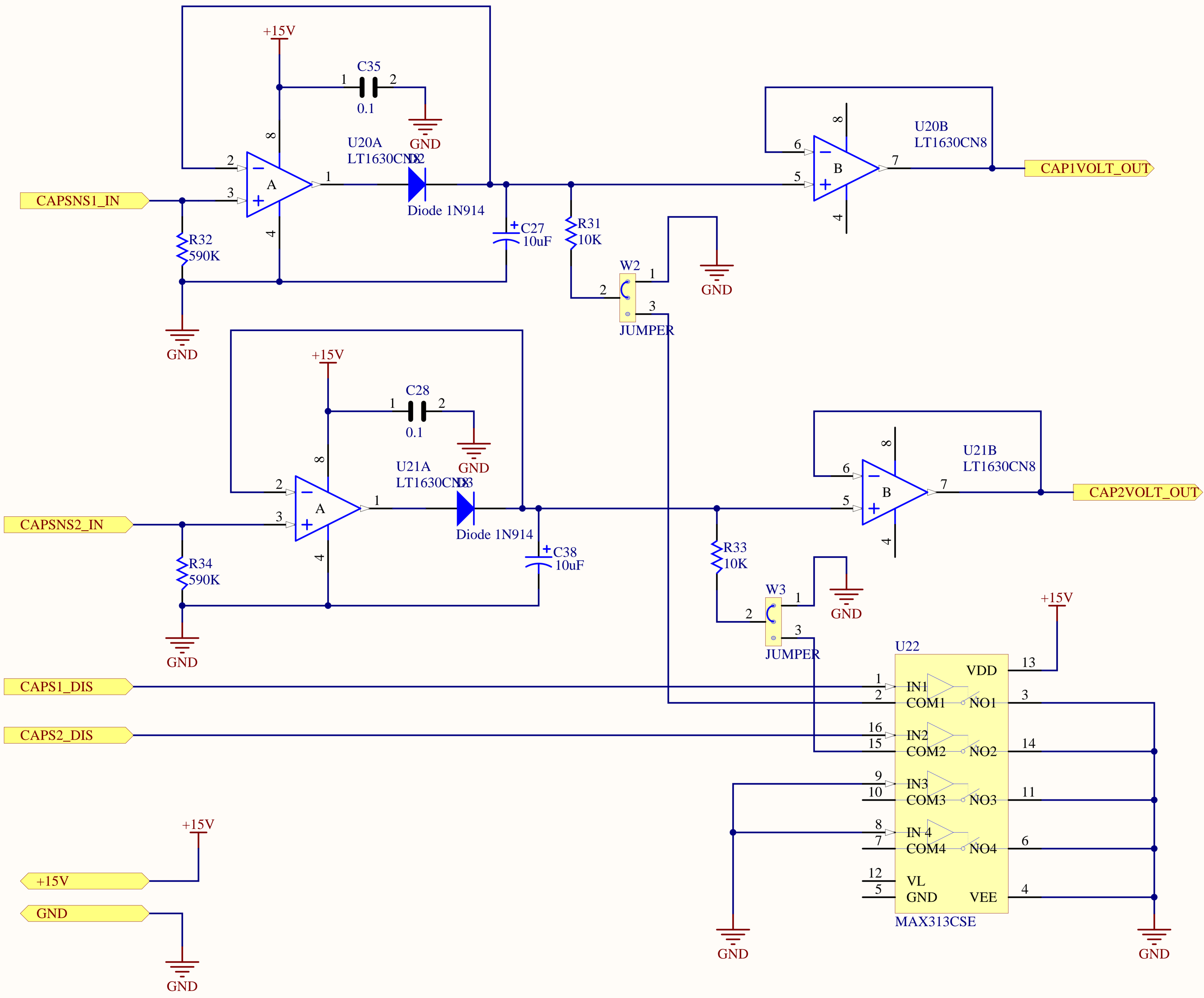
Title		
LN2 Level and Sensor Board		
Size	Number	Revision
A	4-STAR-F-0771	-
Date:	2/25/2008	Sheet 1 of 4
File:	H:\FourStar\...\4StarSensorBdMain.SchDoc Drawn By: Joe Orndorff	



Rev - A 2/25/2008 1) Disconnect U4 pin 5 from GND and connect to -15V
 2) Disconnect U18 pin 18 from GND and connect to +5V
 3) Add U5 to supply -15V to board

Nominal Frequency = 64KHZ
 256bytes contain 2 cycles of a sine wave
 for 500hz sinewave we need 64KHz

Title		
4-STAR Sensor Readout - Oscillator		
Size	Number	Revision
B	4-STAR-F-	A
Date:	2/25/2008	Sheet of
File:	H:\FourStar\...\Oscillator.SchDoc	Drawn By: Joe Orndorff



Title		
Size	Number	Revision
A		A
Date:	2/25/2008	Sheet of
File:	H:\FourStar\...\PeakDetector.SchDoc	Drawn By:

