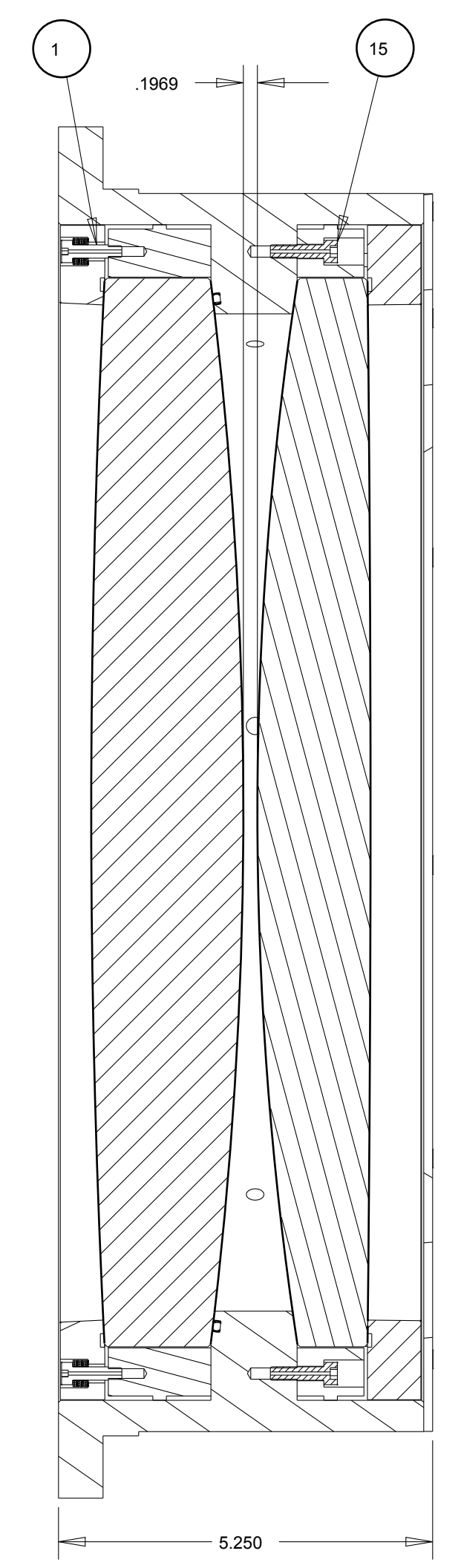
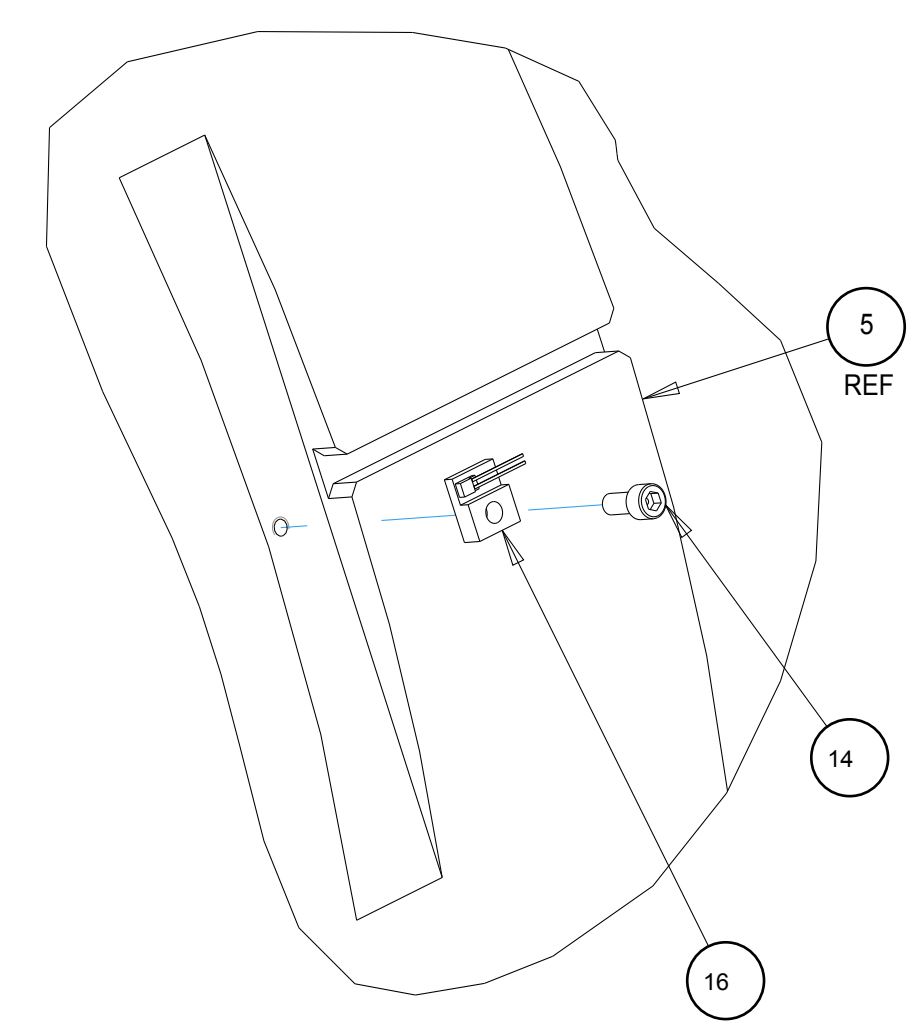


SCALE 3/8



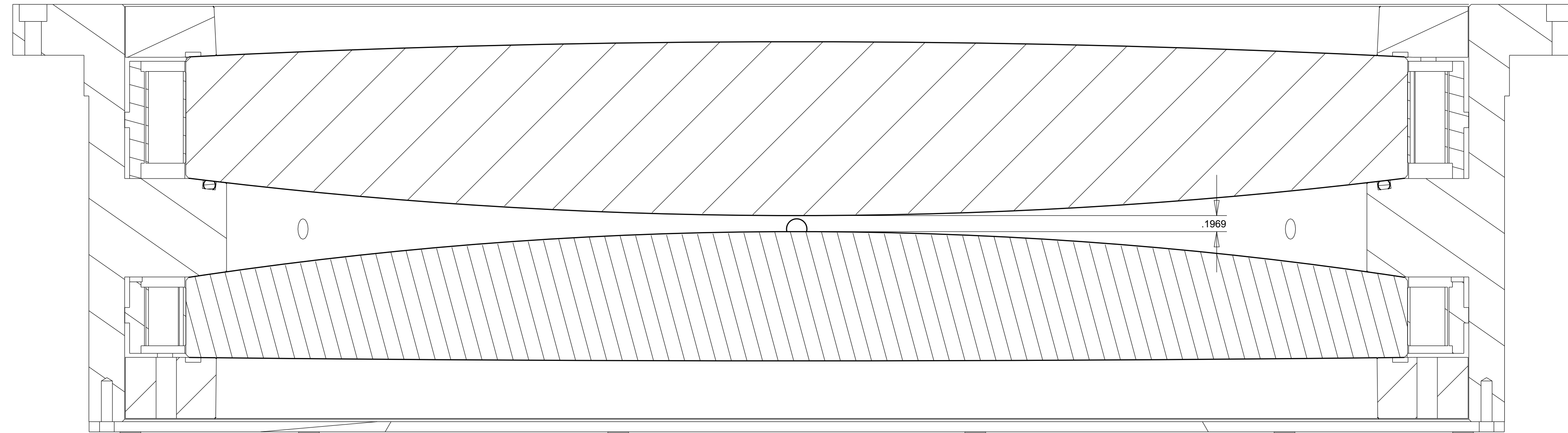
SECTION C-C



DETAIL A
SCALE 1/1

ITEM #	DWG. #	DESCRIPTION	QTY.
1	4-STAR-054	Window Retainer Spring Assm	12
2	4-STAR-060	Retainer Screw Assm	12
3	4-STAR-F-0021_AB	L1	1
4	4-STAR-F-0022_AB	L2	1
5	4-STAR-F-0023	Window Cell	1
6	4-STAR-F-0163	L1 CELL	1
7	4-STAR-F-0164	L1 RETAINER	1
8	4-STAR-F-0165	L2 Cell	1
9	4-STAR-F-0166	L2 RETAINER	1
10	4-STAR-F-0212	Window Radiation Baffle	1
11	4-STAR-P-0042	10-32 X 1 Vented SS SHCS, McMaster #93235A247	12
12	4-STAR-P-0215	4-40 X 1/4 Vented SS FSHCS, U-C Comp #FA-404	12
13	4-STAR-P-0306	Window O-Ring, Ball Valve and Fitting Co #???	1
14	4-STAR-P-0541	4-40 X 1/4 SS SHCS Vented	1
15	4-STAR-P-0767	10-32 X 3/4 Vented SHCS, McMaster #93235A245	12
16	4-STAR-P-0871	Silicon Diode	1

		4-STAR			
		A. HARDING	10/06/08	Window Assm	
4-STAR-002	S. SMEE	D	4-STAR-008	-	
		1/2		1 OF 2	



SECTION A-A
SCALE 1 : 1

	4-STAR			
	A. HARDING	02/18/09	Window Assm	
4-STAR-002	S. SMEE	D	4-STAR-008	-
		1/1	2 OF 2	