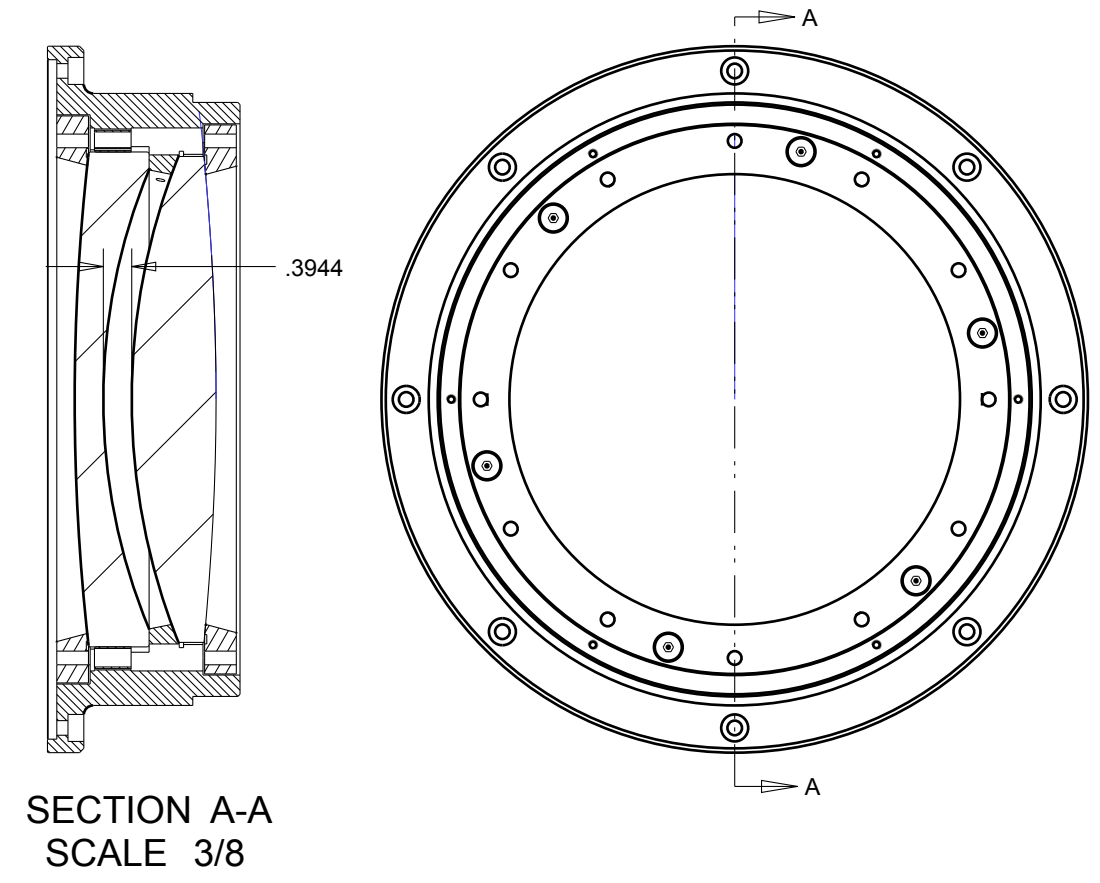
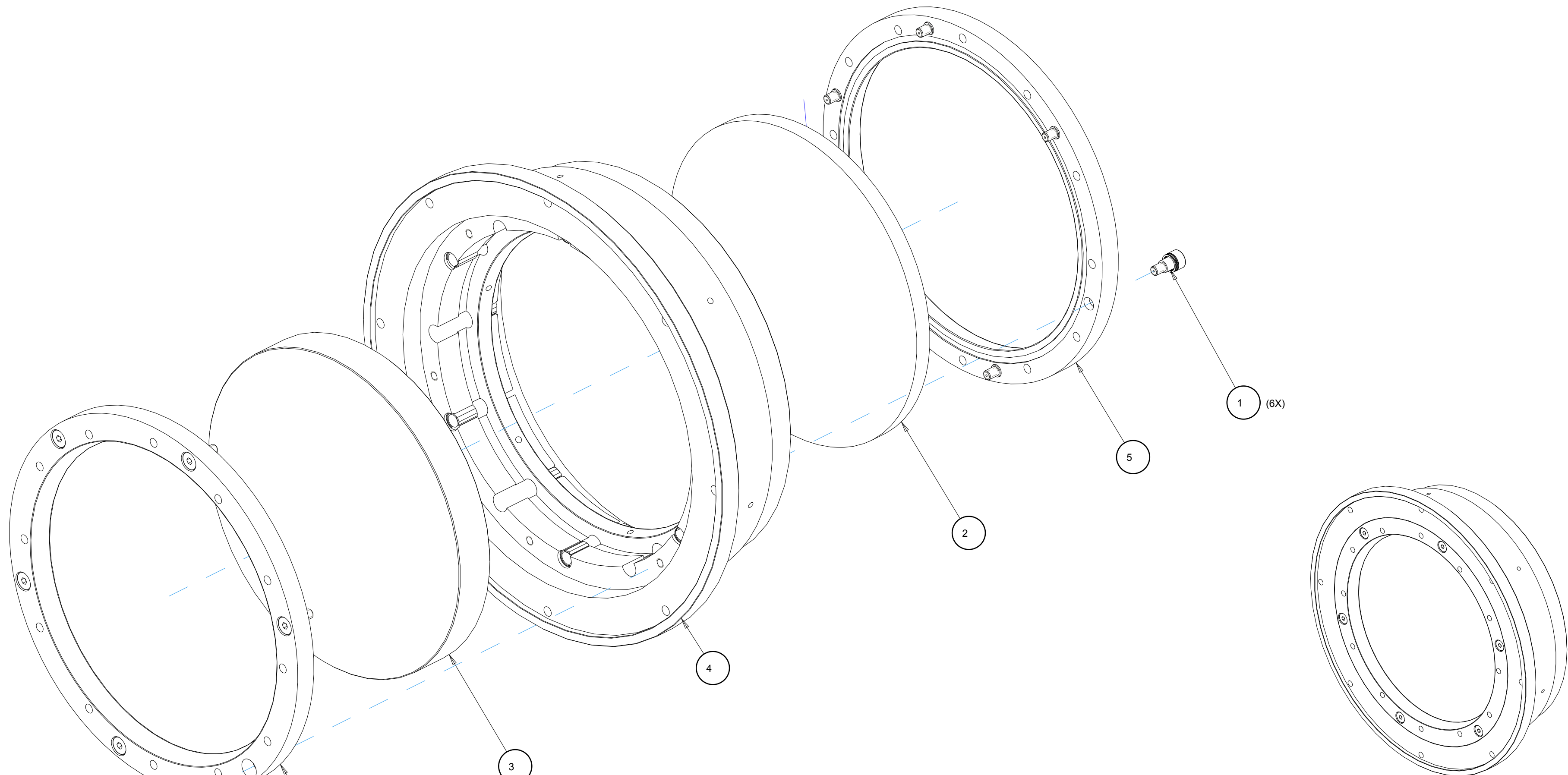


REV.	DESCRIPTION	DATE	APPROVAL
------	-------------	------	----------



SCALE 3/8

ITEM #	DWG. #	DESCRIPTION	QTY.
1	4-STAR-012	CM Retainer Spring Assm	12
2	4-STAR-F-0016_AB	L3	1
3	4-STAR-F-0017_AB	L4	1
4	4-STAR-F-0034	L3-L4 Cell	1
5	4-STAR-F-0035	L3 RETAINER	1
6	4-STAR-F-0038	L4 RETAINER	1

<b>4-STAR</b>		<b>L3-L4 Cell Assm</b>	
4-STAR-016	S. SMEE	C	4-STAR-013
		5/8	1 OF 1