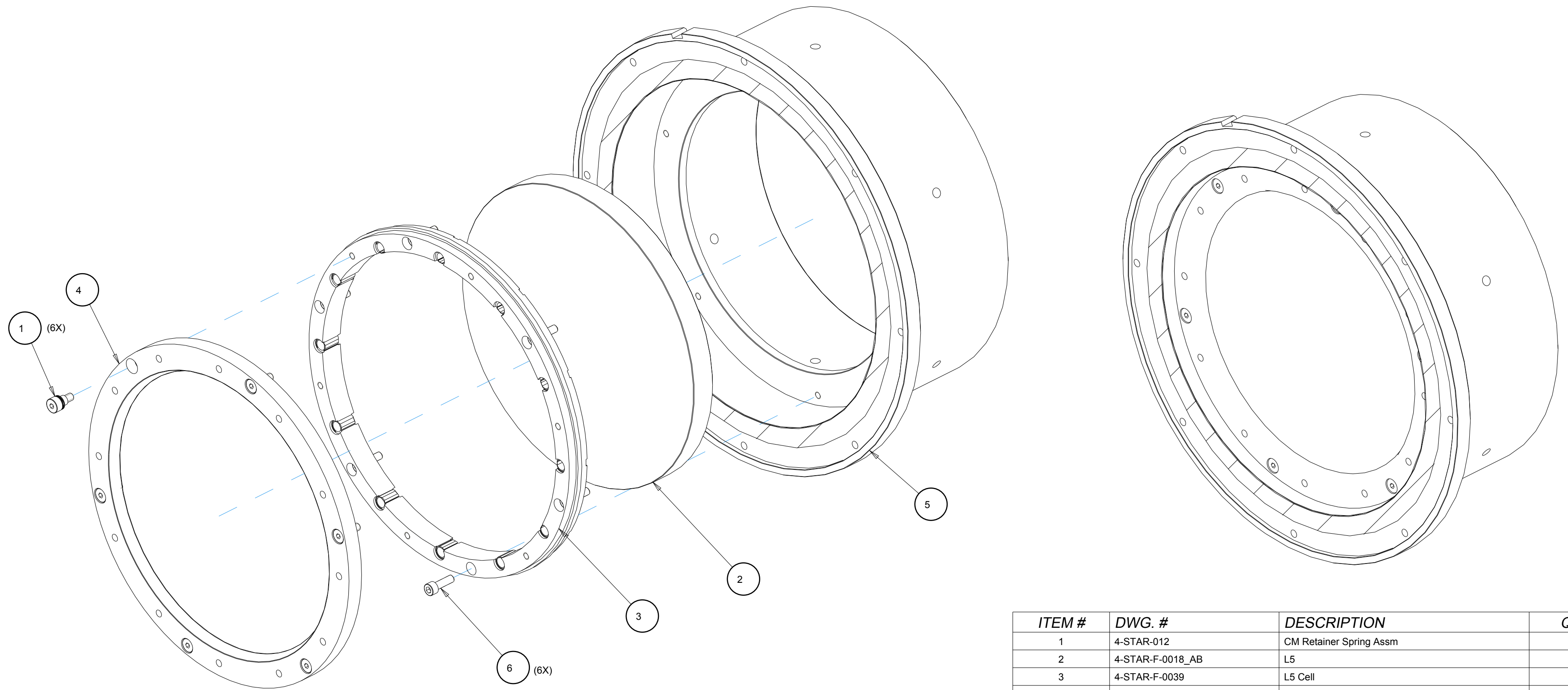


REV.	DESCRIPTION	DATE	APPROVAL
------	-------------	------	----------



ITEM #	DWG. #	DESCRIPTION	QTY.
1	4-STAR-012	CM Retainer Spring Assm	6
2	4-STAR-F-0018_AB	L5	1
3	4-STAR-F-0039	L5 Cell	1
4	4-STAR-F-0040	L5 RETAINER	1
5	4-STAR-F-0041	L5 Barrel	1
6	4-STAR-P-0753	10-32 X 5/8 Vented SHCS, McM #93235A244	6

4-STAR			
A. HARDING	10/06/08	L5 Cell Assm	
4-STAR-016	S. SMEE	C	4-STAR-014
		1/2	1 OF 1