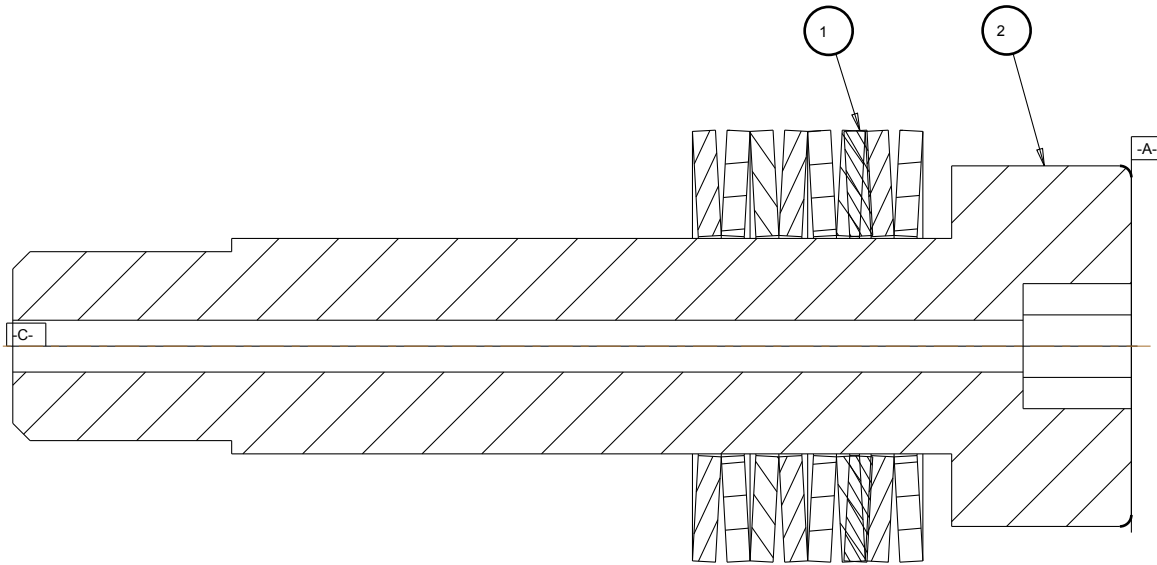


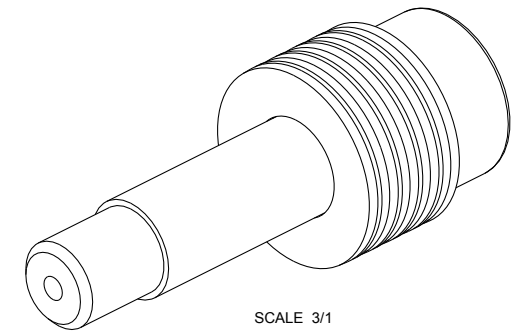
NOTE:

1. PROPER ORIENTATION OF WASHERS IS CRITICAL.

REV.	DESCRIPTION	DATE	APPROVAL
------	-------------	------	----------



SECTION A-A



SCALE 3/1

ITEM #	DWG. #	DESCRIPTION	QTY.
1	4-STAR-P-0189	Belleville Wshr, .19 ID, 0.375 OD,t=.02, McMaster 713K59	9
2	4-STAR-P-0190	3/16 X 5/8 Vented Shlder Bolt	1
		4-STAR	
		A. HARDING	04/06/06
		Retainer Screw Assm	
4-STAR-008	S. SMEE	A	4-STAR-060
		6/1	1 OF 1