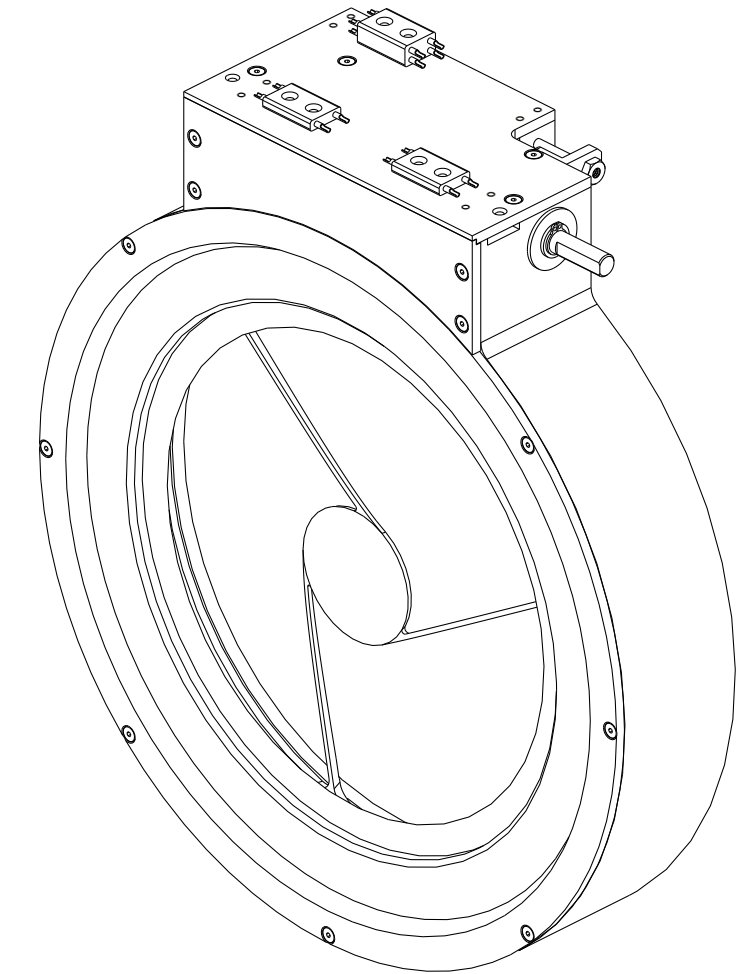
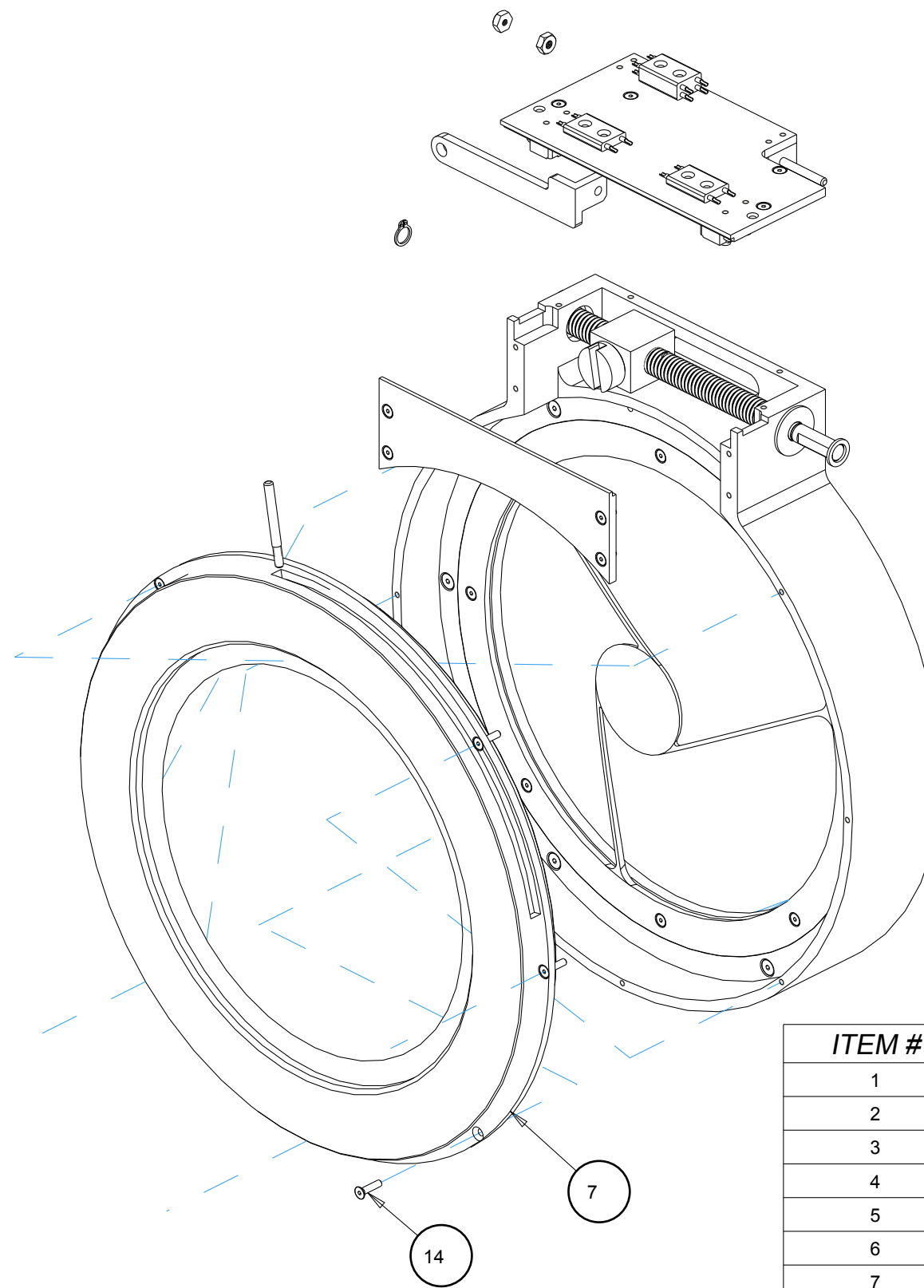
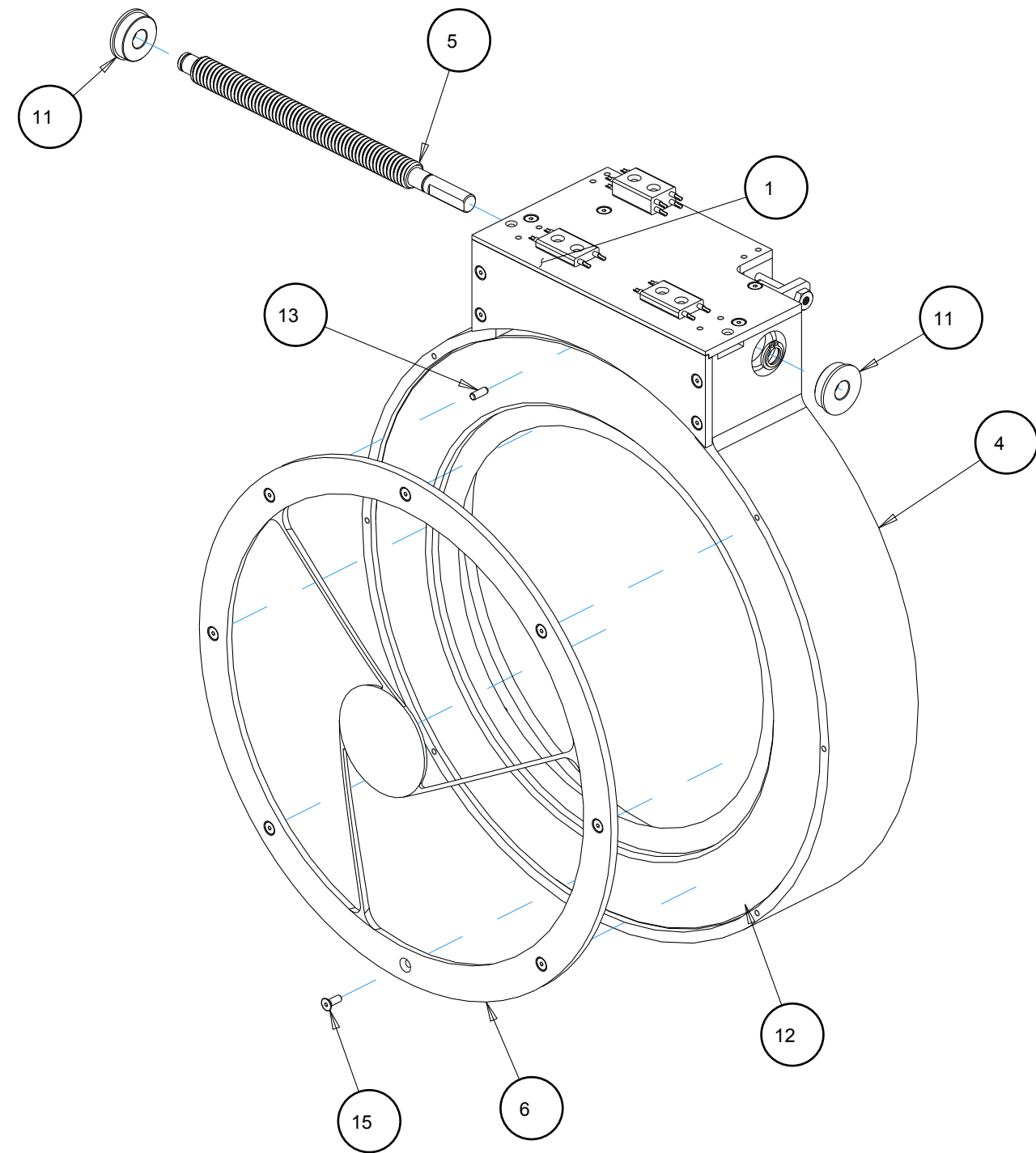


NOTES:

1. PRESS DOWEL PIN FLUSH WITH FAR SIDE.

2.

3.



REV.	DESCRIPTION	DATE	APPROVAL
------	-------------	------	----------

ITEM #	DWG. #	DESCRIPTION	QTY.
1	4-STAR-082	Iris Lead Nut Assm	1
2	4-STAR-140	Iris Drive Cover Assm	1
3	4-STAR-183	Iris	1
4	4-STAR-F-0362	Iris Housing	1
5	4-STAR-F-0364	Iris Lead Screw	1
6	4-STAR-F-0368	Central Obscuration	1
7	4-STAR-F-0374	Iris Retaining Ring	1
8	4-STAR-F-0630	Bracket, Linear Pot	1
9	4-STAR-F-0769	Iris Drive Cover, Front	1
10	4-STAR-F-0982	Driveshaft Washer	1
11	4-STAR-P-0361	1/4" ID ball bearing, McMaster 57155k305	2
12	4-STAR-P-0377	4-40 X 1/2 Vented SS FSHCS, U-C Comp #FA-408	6
13	4-STAR-P-0378	3/32 X 1/4 SS Dowel Pin	1
14	4-STAR-P-0379	2-56 X 3/8 Vented SS FSHCS, U-C Comp #FA-206	7
15	4-STAR-P-0380	2-56 X 1/4 Vented SS FSHCS, U-C Comp #FA-204	16
16	4-STAR-P-0460	SS external retaining ring - 0.25 shaft	2
17	4-STAR-P-0622	Hex Nut, 4-40, SS	2

4-STAR			
A. HARDING	04/10/06	Lyot Stop Assm	
4-STAR-016	S. SMEE	C	4-STAR-081
		1/2	1 OF 1