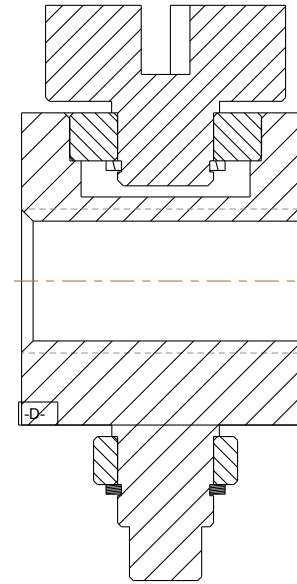
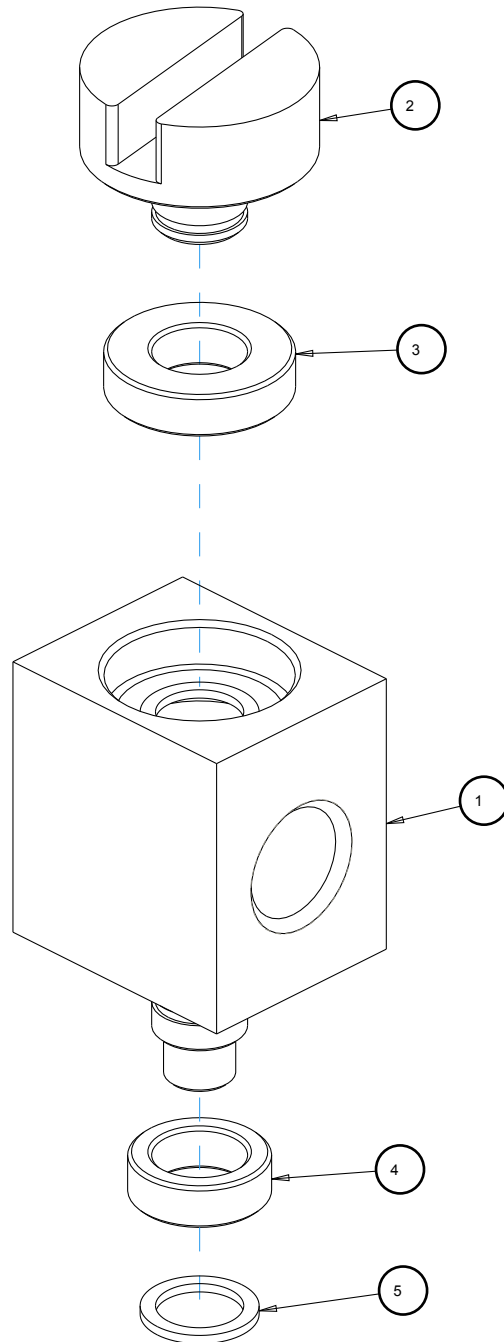


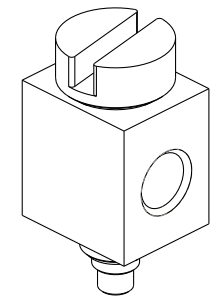
NOTES:

1.

REV.	DESCRIPTION	DATE	APPROVAL
------	-------------	------	----------



SECTION A-A



ITEM #	DWG. #	DESCRIPTION	SCALE 1/1	QTY.
1	4-STAR-F-0365	Iris Lead Nut		1
2	4-STAR-F-0375	Drive Nut Bearing Wheel		1
3	4-STAR-P-0366	Lead Nut Bearing, McMaster 57155k356		1
4	4-STAR-P-0367	Lead Nut Guide Bearing, McMaster 57155k355		1
5	4-STAR-P-0789	Spiral Retaining Ring, External 1/4" SS		2
		<b>4-STAR</b>		
		A. HARDING	04/07/06	<b>Iris Lead Nut Assm</b>
4-STAR-081	S. SMEE	A	<b>4-STAR-082</b>	1
			2/1	1 OF 1