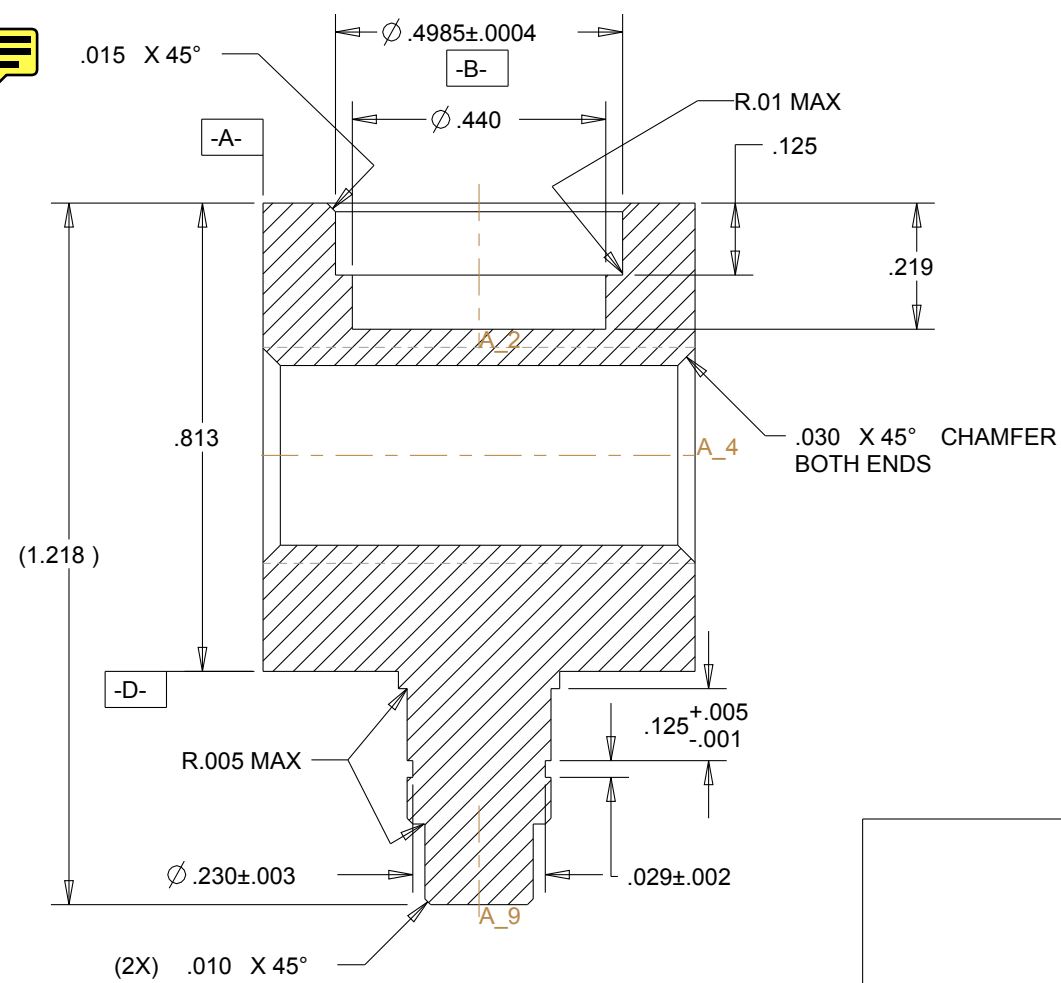
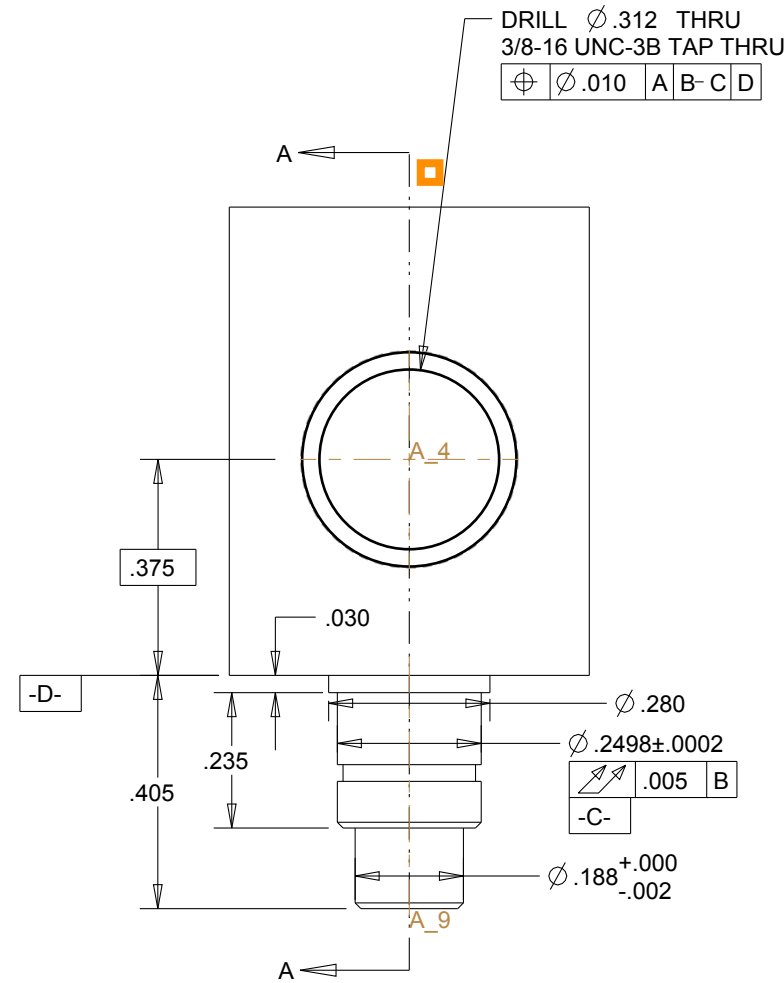
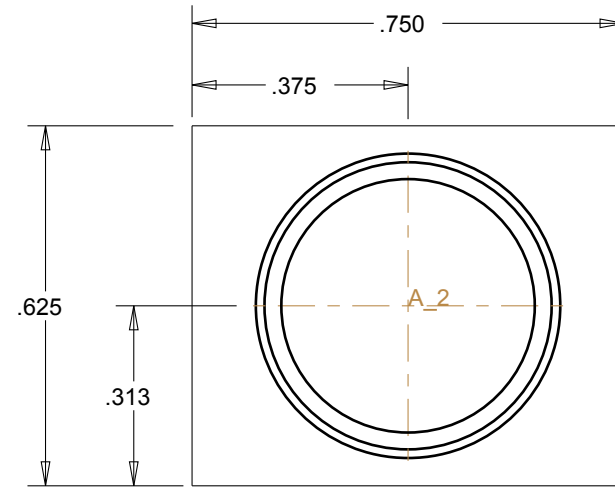


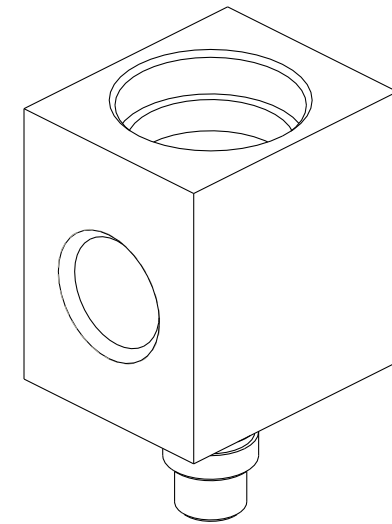
NOTES:

1. DEBUR ALL SHARP EDGES.

REV.	DESCRIPTION	DATE	APPROVAL
A	MODIFIED BOTH BEARING DIAMETERS	1/9/08	S. SMEE



SECTION A-A



SCALE 2/1

Vespel SP3	4-STAR		Iris Lead Nut	
	A. HARDING	09/24/07		
S. SMEE	NONE	B	4-STAR-F-0365	A
		3/1	1 OF 1	