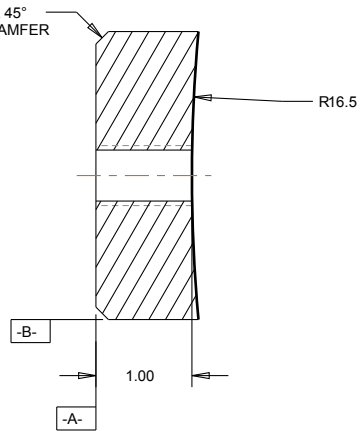
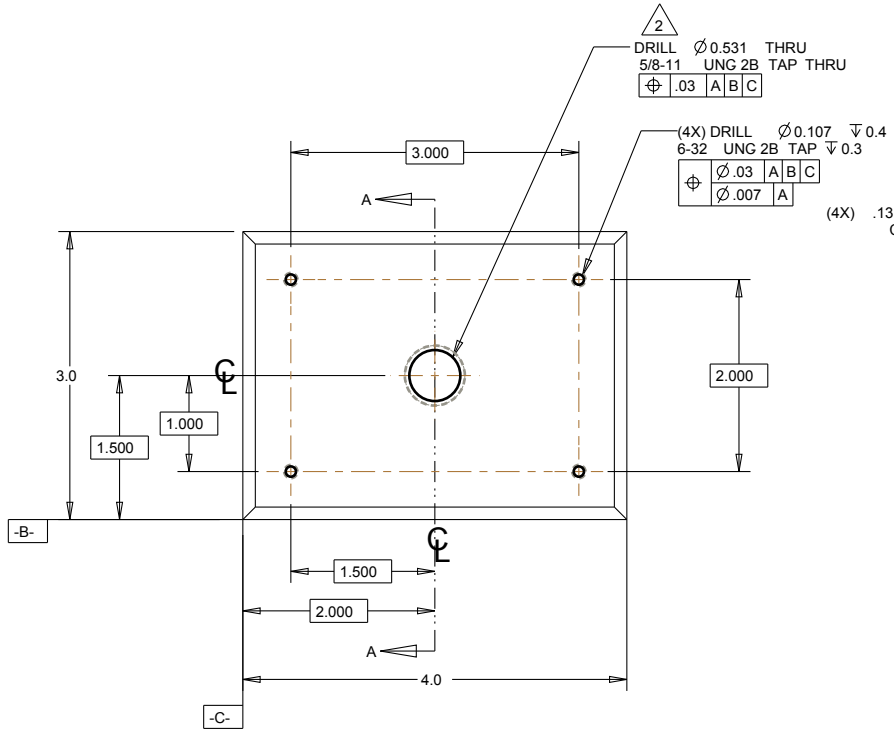


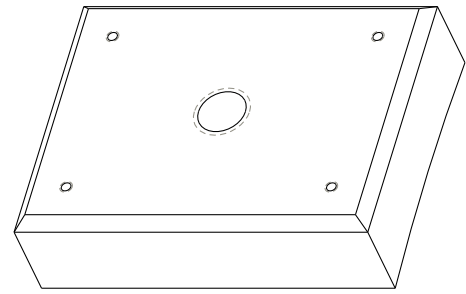
REV.	DESCRIPTION	DATE	APPROVAL
------	-------------	------	----------

NOTES:

1. DEBUR ALL SHARP EDGES
2. INSTALL KEENSERT #KNL813J AS PER MANUFACTURE SPEC.



SECTION A-A



SCALE 1/2

	4-STAR			
	A. HARDING	01/05/07	Lift Brace	
6061-T6	A. HARDING	A	4-STAR-F-0442	-
		1/2	1 OF 1	