

[Head Style](#) > [Drive Style](#) > [Thread Size](#) > [Length](#) > [Compare Items](#)

Machine Screws

This product matches all of your selections.

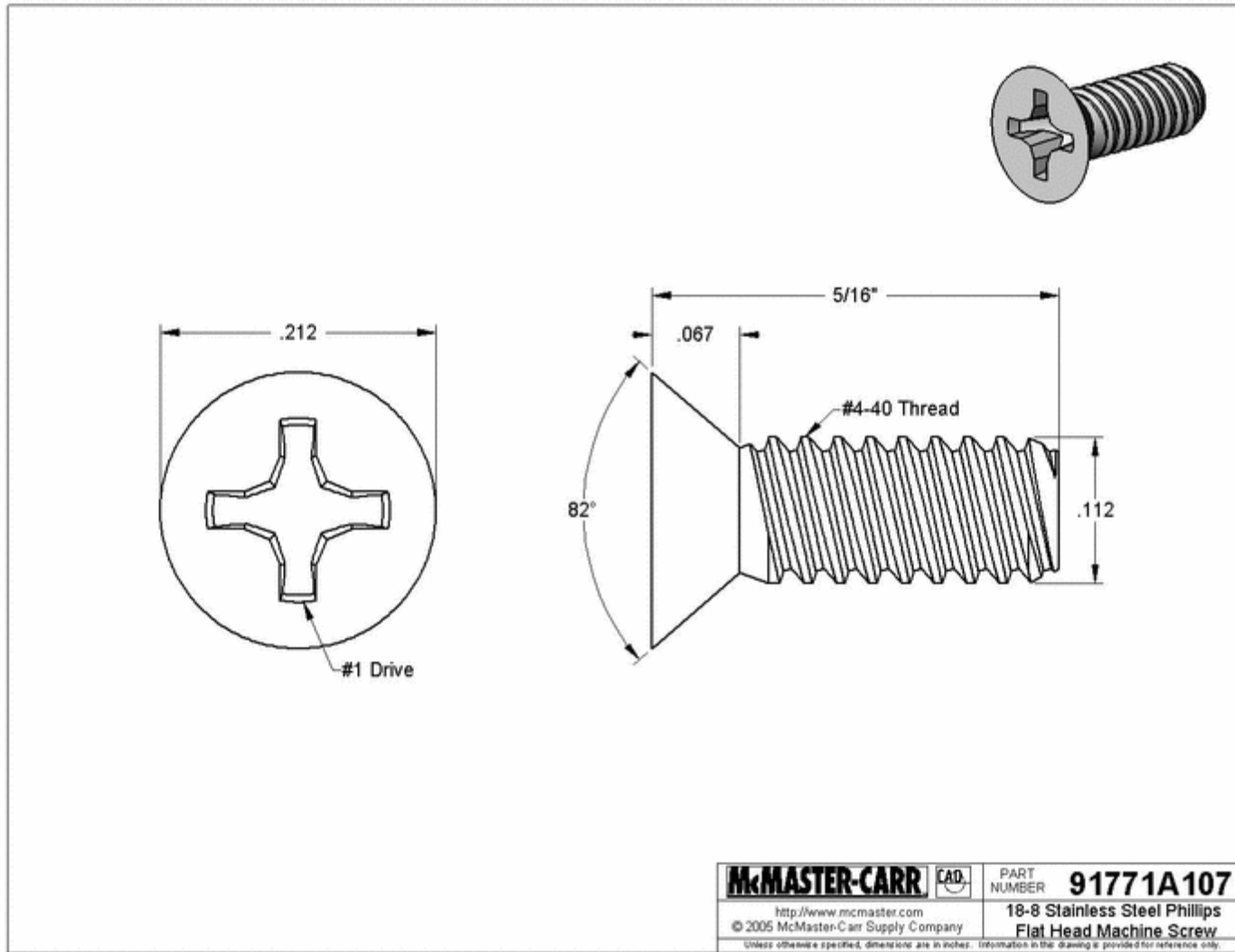


Part Number: **91771A107**

\$2.78 per Pack of 100

Head Style	Flat
Material Type	Stainless Steel
Finish	Plain
Stainless Steel Type	18-8 Stainless Steel
Drive Style	Phillips
System of Measurement	Inch
Thread Size	#4-40
Length	5/16"
Head Angle	Standard 82 Degrees
Decimal Size	.112"
Head Diameter	.212"
Head Height	.067"
Drive	#1
Thread Point Style	Machine
Specifications Met	Not Rated
Rockwell Hardness	B85-B95
Minimum Tensile Strength	80,000 psi

USE : 1) TOP FILTER WHEEL, LEVER MOTION (4X)
SEE FS-04-003



The information in this technical drawing is provided for reference only. [Details](#)