

TO ATTACH LIGHT COVERS TO THE TOWERS.

[Head Style](#) > [Material Type](#) > [Drive Style](#) > [System of Measurement](#) > [Thread Size](#) > [Length](#) > [Head Angle](#) > [Compare Items](#)

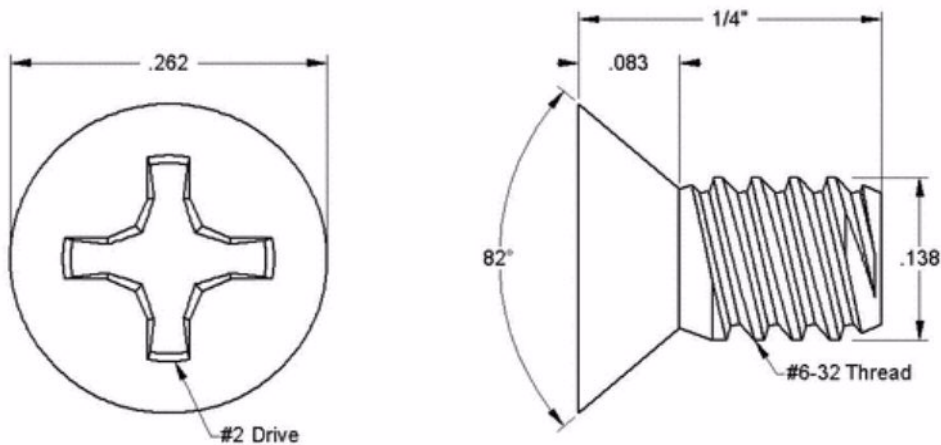
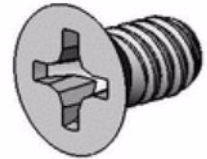
Machine Screws


This product matches all of your selections.



Part Number: **91771A144** \$3.85 per Pack of 100

Head Style	Flat
Material Type	Stainless Steel
Finish	Plain
Stainless Steel Type	18-8 Stainless Steel
Drive Style	Phillips
System of Measurement	Inch
Thread Size	#6-32
Length	1/4"
Head Angle	Standard 82 Degrees
Decimal Size	.138"
Head Diameter	.262"
Head Height	.083"
Drive	#2
Thread Point Style	Machine
Specifications Met	Not Rated
Rockwell Hardness	B85-B95
Minimum Tensile Strength	80,000 psi



McMASTER-CARR 	PART NUMBER 91771A144
http://www.mcmaster.com © 2005 McMaster-Carr Supply Company	18-8 Stainless Steel Phillips Flat Head Machine Screw
<small>Unless otherwise specified, dimensions are in inches. Information in the drawing is provided for reference only.</small>	