

FILTER WHEELS TO HOLD THE BEARINGS

[Head Style](#) > [Material Type](#) > [Finish](#) > [Drive Style](#) > [Thread Size](#) > [Length](#) > [Compare Items](#)

Machine Screws

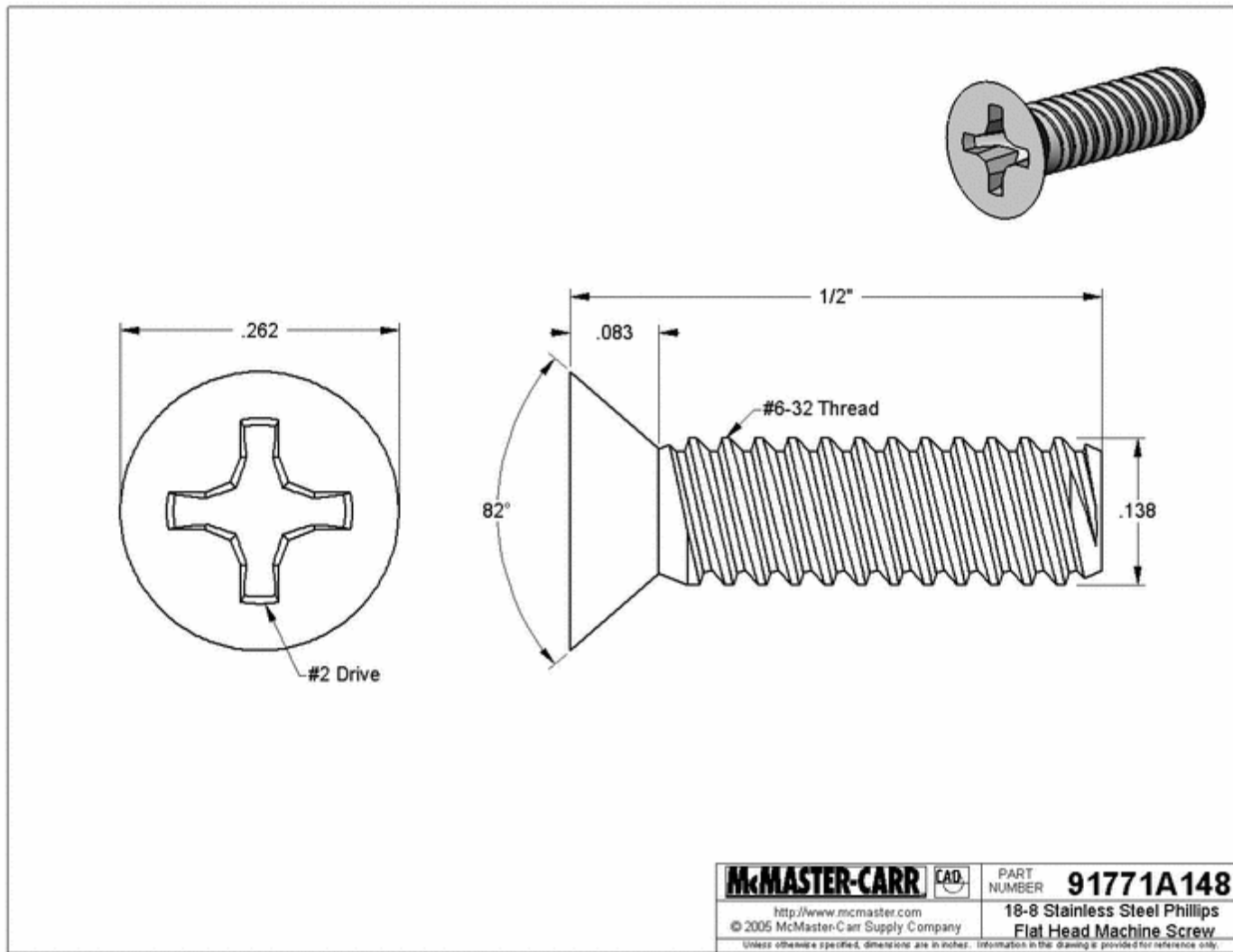
This product matches all of your selections.



Part Number: 91771A148

\$3.22 per Pack of 100

Head Style	Flat
Material Type	Stainless Steel
Finish	Plain
Stainless Steel Type	18-8 Stainless Steel
Drive Style	Phillips
System of Measurement	Inch
Thread Size	#6-32
Length	1/2"
Head Angle	Standard 82 Degrees
Decimal Size	.138"
Head Diameter	.262"
Head Height	.083"
Drive	#2
Thread Point Style	Machine
Specifications Met	Not Rated
Rockwell Hardness	B85-B95
Minimum Tensile Strength	80,000 psi



The information in this technical drawing is provided for reference only. [Details](#)