

[Head Style](#) > [Drive Style](#) > [Thread Size](#) > [Thread Style](#) > [Thread Length](#) > [Length](#) > [Compare Items](#)

Socket Cap Screws

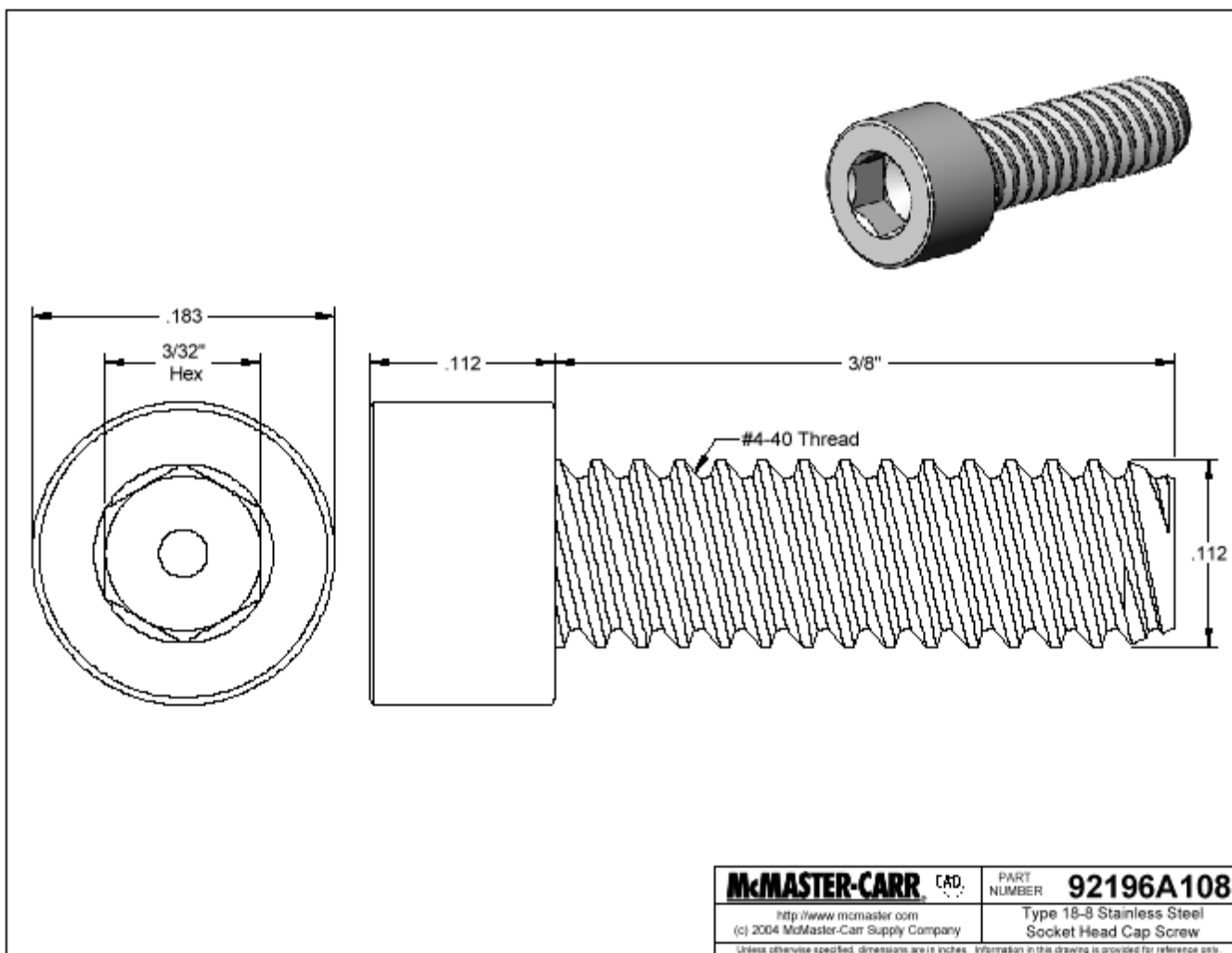
This product matches all of your selections.



Part Number: **92196A108**

\$3.53 per Pack of 100

Head Style	Standard
Material Type	Stainless Steel
Finish	Plain
Class	Not Rated
Stainless Steel Type	18-8 Stainless Steel
Drive Style	Hex Socket
System of Measurement	Inch
Thread Size	#4-40
Length	3/8"
Hex Key Size	3/32"
Thread Style	Right Handed
Thread Length	Fully Threaded
Head Diameter	.183"
Head Height	.112"
Rockwell Hardness	B70
Minimum Tensile Strength	70,000 psi
Thread Fit	Class 3A
Specifications Met	Not Rated



The information in this technical drawing is provided for reference only. [Details](#)