

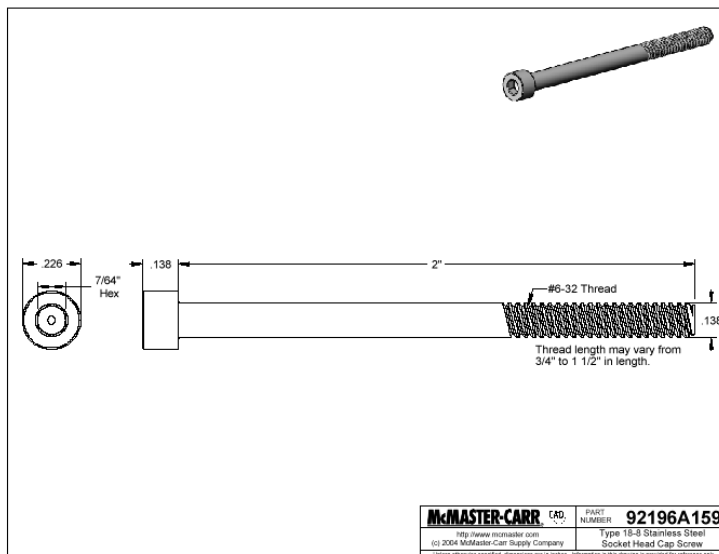
Socket Cap Screws



Part Number: **92196A159**

\$8.98 per Pack of 25

Head Style	Standard
Material Type	Stainless Steel
Finish	Plain
Class	Not Rated
Stainless Steel Type	18-8 Stainless Steel
Drive Style	Hex Socket
Inch Thread Size	6-32
Length	2"
Thread Length	Partially Threaded
Thread Direction	Right Handed
Tip Type	Plain
Self-Locking Method	None
Screw Quantity	Individual Screw
Hex Size	7/64"
Head Diameter	.226"
Head Height	.138"
Rockwell Hardness	Minimum B70
Minimum Tensile Strength	70,000 psi
Thread Fit	Class 3A
Specifications Met	Not Rated



McMASTER-CARR CAD	PART NUMBER	92196A159
<small>http://www.mcmaster.com © 2008 McMaster-Carr Supply Company</small>	<small>Type 18-8 Stainless Steel Socket Head Cap Screw</small>	
<small>Special customer specifications, dimensions and/or tolerances are the property of the drawing or customer and are not to be used for other than the intended application.</small>		