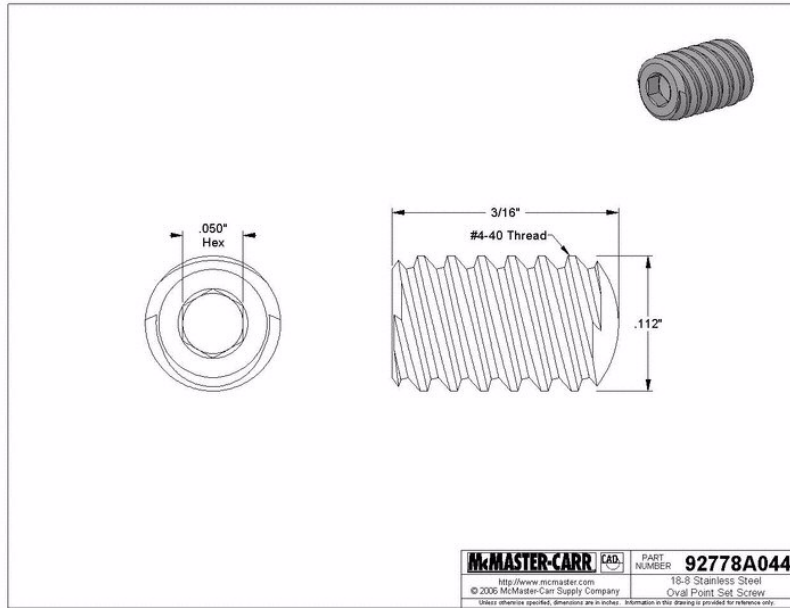


Set Screws



Part Number:	<b>92778A044</b>	\$8.80 per Pack of 50
Screw Style	Standard Socket	
Material Type	Stainless Steel	
Finish	Plain	
Stainless Steel Type	18-8 Stainless Steel	
Point	Oval	
System of Measurement	Inch	
Inch Thread Size	4-40	
Decimal Equivalent	.112"	
Hex Size	.050"	
Length	3/16"	
Thread Fit	Class 3A	
Rockwell Hardness	Minimum B80	
Specifications Met	American Society of Mechanical Engineers (ASME)	
ASME Specification	ASME B18.3	
Set Screw Quantity	Individual Screw	



<b>McMASTER-CARR</b> <small>EST. 1901</small>	<small>http://www.mcmaster.com</small>	<small>© 2006 McMaster-Carr Supply Company</small>	<small>UNLESS OTHERWISE SPECIFIED, DIMENSIONS ARE IN INCHES. INFORMATION IN THIS DRAWING IS PROVIDED FOR REFERENCE ONLY.</small>	<small>PART NUMBER</small> <b>92778A044</b>	<small>18-8 Stainless Steel</small> <small>Oval Point Set Screw</small>
---	--	--	--	---	--