

FFW # F W TOWERS TO CONTROL 'X' POSITION

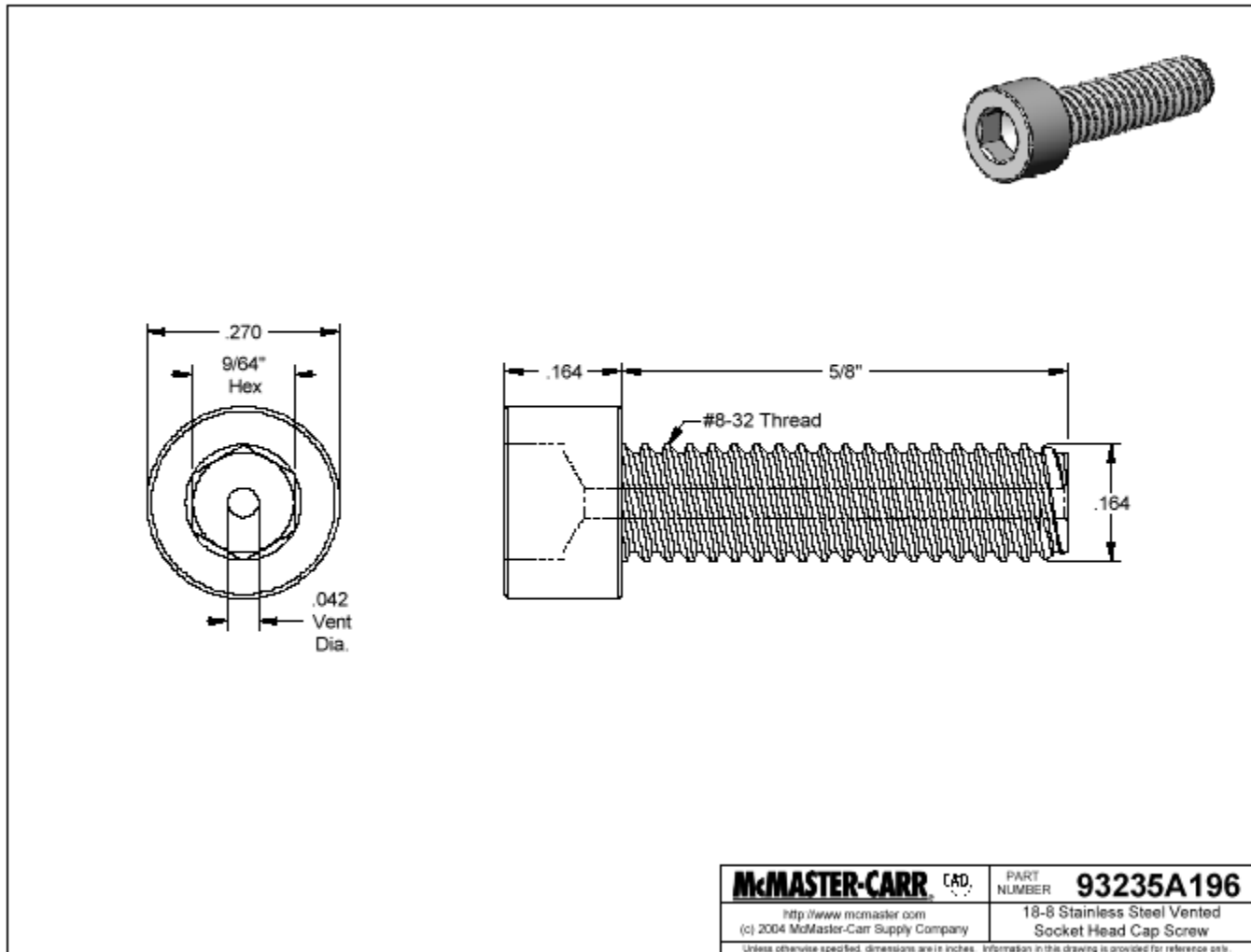
[Head Style](#) > [Thread Size](#) > [Length](#)

Socket Cap Screws

This product matches all of your selections.Part Number: **93235A196**

\$8.62 per Pack of 5

Head Style	Vented
Material Type	Stainless Steel
Finish	Plain
Class	Not Rated
Stainless Steel Type	18-8 Stainless Steel
Drive Style	Hex Socket
System of Measurement	Inch
Thread Size	#8-32
Length	5/8"
Hex Key Size	9/64"
Thread Style	Right Handed
Thread Length	Fully Threaded
Head Diameter	.270"
Head Height	.164"
Rockwell Hardness	B70-B95
Minimum Tensile Strength	85,000 psi
Thread Fit	Class 3A
Specifications Met	Not Rated



The information in this technical drawing is provided for reference only. [Details](#)