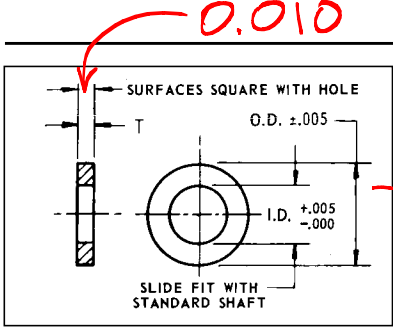


# INNER RACE SHAFT SPACERS — 3/32" To 1/2" Bores

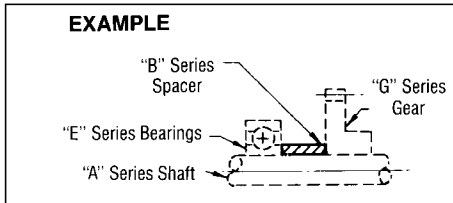


Material: 300 Series Stainless Steel

Shaft	I.D.	O.D.
5/64	.078	.164
3/32	.093	.203
1/8	.125	.187
3/16	.187	.250
1/4	.250	.375
5/16	.313	.500
3/8	.375	.562
1/2	.500	.750

T	Tolerance
.002 to .008	±.0005
.010 to .016	±.001
.031 to .500	±.002

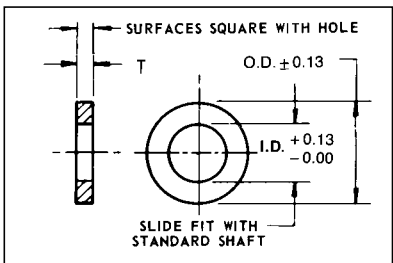
T	5/64" Spacer Part No.	3/32" Spacer Part No.	1/8" Spacer Part No.	3/16" Spacer Part No.	1/4" Spacer Part No.	5/16" Spacer Part No.	3/8" Spacer Part No.	1/2" Spacer Part No.
.002	B8-23	B6-23	B4-23	B6-24	B8-24	B14-23	B12-23	B15-23
.004	B8-16	B6-16	B4-1	B6-1	B8-1	B14-16	B12-1	B15-16
.006	B8-17	B6-17	B4-2	B6-2	B8-2	B14-17	B12-2	B15-17
.008	B8-18	B6-18	B4-3	B6-3	B8-3	—	B12-3	—
.010	B8-19	B6-19	B4-4	B6-4	B8-4	B14-19	B12-4	B15-19
.012	B8-20	B6-20	B4-5	B6-5	B8-5	B14-20	B12-5	B15-20
.014	B8-21	B6-21	B4-6	B6-6	B8-6	B14-21	B12-6	B15-21
.016	B8-22	B6-22	B4-7	B6-7	B8-7	B14-22	B12-7	B15-22
.031	—	—	B4-8	B6-8	B8-8	B14-24	B12-8	B15-24
.063	—	—	B4-9	B6-9	B8-9	B14-25	B12-9	B15-25
.094	—	—	B4-10	B6-10	B8-10	—	B12-10	—
.125	—	—	B4-11	B6-11	B8-11	—	B12-11	—
.188	—	—	B4-12	B6-12	B8-12	—	B12-12	—
.250	—	—	B4-13	B6-13	B8-13	—	B12-13	—
.375	—	—	B4-14	B6-14	B8-14	—	B12-14	—
.500	—	—	B4-15	B6-15	B8-15	—	B12-15	—



INNER RACE KITS		
Bearing Shaft Spacers—Stainless Steel Inner Race. Assorted Thickness for 1/8", 3/16" & 1/4" Shaft Sizes	350	Y27K

# METRIC INNER RACE SHAFT SPACERS — 3, 4, 6 & 10 mm Bores

All Dimensions in Millimeters



Material: 300 Series Stainless Steel

Shaft Size	Spacer	
	Inside Dia.	Outside Dia.
3	3.05	5
4	4.05	6
6	6.05	10
10	10.05	14

T	Tolerance
0.05-0.20	±0.013
0.25-0.40	±0.025
0.80-12.0	±0.050

T	3 Shaft Spacer Part Number	4 Shaft Spacer Part Number	6 Shaft Spacer Part Number	10 Shaft Spacer Part Number
0.05	MSP1-1	MSP2-1	MSP3-1	MSP4-1
0.10	MSP1-2	MSP2-2	MSP3-2	MSP4-2
0.15	MSP1-3	MSP2-3	MSP3-3	MSP4-3
0.20	MSP1-4	MSP2-4	MSP3-4	MSP4-4
0.25	MSP1-5	MSP2-5	MSP3-5	MSP4-5
0.30	MSP1-6	MSP2-6	MSP3-6	MSP4-6
0.35	MSP1-7	MSP2-7	MSP3-7	MSP4-7
0.40	MSP1-8	MSP2-8	MSP3-8	MSP4-8
0.80	MSP1-9	MSP2-9	MSP3-9	MSP4-9
1.60	MSP1-10	MSP2-10	MSP3-10	MSP4-10
2.40	MSP1-11	MSP2-11	MSP3-11	MSP4-11
3.00	MSP1-12	MSP2-12	MSP3-12	MSP4-12
4.50	MSP1-13	MSP2-13	MSP3-13	MSP4-13
6.00	MSP1-14	MSP2-14	MSP3-14	MSP4-14
10.00	MSP1-15	MSP2-15	MSP3-15	MSP4-15
12.00	MSP1-16	MSP2-16	MSP3-16	MSP4-16

Special Spacers Available, Consult Factory.

