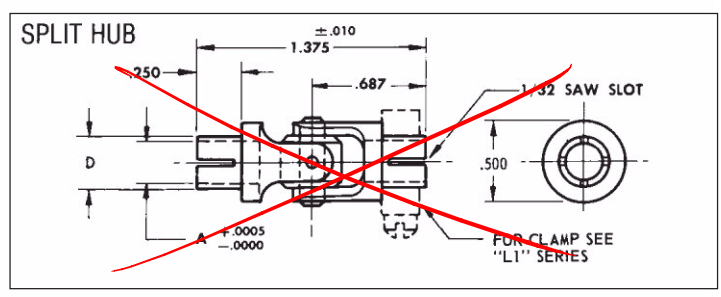
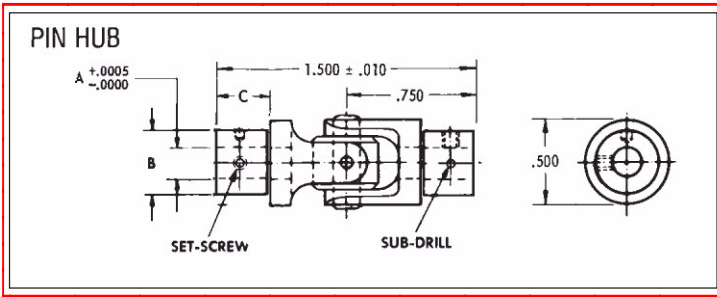


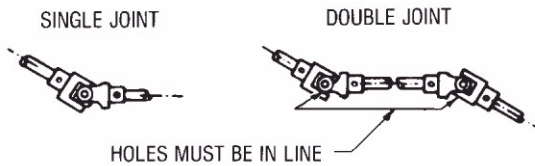
PRECISION UNIVERSAL JOINTS

1/8", 3/16", and 1/4" Bores and 3, 4, 6 mm Bores



Material: 303 Stainless Steel

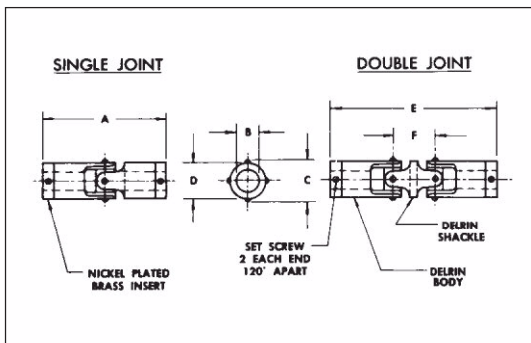
Inch Bores Toler.	Shaft Size	A	B	C	D	Set Screw	Clamp No. (Ref.)	Pin Hub Part No.	Split Hub Part No.
+.0005 -.0000	1/8	.1248	.312	.312	.188	#2-56	L1-4	BC-1	BC-10
	3/16	.1873	.375	.312	.250	#4-40	L1-5	BC-2	BC-11
	1/4	.2498	.500	—	.312	#6-32	L1-6	BC-3	BC-12
Dimensions below are in millimeters.									
Metric Bores Toler. +.013 -.000	3	2.995	7.92	7.92	4.78	L1-4		MUJ3-1	MUJ4-1
	4	3.995	9.52	7.92	6.35	L1-5		MUJ3-2	MUJ4-2
	6	5.995	12.70	—	7.92	L1-6		MUJ3-3	MUJ4-3



Universal joints will operate at angles up to 30°. For most efficient operation, operate at a maximum angle of 10°. Lubrication required.
Maximum speed: 300 RPM.

MOLDED UNIVERSAL JOINTS

1/8", 3/16", and 1/4" Bores and 3, 4, 6 mm Bores



Inch Bores Toler. +.001 -.000	Type	B	A	C	D	E	F	Set Screw	Part No.	
	Single Joint	1/8 to 3/16	1-31/64	7/16	3/8	—	—	—	#2-56 #4-40	BC-21
3/16		1-31/64	7/16	3/8	—	—	—	#4-40	BC-22	
3/16 to 1/4		1-13/16	9/16	1/2	—	—	—	#4-40 #6-32	BC-24	
1/4		1-13/16	9/16	1/2	—	—	—	#6-32	BC-25	
Double Joint	3/16	—	7/16	3/8	2	33/64	—	#4-40	BC-32	
	1/4	—	9/16	1/2	2-7/16	5/8	—	#6-32	BC-35	
Dimensions below are in millimeters.										
Metric Bores Toler. +.025 -.000	Single Joint	3 to 3	37.70	11.11	9.52				M2X.4	MUJ2-1
		3 to 4	37.70	11.11	9.52				M2X.4	MUJ2-2
		4 to 4	37.70	11.11	9.52				M2X.4	MUJ2-3
		4 to 6	46.04	14.29	12.70				M2X.4	MUJ2-4
	Double Joint	6 to 6	46.04	14.29	12.70				M3X.5	MUJ2-5
		3 to 3		11.11	9.52	50.8	13.10		M2X.4	MUJ2-6
		3 to 4		11.11	9.52	50.8	13.10		M2X.4	MUJ2-7
		4 to 4		11.11	9.52	50.8	13.10		M2X.4	MUJ2-8
		4 to 6		14.29	12.70	61.9	15.88		M2X.4	MUJ2-9
		6 to 6		14.29	12.70	61.9	15.88		M3X.5	MUJ2-10

C	Capac. Oz-In.*		
	In.	mm	Manual
7/16	(11.11)	25	50
9/16	(14.29)	85	170

*Based on 3.6° max. allowable deflection for continuous operation and 7° for manual operation. Double joints have one-half of these capacities.

Max. shaft angles are 10° for 2000 rpm, 15° for 1500 rpm, 20° for 1000 rpm and 30° for 500 rpm.