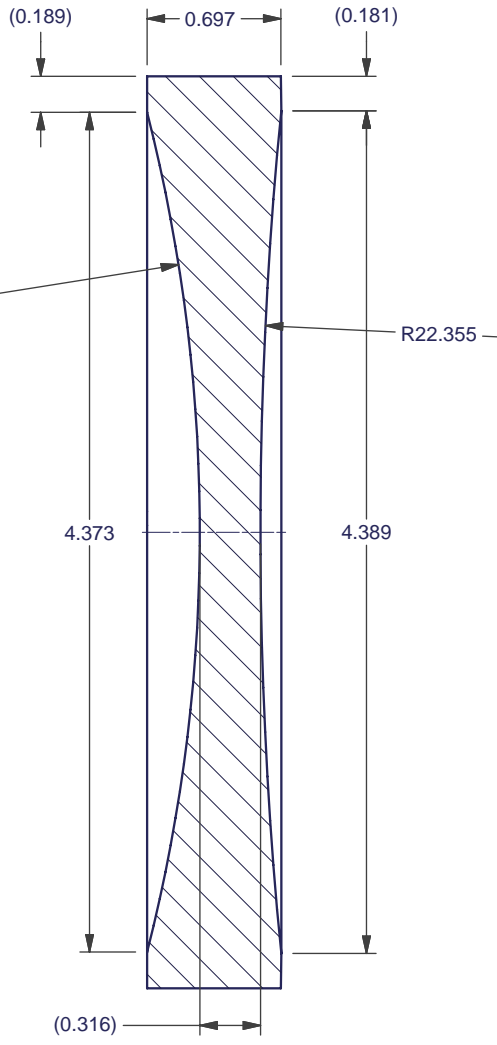


SCALE 1 : 1



SECTION A-A  
SCALE 1 : 1

REFERENCE DOCUMENTATION  
FROM LENS 3D MODELING.  
LENS MANUFACTURED BY JANOS.

REV	CHANGES	DATE	BY

MATERIAL:	1
FINISH:	2
SCALE:	

UNLESS OTHERWISE SPECIFIED:  
DIMENSIONS ARE IN INCHES  
BRAKE EDGES / REMOVE BURRS

TOLERANCES:  
X.X± 0.03      ANGLES: 0.5°  
X.XX± 0.01     FRACTIONS: ± 1/16  
X.XXX± 0.003

**DO NOT SCALE DRAWING**

**\*\*\*\*  
FourStar**

Designer: Persson  
Drawn: Koch

NEXT ASSY		USED ON	
APPLICATION			
2/27/2005			
9/5/2008		Drawings Printed on:	

**THE OBSERVATORIES**  
CARNegie INSTITUTION OF WASHINGTON  
813 SANTA BARBARA STREET PASADENA, CA. 91101-1232

CORRECTOR LENS L7-K

DWG NO.	REV.
<b>CORR-LENS_K</b>	SHT 1 OF 1