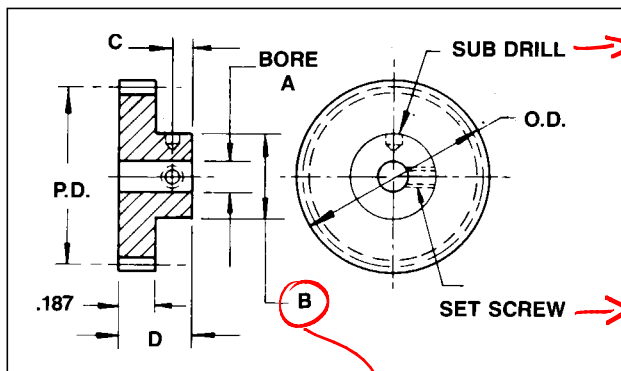


SPUR GEAR-64 PITCH — $\frac{3}{16}$ " Face Width ■ 20° Pressure Angle

Pin Hub — $\frac{3}{16}$ " $\frac{1}{4}$ " Bores



0.094 FOR C3-11 PIN

Y11-9
6-32 x 0.125

Material: 303 Stainless Steel
2024-T4 Aluminum
(Anodized Before Cutting)

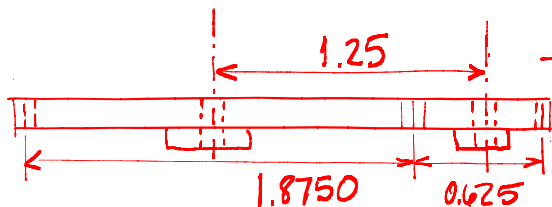
Dimen.	Bore	
	3/16	1/4
A	.1873	.2498
B	.375	.500
C	.11	.12
D	.406	.437
Set Screw	#4-40	#6-32

Tolerances	Q10	Q12	Q14
Bore	+ .0005 - .0000	+ .0003 - .0000	+ .0002 - .0000
Pitch Diameter	+ .000 - .001	+ .0000 - .0007	+ .0000 - .0005
Outside Diameter	+ .000 - .002	+ .0000 - .0015	+ .000 - .001
Total Composite Tolerance	FOR AGMA QUALITY STANDARDS SEE PAGE 12-2		
Tooth to Tooth Tolerance			

To order AGMA 12 Gears, add - Q12 to Part No.
To order AGMA 14 Gears, add - Q14 to Part No.

FOR SPECIAL SPUR GEARS ORDER AS FOLLOWS:

For Unlisted Number of Teeth, Specify the Number of Teeth desired as the last figure in the part number.
EXAMPLE: G17-40 and G17-48 are in the above table. For a 59 Tooth Gear, Specify Part Number G17-59.



1.260 ASSY
1.250 PIC
0.010 Play

Gear Data			Stainless Steel Part No. Bore Size		Aluminum Part No. Bore Size	
No. Teeth	P.D.	O.D.	.1873	.2498	.1873	.2498
27	.4218	.453	G15-27	—	G16-27	—
28	.4375	.469	G15-28	—	G16-28	—
29	.4531	.484	G15-29	—	G16-29	—
30	.4687	.500	G15-30	G17-30	G16-30	—
32	.5000	.531	G15-32	G17-32	G16-32	—
34	.5312	.563	G15-34	G17-34	G16-34	G18-34
36	.5625	.594	G15-36	G17-36	G16-36	G18-36
38	.5937	.625	G15-38	G17-38	G16-38	G18-38
40	.6250	.656	G15-40	G17-40	G16-40	G18-40
42	.6562	.688	G15-42	G17-42	G16-42	G18-42
44	.6875	.719	G15-44	G17-44	G16-44	G18-44
46	.7187	.750	G15-46	G17-46	G16-46	G18-46
48	.7500	.781	G15-48	G17-48	G16-48	G18-48
50	.7812	.813	G15-50	G17-50	G16-50	G18-50
55	.8593	.891	G15-55	G17-55	G16-55	G18-55
56	.8750	.906	G15-56	G17-56	G16-56	G18-56
60	.9375	.969	G15-60	G17-60	G16-60	G18-60
64	1.0000	1.031	G15-64	G17-64	G16-64	G18-64
65	1.0156	1.047	G15-65	G17-65	G16-65	G18-65
70	1.0937	1.125	G15-70	G17-70	G16-70	G18-70
72	1.1250	1.156	G15-72	G17-72	G16-72	G18-72
75	1.1718	1.203	G15-75	G17-75	G16-75	G18-75
80	1.2500	1.281	G15-80	G17-80	G16-80	G18-80
84	1.3125	1.344	G15-84	G17-84	G16-84	G18-84
85	1.3281	1.359	G15-85	G17-85	G16-85	G18-85
88	1.3750	1.406	G15-88	G17-88	G16-88	G18-88
90	1.4062	1.438	G15-90	G17-90	G16-90	G18-90
92	1.4375	1.469	G15-92	G17-92	G16-92	G18-92
95	1.4843	1.516	G15-95	G17-95	G16-95	G18-95
96	1.5000	1.531	G15-96	G17-96	G16-96	G18-96
100	1.5625	1.594	G15-100	G17-100	G16-100	G18-100
104	1.6250	1.656	G15-104	G17-104	G16-104	G18-104
105	1.6406	1.672	G15-105	G17-105	G16-105	G18-105
112	1.7500	1.781	G15-112	G17-112	G16-112	G18-112
120	1.8750	1.906	G15-120	G17-120	G16-120	G18-120
127	1.9843	2.016	G15-127	G17-127	G16-127	G18-127
128	2.0000	2.031	G15-128	G17-128	G16-128	G18-128
136	2.1250	2.156	G15-136	G17-136	G16-136	G18-136
144	2.2500	2.281	G15-144	G17-144	G16-144	G18-144
152	2.3750	2.406	G15-152	G17-152	G16-152	G18-152
160	2.5000	2.531	G15-160	G17-160	G16-160	G18-160
168	2.6250	2.656	G15-168	G17-168	G16-168	G18-168
176	2.7500	2.781	G15-176	G17-176	G16-176	G18-176
184	2.8750	2.906	G15-184	G17-184	G16-184	G18-184
192	3.0000	3.031	G15-192	G17-192	G16-192	G18-192
200	3.1250	3.156	G15-200	G17-200	G16-200	G18-200
208	3.2500	3.281	G15-208	G17-208	G16-208	G18-208
216	3.3750	3.406	G15-216	G17-216	G16-216	G18-216
224	3.5000	3.531	G15-224	G17-224	G16-224	G18-224
232	3.6250	3.656	G15-232	G17-232	G16-232	G18-232
240	3.7500	3.781	G15-240	G17-240	G16-240	G18-240
248	3.8750	3.906	G15-248	G17-248	G16-248	G18-248
256	4.0000	4.031	G15-256	G17-256	G16-256	G18-256

Other Size Bores Available. Consult Factory.