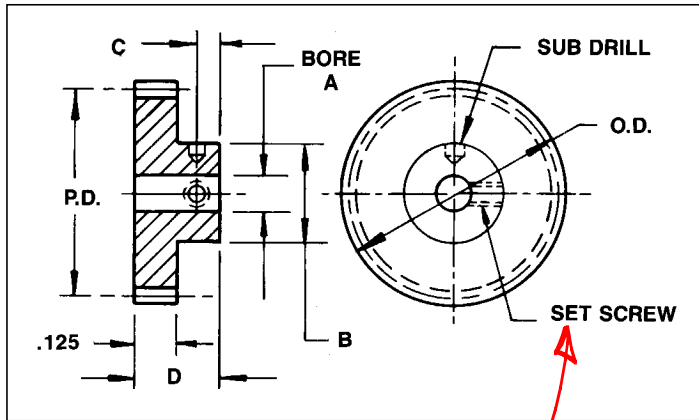


# SPUR GEAR-72 PITCH — 1/8" Face Width ■ 20° Pressure Angle

Pin Hub — 1/8", 3/16" Bores



Material: 303 Stainless Steel  
2024-T4 Aluminum  
(Anodized Before Cutting)

Dimen.	Bore	
	1/8	3/16
A	.1248	.1873
B	.312	.375
C	.09	.11
D	.312	.343
Set Screw	#2-56	#4-40

Tolerances	Q10	Q12	Q14
Bore	+ .0005 - .0000	+ .0003 - .0000	+ .0002 - .0000
Pitch Diameter	+ .000 - .001	+ .0000 - .0007	+ .0000 - .0005
Outside Diameter	+ .000 - .002	+ .0000 - .0015	+ .000 - .001
Total Composite Tolerance	FOR AGMA QUALITY STANDARDS		
Tooth to Tooth Tolerance	SEE PAGE 12-2		

To order AGMA 12 Gears, add - Q12 to Part No.  
To order AGMA 14 Gears, add - Q14 to Part No.

FOR SPECIAL SPUR GEARS ORDER AS FOLLOWS:

For Unlisted Number of Teeth, Specify the Number of Teeth desired as the last figure in the part number.  
EXAMPLE: G19-40 and G19-48 are in the above table. For a 59 Tooth Gear, Specify Part Number G19-59.

Gear Data			Stainless Steel Part No. Bore Size		Aluminum Part No. Bore Size	
No. Teeth	P.D.	O.D.	.1248	.1873	.1248	.1873
26	.3610	.389	G19-26	—	G20-26	—
27	.3750	.403	G19-27	—	G20-27	—
28	.3888	.417	G19-28	—	G20-28	—
30	.4166	.444	G19-30	G21-30	G20-30	G22-30
32	.4444	.472	G19-32	G21-32	G20-32	G22-32
34	.4722	.500	G19-34	G21-34	G20-34	G22-34
36	.5000	.528	G19-36	G21-36	G20-36	G22-36
38	.5277	.556	G19-38	G21-38	G20-38	G22-38
40	.5555	.583	G19-40	G21-40	G20-40	G22-40
42	.5833	.611	G19-42	G21-42	G20-42	G22-42
44	.6111	.639	G19-44	G21-44	G20-44	G22-44
45	.6250	.653	G19-45	G21-45	G20-45	G22-45
46	.6388	.667	G19-46	G21-46	G20-46	G22-46
48	.6666	.694	G19-48	G21-48	G20-48	G22-48
50	.6944	.722	G19-50	G21-50	G20-50	G22-50
54	.7500	.778	G19-54	G21-54	G20-54	G22-54
55	.7638	.792	G19-55	G21-55	G20-55	G22-55
56	.7777	.806	G19-56	G21-56	G20-56	G22-56
60	.8333	.861	G19-60	G21-60	G20-60	G22-60
63	.8750	.903	G19-63	G21-63	G20-63	G22-63
64	.8888	.917	G19-64	G21-64	G20-64	G22-64
70	.9722	1.000	G19-70	G21-70	G20-70	G22-70
72	1.0000	1.028	G19-72	G21-72	G20-72	G22-72
75	1.0416	1.069	G19-75	G21-75	G20-75	G22-75
80	1.1111	1.139	G19-80	G21-80	G20-80	G22-80
81	1.1250	1.153	G19-81	G21-81	G20-81	G22-81
84	1.1666	1.194	G19-84	G21-84	G20-84	G22-84
85	1.1805	1.208	G19-85	G21-85	G20-85	G22-85
90	1.2500	1.278	G19-90	G21-90	G20-90	G22-90
92	1.2777	1.306	G19-92	G21-92	G20-92	G22-92
95	1.3194	1.347	G19-95	G21-95	G20-95	G22-95
96	1.3333	1.361	G19-96	G22-96	G20-96	G22-96
99	1.3750	1.403	G19-99	G21-99	G20-99	G22-99
100	1.3888	1.417	G19-100	G21-100	G20-100	G22-100
105	1.4583	1.486	G19-105	G21-105	G20-105	G22-105
108	1.5000	1.528	G19-108	G21-108	G20-108	G22-108
110	1.5277	1.556	G19-110	G21-110	G20-110	G22-110
117	1.6249	1.653	G19-117	G21-117	G20-117	G22-117
120	1.6666	1.694	G19-120	G21-120	G20-120	G22-120
126	1.7499	1.778	G19-126	G21-126	G20-126	G22-126
127	1.7638	1.792	G19-127	G21-127	G20-127	G22-127
130	1.8055	1.833	G19-130	G21-130	G20-130	G22-130
135	1.8749	1.903	G19-135	G21-135	G20-135	G22-135
140	1.9444	1.972	G19-140	G21-140	G20-140	G22-140
144	2.0000	2.028	G19-144	G21-144	G20-144	G22-144
150	2.0833	2.111	G19-150	G21-150	G20-150	G22-150
153	2.1249	2.153	G19-153	G21-153	G20-153	G22-153
160	2.2222	2.250	—	G21-160	—	G22-160
162	2.2499	2.278	—	G21-162	—	G22-162
180	2.5000	2.528	—	G21-180	—	G22-180
198	2.7499	2.778	—	G21-198	—	G22-198
216	3.0000	3.028	—	G21-216	—	G22-216

Other Size Bores Available. Consult Factory.