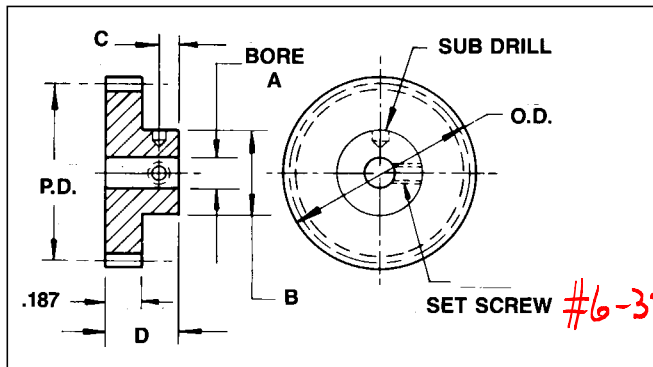


SPUR GEAR-24 PITCH — 3/16" Face Width ■ 20° Pressure Angle

Pin Hub — 3/16", 1/4" Bores



Material: 303 Stainless Steel
2024-T4 Aluminum
(Anodized Before Cutting)

Dimen.	Bore	
	3/16	1/4
A	.1873	.2498
B	.375	.500
C	.11	.12
D	.406	.437
Set Screw	#4-40	#6-32

Tolerances	Q10	Q12	Q14
Bore	+ .0005 - .0000	+ .0003 - .0000	+ .0002 - .0000
Pitch Diameter	+ .000 - .001	+ .0000 - .0007	+ .0000 - .0005
Outside Diameter	+ .000 - .002	+ .0000 - .0015	+ .000 - .001
Total Composite Tolerance	FOR AGMA QUALITY STANDARDS		
Tooth to Tooth Tolerance	SEE PAGE 12-2		

To order AGMA 12 Gears, add - Q12 to Part No.
To order AGMA 14 Gears, add - Q14 to Part No.

FOR SPECIAL SPUR GEARS ORDER AS FOLLOWS:

For Unlisted Number of Teeth, Specify the Number of Teeth desired as the last figure in the part number.

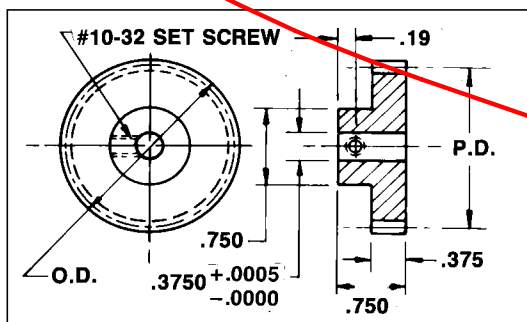
EXAMPLE: G57-45 and G57-48 are in the above table. For a 59 Tooth Gear, Specify Part Number G57-59.

Gear Data			Stainless Steel Part No. Bore Size	Aluminum Part No. Bore Size
No. Teeth	P.D.	O.D.	.1873 .2498	.1873 .2498
12	5000	.583	G57-12	G58-12
13	5418	.625	G57-13	G58-13
14	5833	.667	G57-14	G58-14
15	6250	.708	G57-15	G58-15
16	6667	.750	G57-16	G58-16
18	7500	.833	G57-18	G58-18
20	8333	.917	G57-20	G58-20
22	9167	1.000	G57-22	G58-22
24	1.0000	1.083	G57-24	G58-24
27	1.1250	1.208	G57-27	G58-27
30	1.2500	1.333	G57-30	G58-30
36	1.5000	1.583	G57-36	G58-36
39	1.6250	1.708	G57-39	G58-39
42	1.7500	1.833	G57-42	G58-42
45	1.8750	1.958	G57-45	G58-45
48	2.0000	2.083	G57-48	G58-48
54	2.2500	2.333	G57-54	G58-54
60	2.5000	2.583	G57-60	G58-60
63	2.6250	2.708	G57-63	G58-63
66	2.7500	2.833	G57-66	G58-66
69	2.8750	2.958	G57-69	G58-69
72	3.0000	3.083	G57-72	G58-72
75	3.1250	3.208	G57-75	G58-75
78	3.2500	3.333	G57-78	G58-78
81	3.3750	3.458	G57-81	G58-81
84	3.5000	3.583	G57-84	G58-84
87	3.6250	3.708	G57-87	G58-87
90	3.7500	3.833	G57-90	G58-90
93	3.8750	3.958	G57-93	G58-93
96	4.0000	4.083	G57-96	G58-96
99	4.1250	4.208	G57-99	G58-99

Other Size Bores Available, Consult Factory.

SPUR GEAR-24 PITCH — 3/8" Face Width ■ 20° Pressure Angle

Pin Hub — 3/8" Bore



TOLERANCES

AGMA Quality Number 10-C	Tooth-to-Tooth Composite	Total Composite
Up to 20 Teeth Inclusive	.0007	.0010
Over 20 Teeth—up to 1.999" P.D.	.0005	.0010
Over 20 Teeth—2" to 2.999" P.D.	.0005	.0012
Over 20 Teeth—4" P.D. and over	.0005	.0014

"C"—BACKLASH DESIGNATION.

Provides .0005 to .001 tooth thinning at pitch line. Allows operation on theoretical centers.

Gear Data			#303 STAINLESS STEEL	BRONZE Alloy 464
No. Teeth	P.D.	O.D.	Part No.	Part No.
24	1.0000	1.083	G79-24	G80-24
28	1.1667	1.250	G79-28	G80-28
30	1.2500	1.333	G79-30	G80-30
36	1.5000	1.583	G79-36	G80-36
40	1.6667	1.750	G79-40	G80-40
48	2.0000	2.083	G79-48	G80-48
56	2.3333	2.417	G79-56	G80-56
60	2.5000	2.583	G79-60	G80-60
72	3.0000	3.083	G79-72	G80-72
80	3.3333	3.417	G79-80	G80-80
96	4.0000	4.083	G79-96	G80-96
112	4.6667	4.750	G79-112	G80-112
120	5.0000	5.083	G79-120	G80-120