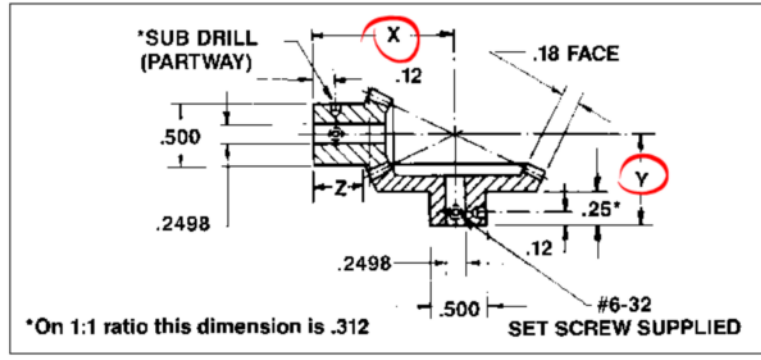


N3-2-S

MITER & BEVEL GEARS-48 PITCH — 20° Pressure Angle

Pin Hub — 1/4" Bore ■ Matched Pairs ■ AGMA Quality No. 10 and 12



Material: 303 Stainless Steel — S
2024-T4 Aluminum (Anodized Before Cutting) — A

*Sub Drill 90° To Set Screw Location Optional

Miter Gear Sets (1:1 Ratio) Consists of 2 Gears of Identical Dimensions

Tolerances	Q10	Q12
Bore	+ .0005 - .0000	+ .0003 - .0000
Pitch Diameter	+ .000 - .001	+ .0000 - .0007
Total Composite Tolerance	FOR AGMA QUALITY STANDARDS	
Tooth to Tooth Tolerance	SEE PAGE 12-2	

Gear Data							Part No. Per Set
Ratio	No. Teeth	Material	P.D.	X	Y	Z	
1:1	30/30	S/A S/S A/A	.625/.625	.687	.687	.312	N3-1 N3-1-S N3-1-A
1:1½	30/45	S/A S/S A/A	.625/.937	.812	.687	.302	N3-5 N3-5-S N3-5-A
1:2	30/60	S/A S/S A/A	.625/1.250	.937	.687	.281	N3-2 N3-2-S N3-2-A
1:3	30/90	S/A S/S A/A	.625/1.875	1.250	.687	.292	N3-3 N3-3-S N3-3-A
1:4	30/120	S/A S/S A/A	.625/2.500	1.531	.687	.265	N3-4 N3-4-S N3-4-A

Split Hubs. Other Ratios and Bore Available on Request. Consult Factory.

To order AGMA 12 Gears, add - Q12 to Part No.

When ordering individual parts, specify set no. along with individual part. EXAMPLE: N3-1 (Pinion Only) or N3-1 (Gear Only).

