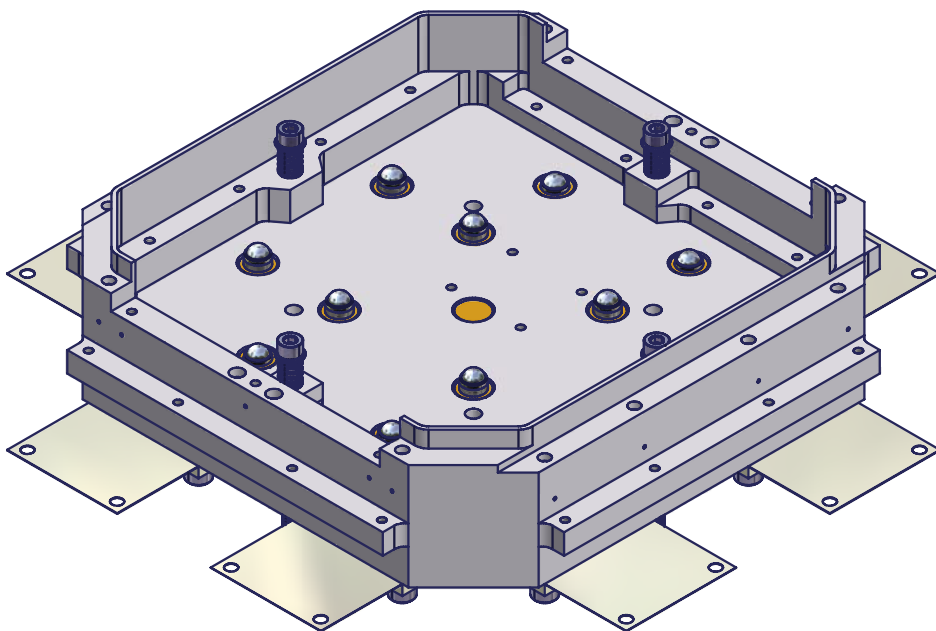
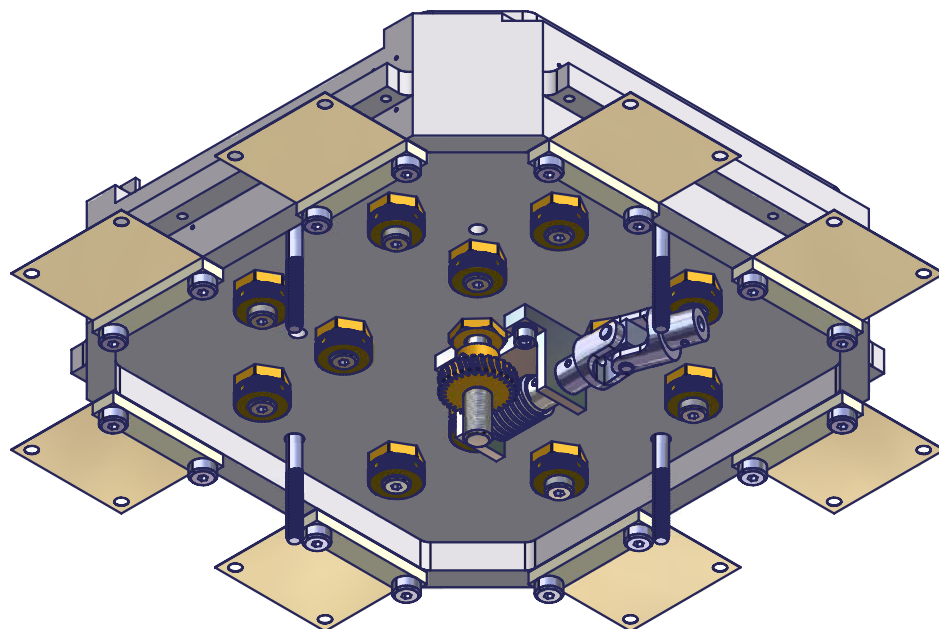


PARTS LIST						
ITEM	QTY	PART #	VENDOR	DESCRIPTION	REV	
1	1	FS-01-005		ASSY, DETECTOR FOCUS WORM GEAR	A	
2	1	FS-11-010		SUPPORT, INNER OCTAGON, DETECTOR HOLDER	B	
3	8	FS-11-012		SUPPORT, SSTL BLOCK TO HOLD LAMINATE	A	
4	8	FS-11-011		SUPPORT, SSTL LAMINATE PLATE BETWEEN OCTAGONS	A	
5	16	94035A513	McMaster	SHOULDER SCREW, 4-40 x 3/16 (0.188)	BUY	
6	4	Spring_B	See Persson	SPRING 3/8 x 0.5	BUY	
7	4	92196A159	McMaster	SHCS 6-32 x 2.0	BUY	
8	4	90945A715	McMaster	FLAT WASHER No 6	BUY	
9	12	FS-11-037		3/8-24 INTERFACE TO 1/4-80, DETECTOR TILT	NR	
10	1	FS-11-038		3/8-24 SUPPORT, DETECTOR FOCUS	A	
11	12	LN2580	THORLABS	HEX ADJUSTER LOCK, 1/4"-80	BUY	
12	12	F25SS075	THORLABS	FINE HEX ADJUSTER, 1/4"-80, 0.75 LONG	BUY	

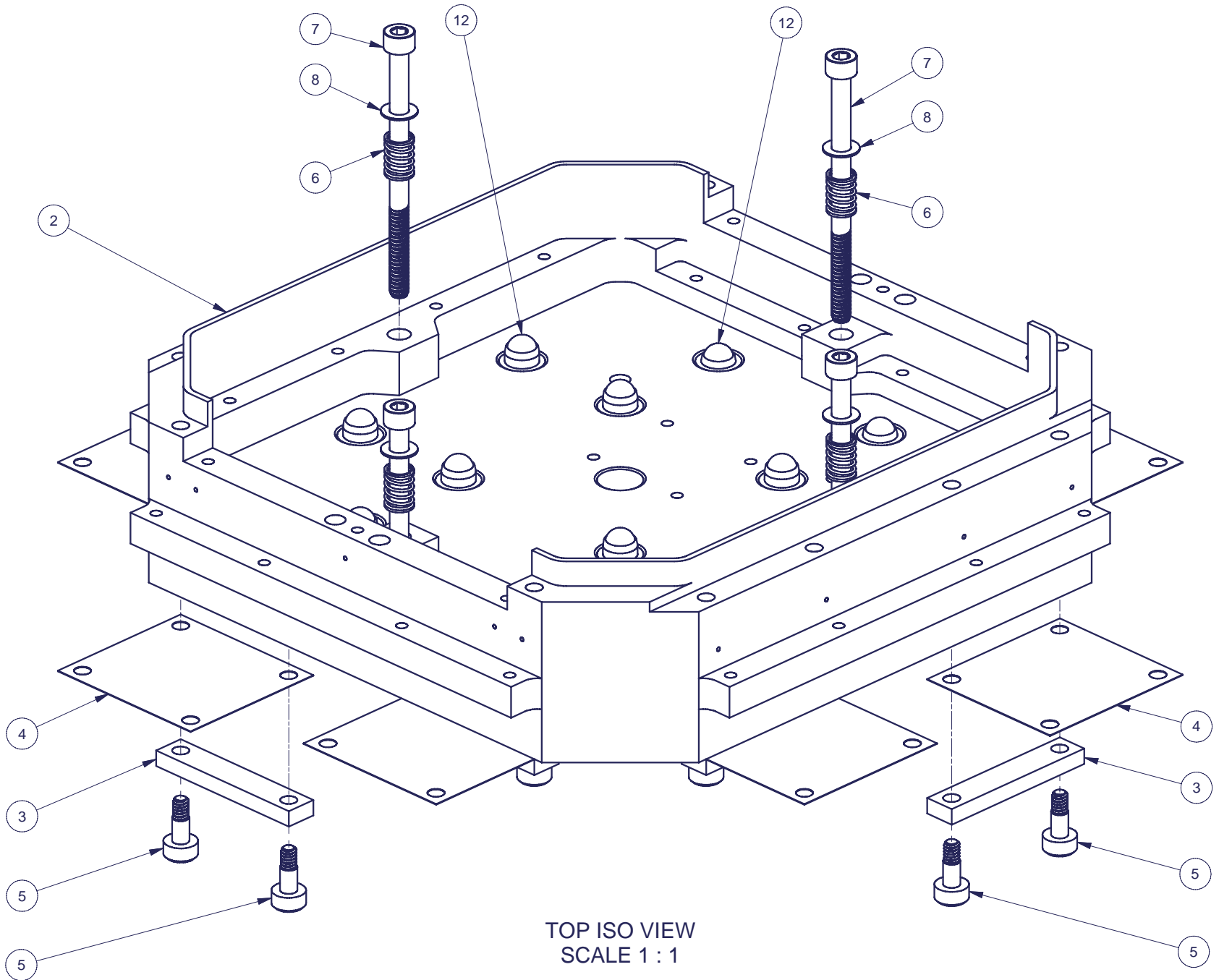


TOP ISO VIEW  
SCALE 0.60 : 1

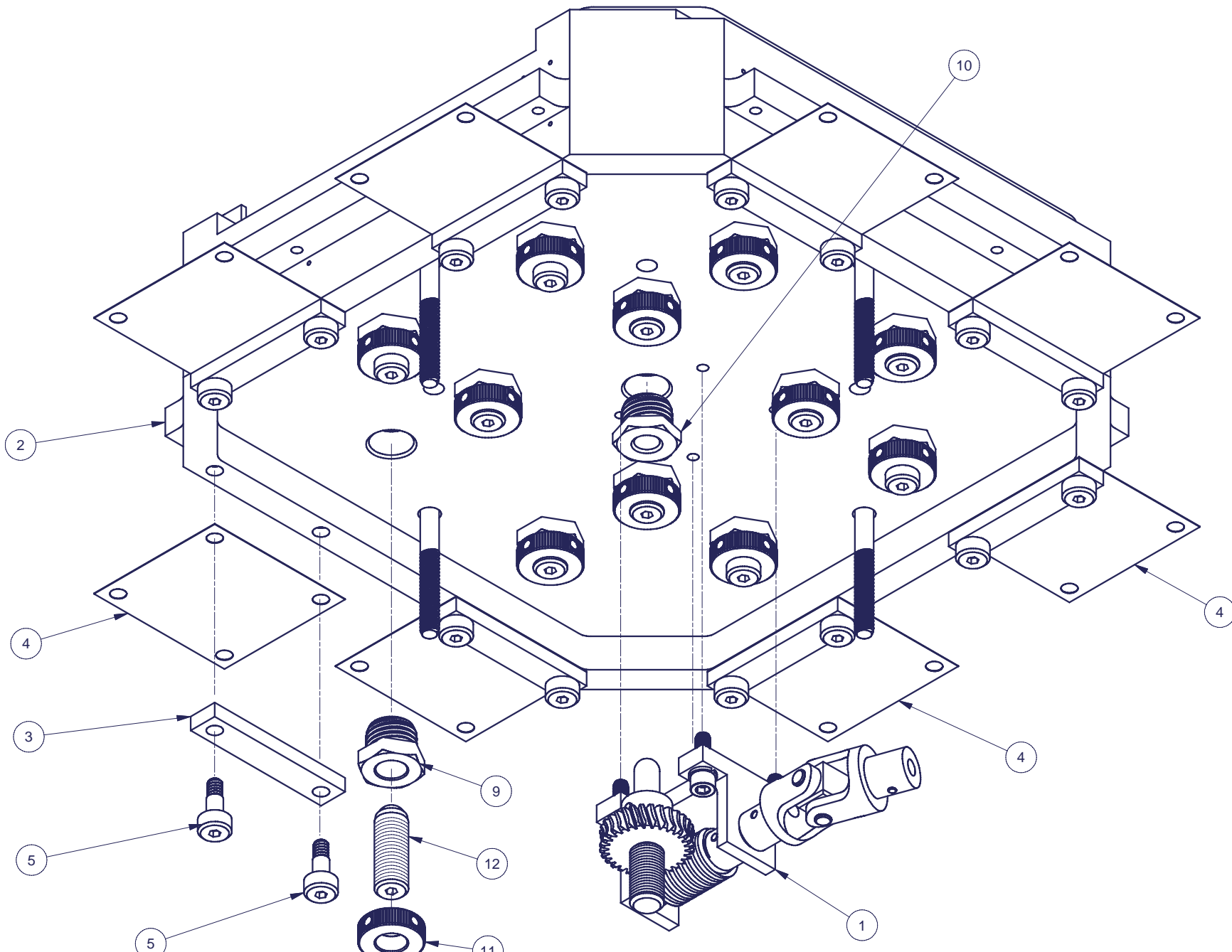


BOTTOM ISO VIEW  
SCALE 0.60 : 1

REV	CHANGES	DATE	BY	MATERIAL:	UNLESS OTHERWISE SPECIFIED: DIMENSIONS ARE IN INCHES BRAKE EDGES / REMOVE BURRS	**** FourStar	FS-01-001	DETECTOR	<b>THE OBSERVATORIES</b> CARNEGIE INSTITUTION OF WASHINGTON 813 SANTA BARBARA STREET PASADENA, CA. 91101-1232			
A	Production	6/30/2008	ERK	FINISH:	TOLERANCES: X.X± 0.03 ANGLES: 0.5° X.XX± 0.01 FRACTIONS: ± 1/16 X.XXX± 0.003	Designer: Persson	6/6/2008	USED ON				DWG NO.
				SCALE: As Noted	<b>DO NOT SCALE DRAWING</b>	Drawn: Koch	6/29/2008	APPLICATION	ASSY, INTERNAL DETECTOR OCTAGON			REV. <b>A</b>
									SHT 1 OF 3			



TOP ISO VIEW  
SCALE 1 : 1



BOTTOM VIEW  
SCALE 1 : 1

**** FourStar	DWG. NO.	REV. <b>A</b>
	<b>FS-01-004</b>	SHT 3 OF 3