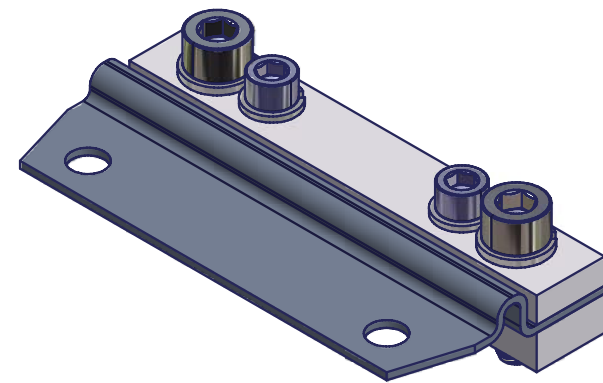


SCALE 2 : 1

PARTS LIST					
ITEM	QTY	PART #	VENDOR	DESCRIPTION	REV
1	1	FS-11-005		HEAT SINK CLAMP2, BASE PLATE	A
2	1	FS-11-006		HEAT SINK CLAMP2, TOP PLATE	A
3	2	FS-10-006	McM: 93235A108	SHCS 4-40 x 0.375 VENTED-CAPTIVE	A
4	2	92146A530	McMaster	SPRING LOCK WASHER No 4	BUY
5	2	92146A520	McMaster	SPRING LOCK WASHER No 2	BUY
6	2	92196A077	McMaster	SHCS 2-56 x 0.25	BUY
7	1	FS-11-040		OCTAGON INDIUM STRIP	A



SCALE 2 : 1

REV	CHANGES	DATE	BY	MATERIAL:	UNLESS OTHERWISE SPECIFIED: DIMENSIONS ARE IN INCHES BRAKE EDGES / REMOVE BURRS	**** FourStar	FS-01-001	DETECTOR	<h1>THE OBSERVATORIES</h1> <p>CARNEGIE INSTITUTION OF WASHINGTON 813 SANTA BARBARA STREET PASADENA, CA. 91101-1232</p>
A	Production	6/10/2008	ERK	FINISH:			XT.X±0.03	ANGLES:0.5°	
				SCALE:	X.XX±0.01	FRACTIONS:± 1/16	APPLICATION		
				As Noted	X.XXX±0.003		Designer: Persson	5/1/2004	
					DO NOT SCALE DRAWING		Drawn: Koch	6/10/2008	Drawings Printed on:
ASSY,HEAT SINK BETWEEN OCTAGONS								DWG NO.	REV. A
								FS-01-007	SHT 1 OF 1