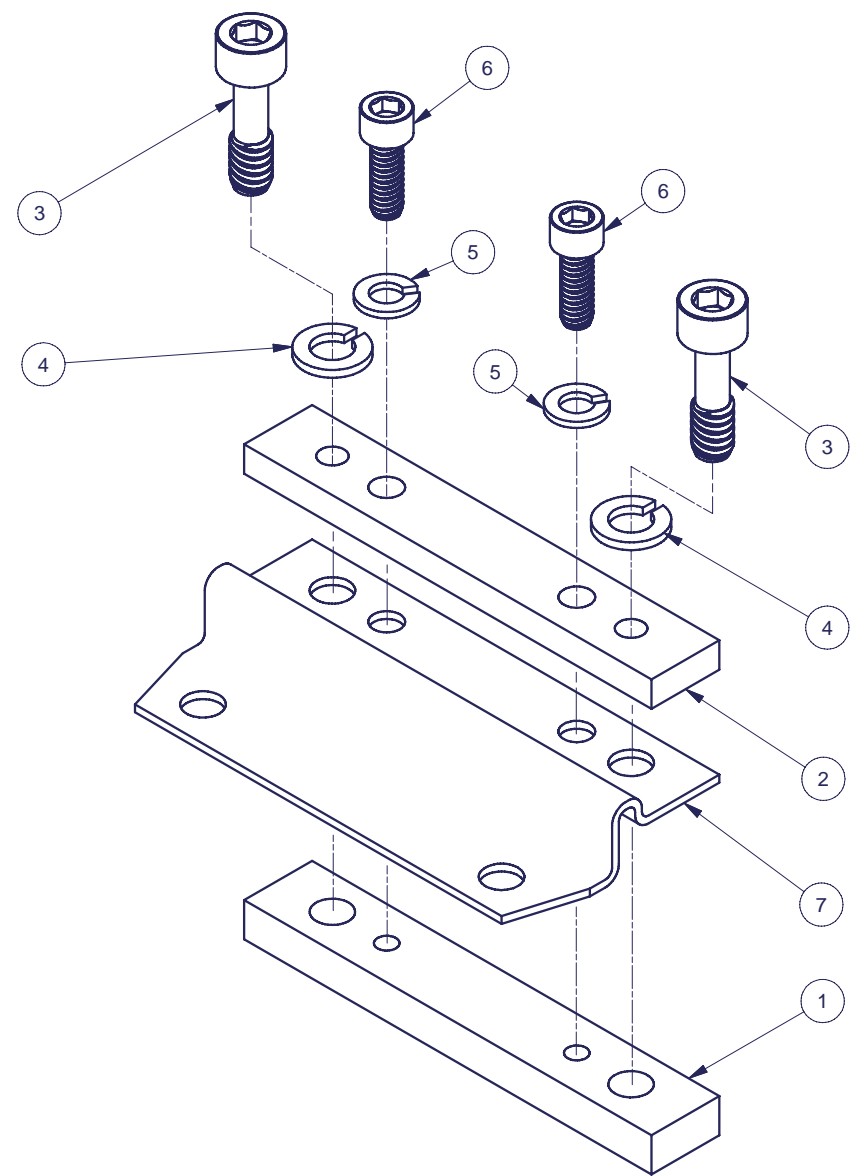
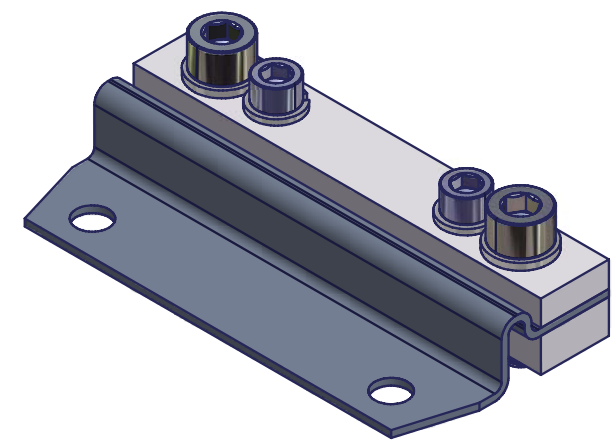


PARTS LIST

ITEM	QTY	PART #	VENDOR	DESCRIPTION	REV
1	1	FS-11-005		HEAT SINK CLAMP2, BASE PLATE	A
2	1	FS-11-006		HEAT SINK CLAMP2, TOP PLATE	A
3	2	FS-10-006	McM: 93235A108	SHCS 4-40 x 0.375 VENTED-CAPTIVE	A
4	2	92146A530	McMaster	SPRING LOCK WASHER No 4	BUY
5	2	92146A520	McMaster	SPRING LOCK WASHER No 2	BUY
6	2	92196A077	McMaster	SHCS 2-56 x 0.25	BUY
7	1	FS-11-041		OCTAGON INDIUM STRIP	A



SCALE 2 : 1



SCALE 2 : 1

REV	CHANGES	DATE	BY	MATERIAL:	UNLESS OTHERWISE SPECIFIED: DIMENSIONS ARE IN INCHES BRAKE EDGES / REMOVE BURRS	**** FourStar	FS-01-004	DETECTOR	<h1>THE OBSERVATORIES</h1> CARNEGIE INSTITUTION OF WASHINGTON 813 SANTA BARBARA STREET PASADENA, CA. 91101-1232	
A	Production	6/10/2008	ERK	FINISH:			TOLERANCES: X.X± 0.03 ANGLES:0.5° X.XX± 0.01 FRACTIONS:± 1/16 X.XXX± 0.003	NEXT ASSY		
				SCALE:	DO NOT SCALE DRAWING	Designer: Persson	5/1/2004	APPLICATION		DWG NO.
				As Noted		Drawn: Koch	6/10/2008	Drawings Printed on:	ASSY,HEAT SINK BETWEEN OCTAGONS	REV. A
									FS-01-008	SHT 1 OF 1