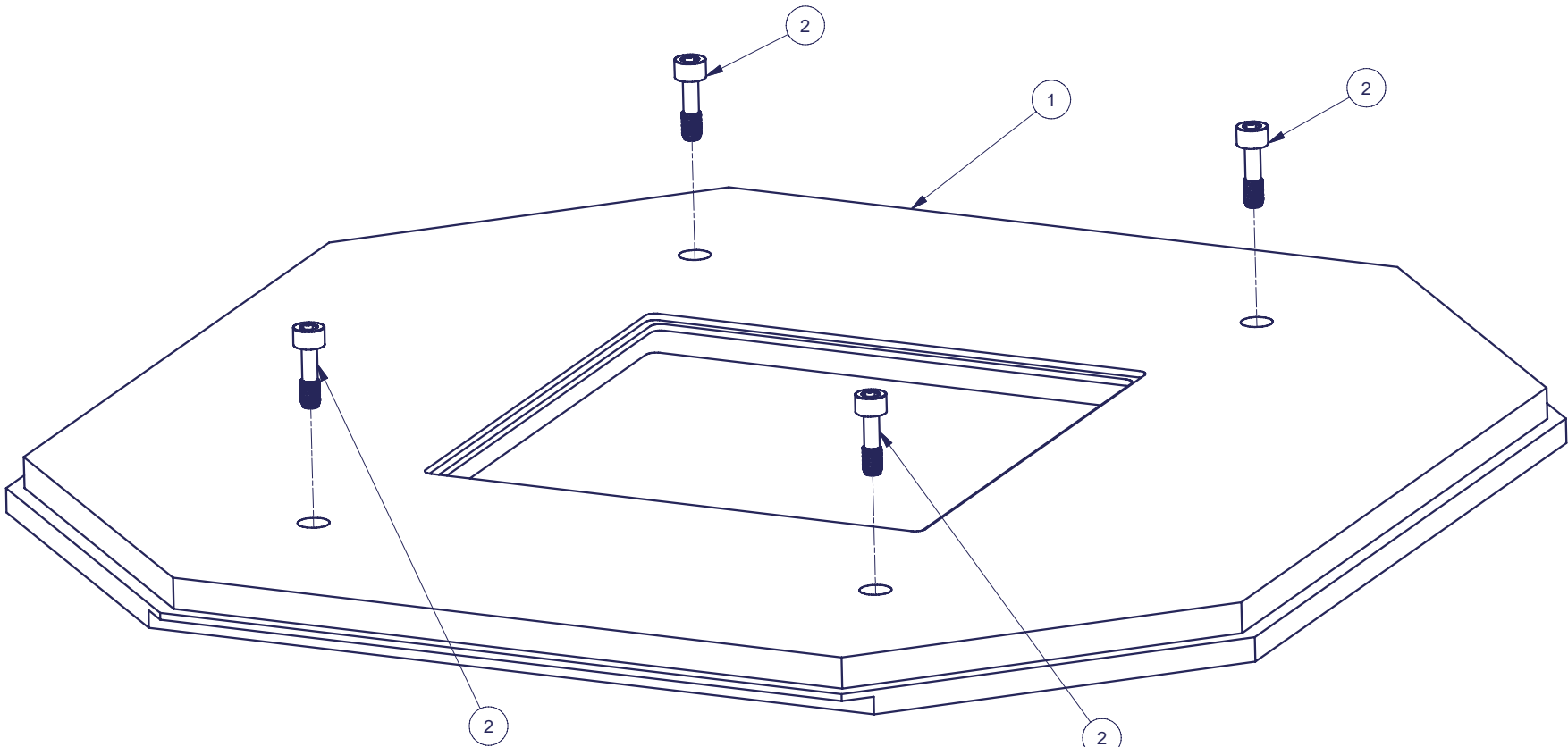


PARTS LIST					
ITEM	QTY	PART #	VENDOR	DESCRIPTION	REV
1	1	FS-11-030		COVER,DETECTOR LIGHT BAFFLE	B
2	4	FS-10-006	McM: 93235A108	SHCS 4-40 x 0.375 VENTED-CAPTIVE	A



SCALE 1 : 1

REV	CHANGES	DATE	BY	MATERIAL:	UNLESS OTHERWISE SPECIFIED: DIMENSIONS ARE IN INCHES BRAKE EDGES / REMOVE BURRS	**** FourStar	FS-01-001	Detector System	THE OBSERVATORIES CARNegie INSTITUTION OF WASHINGTON 813 SANTA BARBARA STREET PASADENA, CA. 91101-1232		
A	Production	7/30/2008	ERK	FINISH:			NEXT ASSY	USED ON			
				SCALE:	TOLERANCES:		APPLICATION			DWG NO.	
				As Noted	X.X± 0.03 ANGLES:0.5° X.XX± 0.01 FRACTIONS:± 1/16 X.XXX± 0.003	Designer: Persson	7/8/2008			ASSY,DETECTOR SYSTEM COVER	REV. A
					DO NOT SCALE DRAWING	Drawn: Koch	7/30/2008	Drawings Printed on:		FS-01-011	SHT 1 OF 1