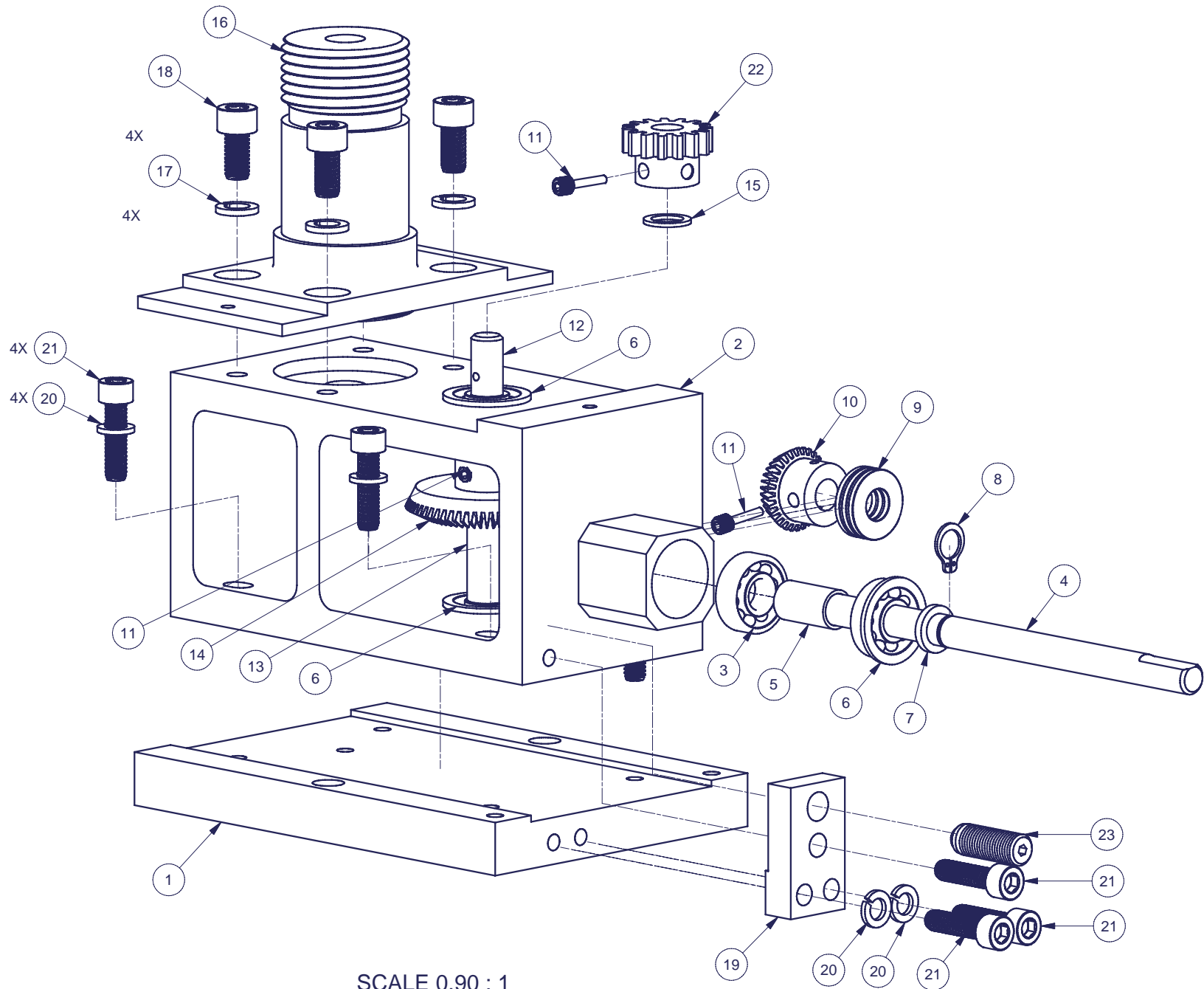


PARTS LIST					
ITEM	QTY	PART #	VENDOR	DESCRIPTION	REV
1	1	FS-13-001		INTERFACE PLATE, FIELD FLATTENER TOWER	A1
2	1	FS-13-002		BASE, FIELD FLATTENER TOWER	C
3	1	SR4	Champion	BALL BEARING, NO-FLANGE, .025 x 0.625 x 0.196	BUY
4	1	FS-13-004	PIC: A3-45	SHAFT, 0.25x4.50, BEVEL GEAR	A
5	1	FS-13-014	McM: 89785K828	SPACER, 0.257 ID x 0.547 LG.	A
6	3	SFR4	Champion	BALL BEARING, FLANGED, 0.25 x 0.625 x 0.125	BUY
7	1	B8-9	PIC	INNER RACE SPACER, 0.25X0.063	BUY
8	1	Z2-3	PIC	RETAINING RING, EXTERNAL, 0.250x0.025	BUY
9	2	ET-04-S	PIC	THRUST BEARING 0.253 x 0.559 x 0.195	BUY
10	1	GEAR-30	(PIC: N3-2-S)	MITER & BEVEL GEAR SET - 30 TEETH	BUY
11	3	FS-10-007	McM: 92311A148	SETScrew 6-32 & PIN 0.063DIAx0.350LG	A
12	1	FS-13-005	PIC: A3-23	SHAFT, 0.25x2.37 BEVEL GEAR	A
13	1	FS-13-015	McM: 89785K828	SPACER, 0.257 IDx0.738	A
14	1	GEAR-60	(PIC: N3-2-S)	MITER & BEVEL GEAR SET - 60 TEETH	BUY
15	1	B8-8	PIC	INNER RACE SPACER, 0.250X0.031	BUY
16	1	FS-13-003		SUPPORT, BEARING AXLE FFW	D
17	4	92146A550	McMaster	SPRING LOCK WASHER No 10	BUY
18	4	92196A267	McMaster	SHCS 10-32 x 0.375	BUY
19	1	FS-10-001		BRACKET, TOWER POSITION ADJUSTMENT	A
20	6	92146A545	McMaster	SPRING LOCK WASHER No 8	BUY
21	7	93235A196	McMaster	SHCS 8-32 x 0.625 VENTED	BUY
22	1	G41-15	PIC	SPUR GEAR, 0.625 PD, 24 PITCH, 0.25 HUB, 15 TEETH	BUY
23	1	F25SS075	THORLABS	FINE HEX ADJUSTER, 1/4"-80, 0.75 LONG	BUY

SCALE 1 : 1

REV	CHANGES	DATE	BY	MATERIAL:	UNLESS OTHERWISE SPECIFIED: DIMENSIONS ARE IN INCHES BRAKE EDGES / REMOVE BURRS	**** FourStar	FS-03-001	FFW	THE OBSERVATORIES CARNEGIE INSTITUTION OF WASHINGTON 813 SANTA BARBARA STREET PASADENA, CA. 91101-1232		
NR	Check Print	3/14/2007	ERK	FINISH:			Designer: Persson	11/2/2005			
A	Production	8/26/2008	ERK	SCALE: As Noted	TOLERANCES: X.X±0.1 ANGLES:0.5° X.XX±0.01 FRACTIONS:± 1/16 X.XXX±0.003	Drawn: Koch	3/13/2007	Drawings Printed on:	3/14/2007	ASSY, GEAR BASE, FIELD FLATTENER WHEEL	REV. A
										SHT 1 OF 2	



SCALE 0.90 : 1