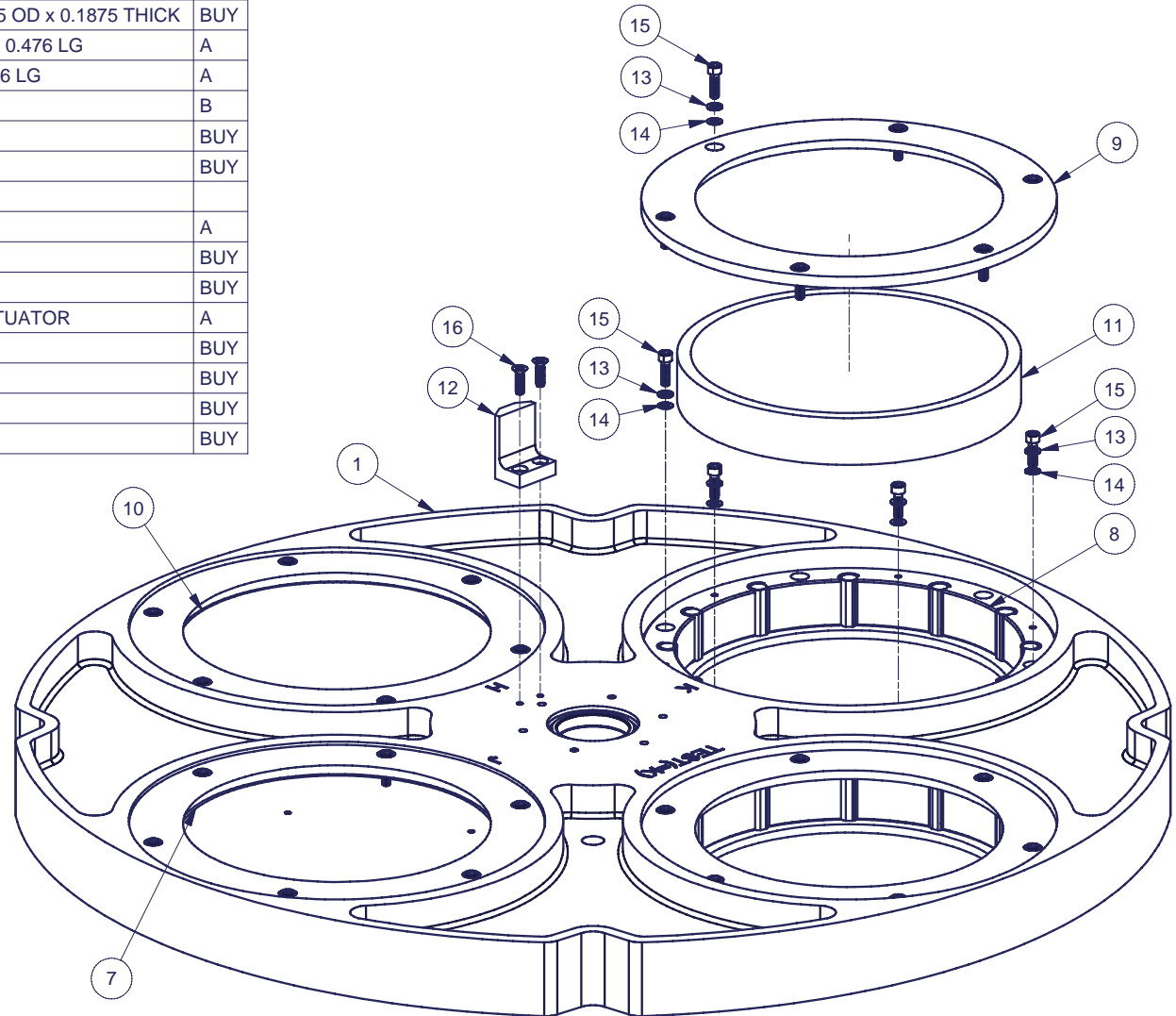


PARTS LIST					
ITEM	QTY	PART #	VENDOR	DESCRIPTION	REV
1	1	FS-13-006		WHEEL, FIELD FLATTENER	B
2	2	SAA10AG0	Kaydon	BEARINGS 1.000 BORE x 1.375 OD x 0.1875 THICK	BUY
3	1	FS-13-008		SPACER, 1.235 ID x 1.375 OD x 0.476 LG	A
4	1	FS-13-007		SPACER, 1.00 ID x 1.14 OD x 0.476 LG	A
5	1	FS-13-009	PIC: G41-60	GEAR, MODIFIED G41-60	B
6	6	91771A148	McMaster	FHMS 6-32 x 0.5 SSSL	BUY
7	1	LENS_J	JANOS	CORRECTOR LENS J BAND	BUY
8	4	FS-13-010	MADE BY JHU	SUPPORT, LENS HOLDER	
9	4	FS-13-011		COVER, LENS LOCK	A
10	1	LENS_H	JANOS	CORRECTOR LENS H BAND	BUY
11	1	LENS_K	JANOS	CORRECTOR LENS K BAND	BUY
12	1	FS-13-018		BRACKET, FFW POSITION ACTUATOR	A
13	48	92146A530	McMaster	SPRING LOCK WASHER No 4	BUY
14	48	90945A710	McMaster	FLAT WASHER No 4	BUY
15	48	92196A108	McMaster	SHCS 4-40 x 0.375 SSSL	BUY
16	2	91771A108	McMaster	FHMS 4-40 x 0.375	BUY

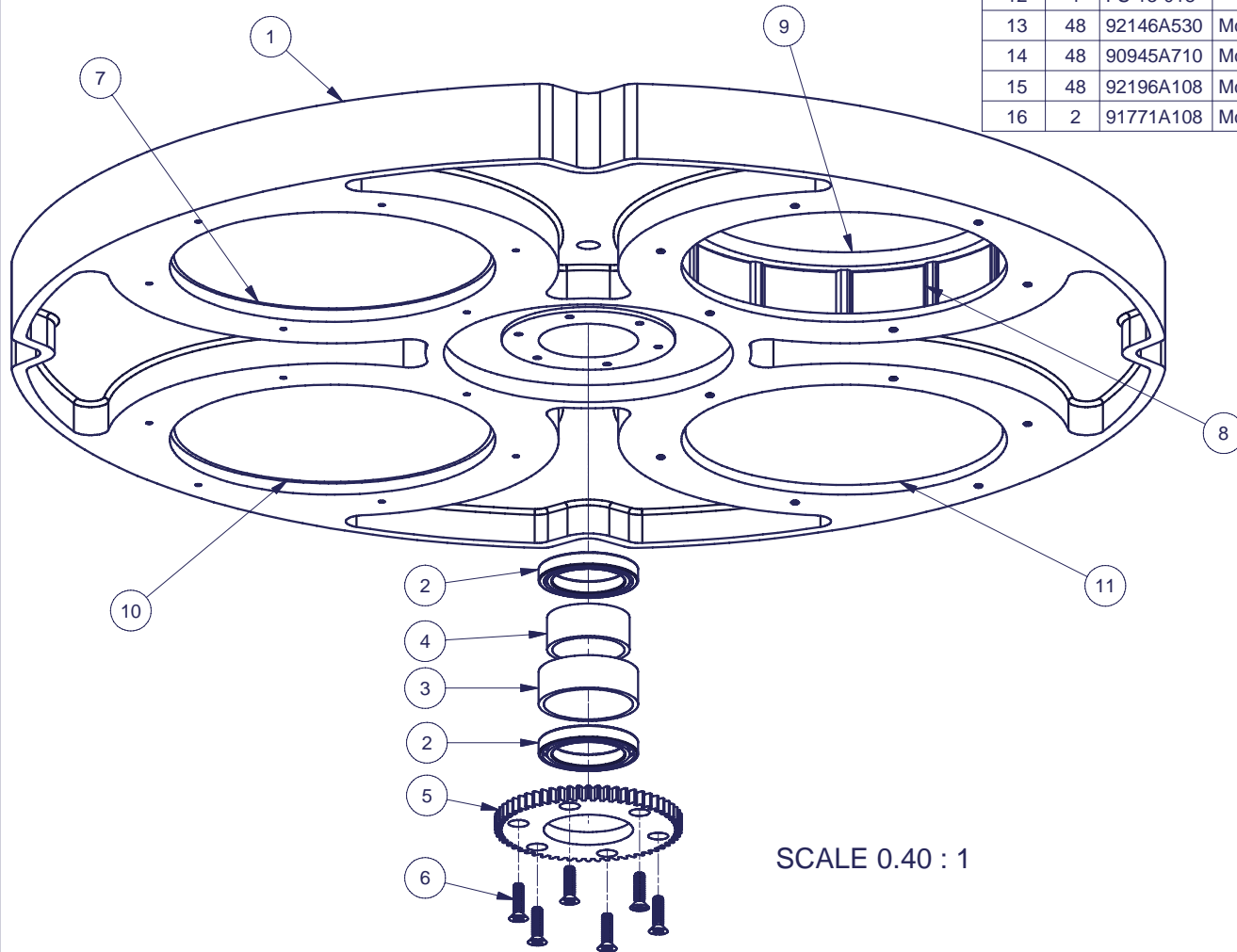


SCALE 0.40 : 1

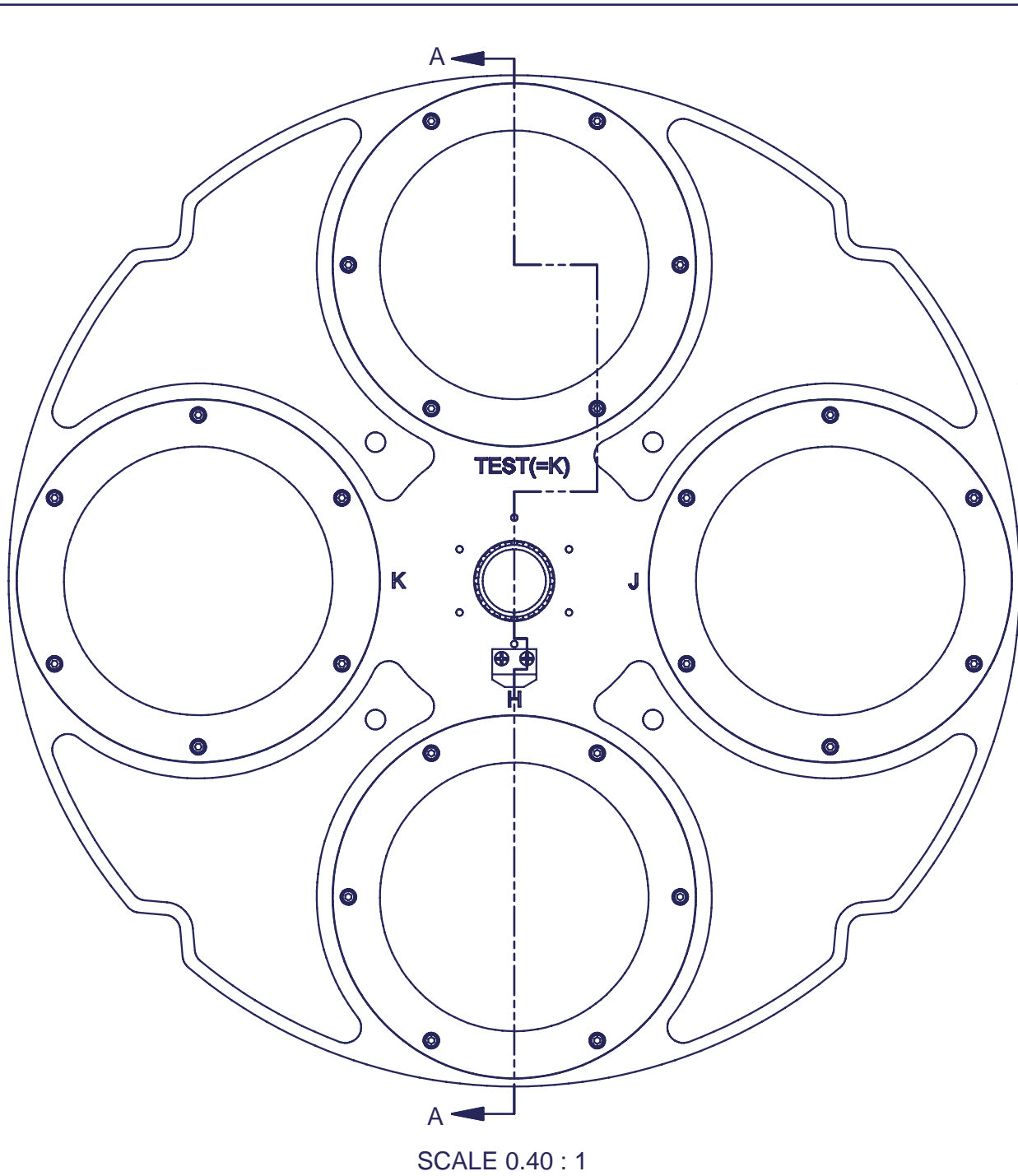
REV	CHANGES	DATE	BY	MATERIAL:	UNLESS OTHERWISE SPECIFIED: DIMENSIONS ARE IN INCHES BRAKE EDGES / REMOVE BURRS	**** FourStar	FS-03-001	FFW	<h1>THE OBSERVATORIES</h1> <p>CARNEGIE INSTITUTION OF WASHINGTON 813 SANTA BARBARA STREET PASADENA, CA. 91101-1232</p>
A	Production	8/28/2008	ERK	FINISH:			DESIGNER: Persson	1/8/2006	
				TOLERANCES:	Drawn: Koch	8/28/2008	Drawings Printed on:	ASSY, FIELD FLATTENER WHEEL	
				SCALE: As Noted	X.X± 0.03 ANGLES: 0.5° X.XX± 0.01 FRACTIONS: ± 1/16 X.XXX± 0.003			REV. A SHT 1 OF 3	
					DO NOT SCALE DRAWING				FS-03-003

PARTS LIST

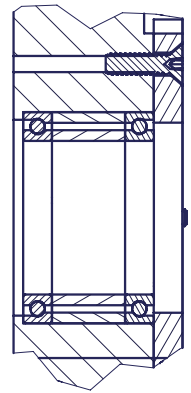
ITEM	QTY	PART #	VENDOR	DESCRIPTION	REV
1	1	FS-13-006		WHEEL, FIELD FLATTENER	B
2	2	SAA10AG0	Kaydon	BEARINGS 1.000 BORE x 1.375 OD x 0.1875 THICK	BUY
3	1	FS-13-008		SPACER, 1.235 ID x 1.375 OD x 0.476 LG	A
4	1	FS-13-007		SPACER, 1.00 ID x 1.14 OD x 0.476 LG	A
5	1	FS-13-009	PIC: G41-60	GEAR, MODIFIED G41-60	B
6	6	91771A148	McMaster	FHMS 6-32 x 0.5 SSTL	BUY
7	1	LENS_J	JANOS	CORRECTOR LENS J BAND	BUY
8	4	FS-13-010	MADE BY JHU	SUPPORT, LENS HOLDER	
9	4	FS-13-011		COVER, LENS LOCK	A
10	1	LENS_H	JANOS	CORRECTOR LENS H BAND	BUY
11	1	LENS_K	JANOS	CORRECTOR LENS K BAND	BUY
12	1	FS-13-018		BRACKET, FFW POSITION ACTUATOR	A
13	48	92146A530	McMaster	SPRING LOCK WASHER No 4	BUY
14	48	90945A710	McMaster	FLAT WASHER No 4	BUY
15	48	92196A108	McMaster	SHCS 4-40 x 0.375 SSTL	BUY
16	2	91771A108	McMaster	FHMS 4-40 x 0.375	BUY



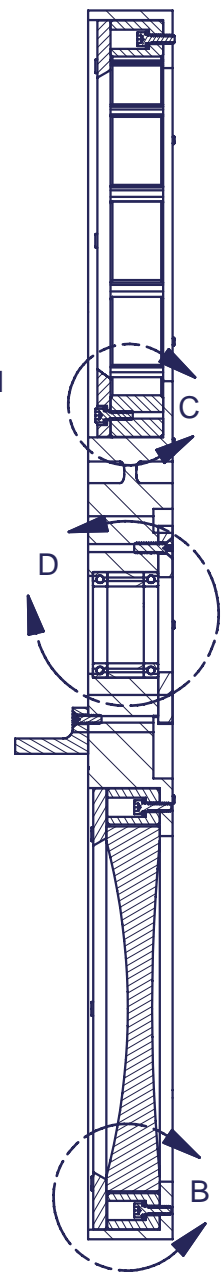
SCALE 0.40 : 1



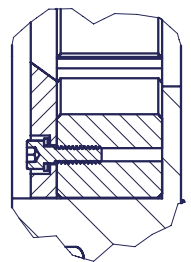
SCALE 0.40 : 1



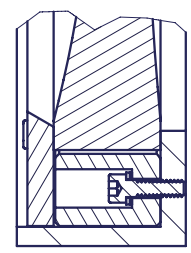
DETAIL D
SCALE 0.80 : 1



SECTION A-A
SCALE 0.40 : 1



DETAIL C
SCALE 0.80 : 1



DETAIL B
SCALE 0.80 : 1

**** FourStar	DWG. NO.	REV. A
	FS-03-003	SHT 3 OF 3