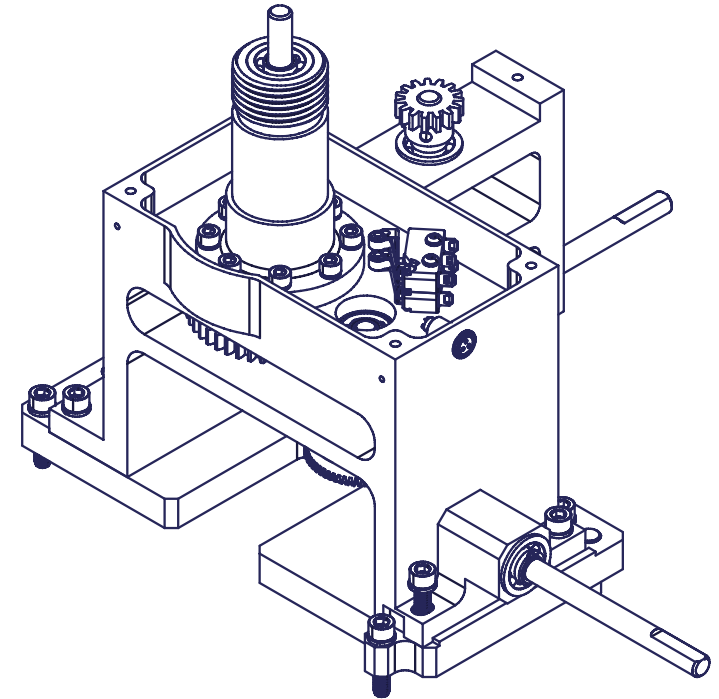
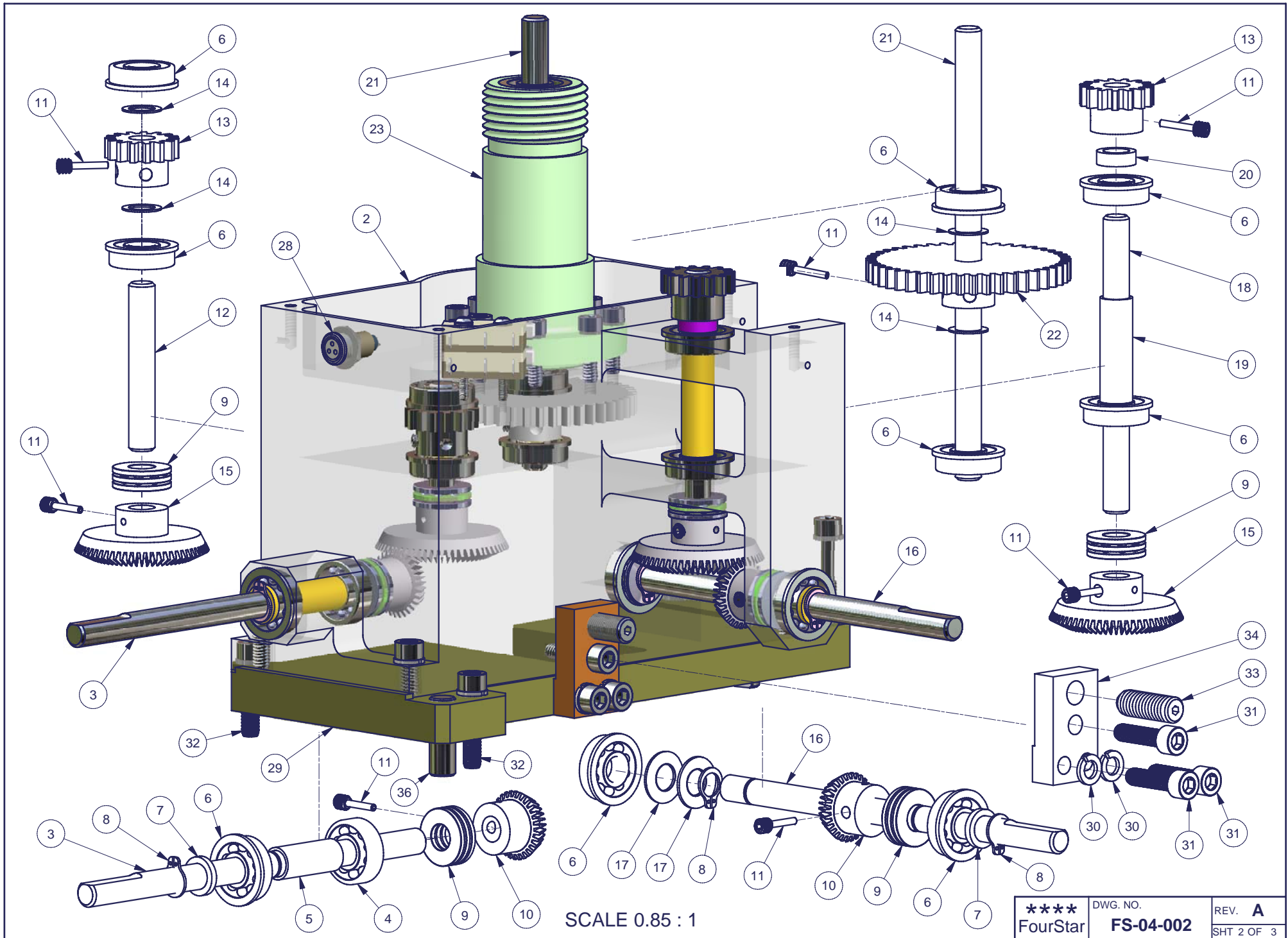


PARTS LIST					
ITEM	QTY	PART #	VENDOR	DESCRIPTION	REV
1	2	XCG3-S1	SAIA-Burgess	MICROSWITCH SP-NO-NC	BUY
2	1	FS-14-002		BASE, FILTER WHEEL TOWER	C
3	1	FS-14-004	PIC: A3-45	SHAFT,0.250x4.5,INPUT TOP FW	A
4	1	SR4	Champion	BALL BEARING,NO-FLANGE ,0.25 x 0.625 x 0.196	BUY
5	1	FS-14-026	McM: 89785K828	SPACER,0.257 ID x 0.745 LG.	A
6	10	SFR4	Champion	BALL BEARING,FLANGED, 0.25 x 0.625 x 0.125	BUY
7	2	B8-9	PIC	INNER RACE SPACER,0.25X0.063	BUY
8	3	Z2-3	PIC	RETAINING RING,EXTERNAL,0.250x0.025	BUY
9	4	ET-04-S	PIC	THRUST BEARING 0.253 x 0.559 x 0.195	BUY
10	2	GEAR-30	(PIC: N3-2-S)	MITER & BEVEL GEAR SET - 30 TEETH	BUY
11	7	FS-10-007	McM: 92311A148	SETSCREW 6-32 & PIN 0.063DIAx0.350LG	A
12	1	FS-14-005	PIC: A3-16	SHAFT,0.250x1.63,SMALL GEAR TOP FW	A
13	2	G41-15	PIC	SPUR GEAR,0.625 PD,24 PITCH,0.25 HUB,15 TEETH	BUY
14	4	B8-7	PIC	INNER RACE SPACER,0.25 ID x 0.016	BUY
15	2	GEAR-60	(PIC: N3-2-S)	MITER & BEVEL GEAR SET - 60 TEETH	BUY
16	1	FS-14-007	PIC: A3-45	SHAFT,0.250x4.50,INPUT BOTTOM FW	A
17	2	D6-24	PIC	BELLEVILLE SPRING WASHER 0.255x0.500x0.025 THK	BUY
18	1	FS-14-008	PIC: A3-28	SHAFT,0.250x2.87,GEAR BOTTOM FW	A
19	1	FS-14-027	McM: 89785K828	SPACER,0.257 ID x 1.062 LG.	A
20	1	B8-11	PIC	INNER RACE SPACER,0.250X0.125	BUY
21	1	FS-14-006	PIC: A3-43	SHAFT,0.250x4.37,LARGE GEAR TOP FW	A
22	1	G41-45	PIC	SPUR GEAR,1.875 PD,24 PITCH,0.25 HUB,45 TEETH	BUY
23	1	FS-14-003		SUPPORT,BEARING AXLE FW	B
24	8	92196A148	McMaster	SHCS 6-32 x 0.5	BUY
25	8	92146A540	McMaster	SPRING LOCK WASHER No 6	BUY
26	2	92146A520	McMaster	SPRING LOCK WASHER No 2	BUY
27	2	92949A084	McMaster	SHCS-BH 2-56 x 0.75	BUY
28	1	EGG.00.303.CLL	LEMO	CONNECTOR-RECEPTACLE,3 PIN	BUY
29	1	FS-14-001		SUPPORT,FILTER WHEEL TOWER	A1
30	10	92146A545	McMaster	SPRING LOCK WASHER No 8	BUY
31	7	93235A196	McMaster	SHCS 8-32 x 0.625 VENTED	BUY
32	4	FS-10-003	McM: 93235A197	SHCS 8-32x0.75 VENTED CAPTIVE	A
33	1	F25SS075	THORLABS	FINE HEX ADJUSTER, 1/4"-80,0.75 LONG	BUY
34	1	FS-10-001		BRACKET,TOWER POSITION ADJUSTMENT	A
35	1	FS-10-004	PIC: D11-750	PIN, 0.250 x 0.750 - MODIFIED	A
36	1	D11-750	PIC	PIN, 0.25 x 0.750	BUY



SCALE 1 / 2

REV	CHANGES	DATE	BY	MATERIAL:	UNLESS OTHERWISE SPECIFIED: DIMENSIONS ARE IN INCHES BRAKE EDGES / REMOVE BURRS	**** FourStar	FS-04-001	Filter Wheels	<b>THE OBSERVATORIES</b> CARNEGIE INSTITUTION OF WASHINGTON 813 SANTA BARBARA STREET PASADENA, CA. 91101-1232		DWG NO.	REV. <b>A</b>
A	Production	6/22/2007	ERK	FINISH:	TOLERANCES: X.X± 0.03 ANGLES:0.5° X.XX± 0.01 FRACTIONS:± 1/16 X.XXX± 0.003	Designer: Persson	11/17/2005	USED ON			APPLICATION	ASSY,GEAR BASE,FILTER WHEELS
				SCALE: As Noted	<b>DO NOT SCALE DRAWING</b>	Drawn: Koch	6/6/2009	Drawings Printed on:	6/6/2009			



SCALE 0.85 : 1

**** FourStar	DWG. NO.	REV. <b>A</b>
	<b>FS-04-002</b>	SHT 2 OF 3

