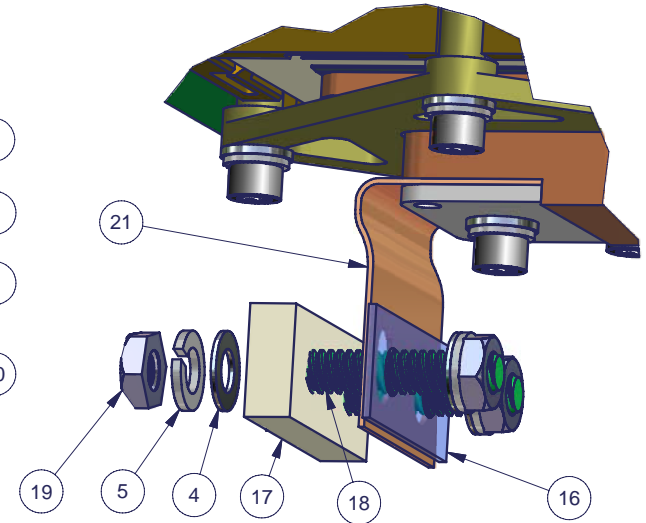


PARTS LIST					
ITEM	QTY	PART #	VENDOR	DESCRIPTION	REV
1	1	ASIC-CINCH	Rockwell	ASSY,PCB-ASICs-SOCKETS	BUY
2	1	FS-15-001		BOX,ASIC ENCLOSURE	A
3	1	FS-15-003		BASE LEG,LEFT,ASIC SYSTEM	A
4	14	90945A710	McMaster	FLAT WASHER No 4	BUY
5	14	92146A530	McMaster	SPRING LOCK WASHER No 4	BUY
6	6	92196A108	McMaster	SHCS 4-40 x 0.375 SSTL	BUY
7	4	90945A715	McMaster	FLAT WASHER No 6	BUY
8	4	92146A540	McMaster	SPRING LOCK WASHER No 6	BUY
9	4	FS-10-005	McMaster	SHCS 6-32 x 3/8 VENTED CAPTIVE	A
10	1	FS-15-004		BASE LEG,RIGHT,ASIC SYSTEM	A
11	4	90945A705	McMaster	FLAT WASHER No 2	BUY
12	6	92146A520	McMaster	SPRING LOCK WASHER No 2	BUY
13	6	91793A077	McMaster	PAN-HEAD-SLOT 2-56x0.250	BUY
14	1	ASIC-CABLE-1		ASIC DATA CABLE-1	BUY
15	1	ASIC-CABLE-2		ASIC DATA CABLE-2	BUY
16	2	FS-15-007		INSULATOR,HEAT SINK	A
17	2	FS-15-005		SUPPORT,HEAT SINK	A
18	4	4-40_G10		G10 THREADED ROD 4-40 x 0.6	BUY
19	8	90730A005	McMaster	HEX-NUT 4-40	BUY
20	1	FS-15-002		COVER,ASIC ENCLOSURE	A
21	2	FS-15-006		HEAT SINK COPPER STRIP	A



REV	CHANGES	DATE	BY	MATERIAL:	UNLESS OTHERWISE SPECIFIED: DIMENSIONS ARE IN INCHES BRAKE EDGES / REMOVE BURRS TOLERANCES: X.X±0.03 ANGLES:0.5° X.XX±0.01 FRACTIONS:± 1/16 X.XXX±0.003 DO NOT SCALE DRAWING	**** FourStar Designer: Koch 1/13/2006 Drawn: Koch 3/26/2008	NEXT ASSY	USED ON	<h1>THE OBSERVATORIES</h1> CARNEGIE INSTITUTION OF WASHINGTON 813 SANTA BARBARA STREET PASADENA, CA. 91101-1232 ASSY,ASICs SYSTEM	DWG NO.	REV. A	
A	Production	3/26/2008	ERK	FINISH:			APPLICATION				FS-05-001	SHT 1 OF 1
				SCALE:								
				As Noted								