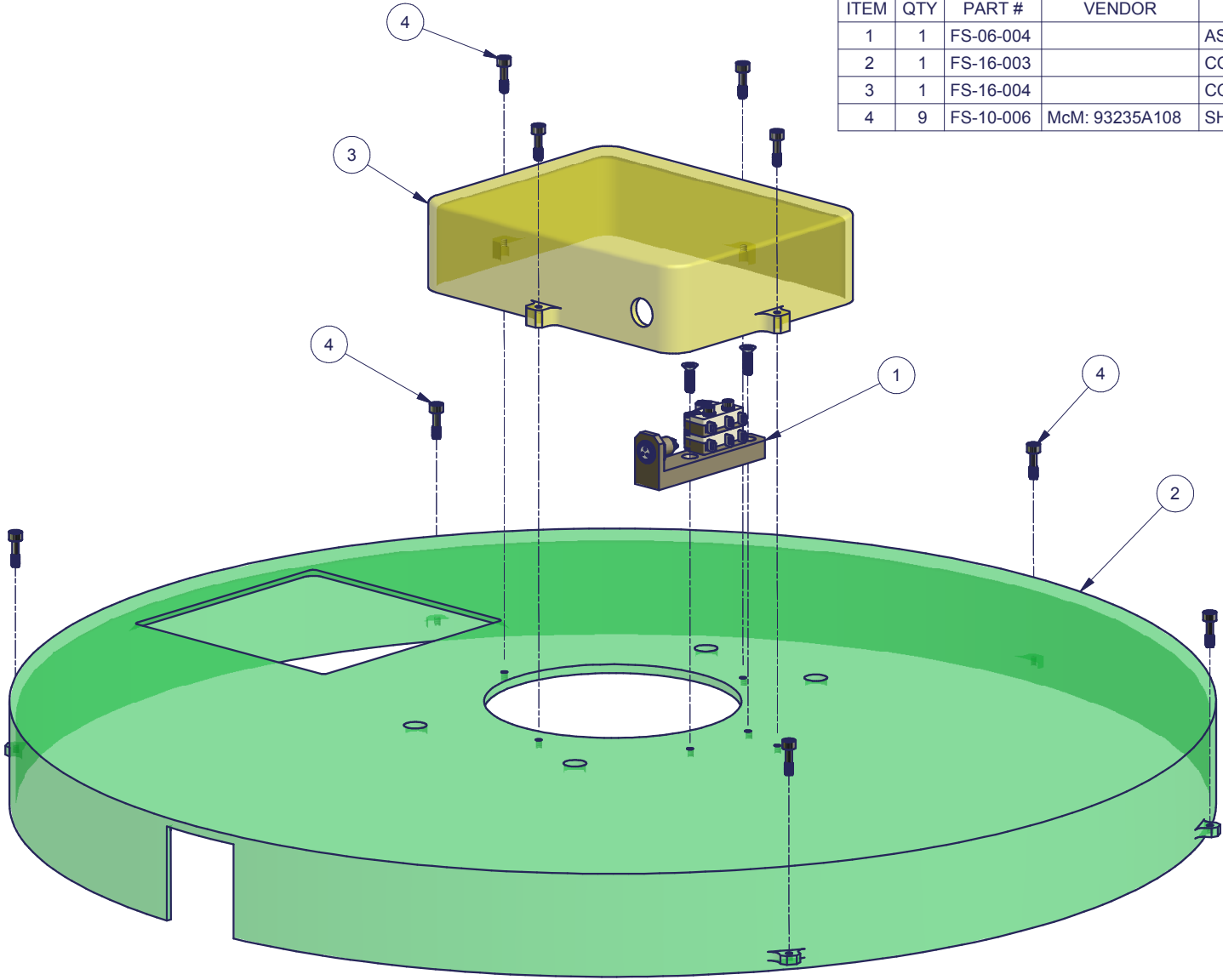


PARTS LIST					
ITEM	QTY	PART #	VENDOR	DESCRIPTION	REV
1	1	FS-06-004		ASSY,FW ZERO POS. ENCODING SWITCHES	A
2	1	FS-16-003		COVER,FILTER WHEEL LIGHT BAFFLE	A
3	1	FS-16-004		COVER,FFW POSITION SWITCH	A
4	9	FS-10-006	McM: 93235A108	SHCS 4-40 x 0.375 VENTED-CAPTIVE	A



SCALE 0.45 : 1

REV	CHANGES	DATE	BY	MATERIAL:	UNLESS OTHERWISE SPECIFIED: DIMENSIONS ARE IN INCHES BRAKE EDGES / REMOVE BURRS	**** FourStar	NEXT ASSY	USED ON	<h1>THE OBSERVATORIES</h1> CARNEGIE INSTITUTION OF WASHINGTON 813 SANTA BARBARA STREET PASADENA, CA. 91101-1232	
A	Production	10/6/2008	ERK	FINISH:			TOLERANCES:	APPLICATION		
				SCALE:	X.X± 0.03 ANGLES:0.5°	Designer: Persson	2/14/2006		ASSY COVER,	REV. <b>A</b>
				As Noted	X.XX± 0.01 FRACTIONS:± 1/16	Drawn: Koch	10/6/2008	Drawings Printed on:	TOP FILTER WHEEL LIGHT BAFFLE	
					X.XXX± 0.003				<b>FS-06-003</b>	
					<b>DO NOT SCALE DRAWING</b>					