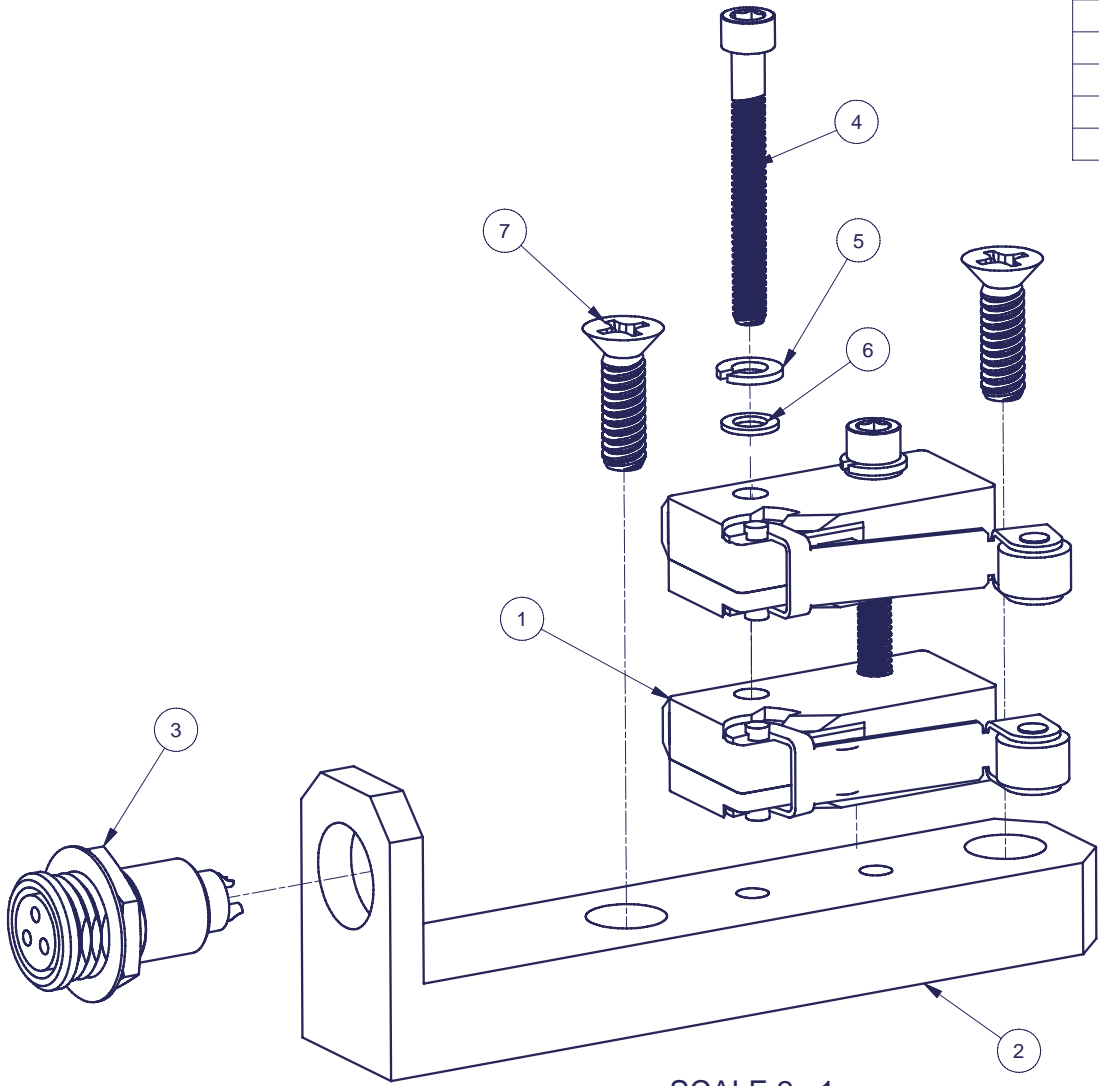


PARTS LIST					
ITEM	QTY	PART #	VENDOR	DESCRIPTION	REV
1	2	XCG3-S1	SAIA-Burgess	MICROSWITCH SP-NO-NC	BUY
2	1	FS-16-008		SUPPORT,LEMO CONN. & SWITCHES	NR
3	1	EGG.00.303.CLL	LEMO	CONNECTOR-RECEPTACLE,3 PIN	BUY
4	2	92196A084	McMaster	SHCS 2-56 x 0.75	BUY
5	2	92146A520	McMaster	SPRING LOCK WASHER No 2	BUY
6	2	90945A705	McMaster	FLAT WASHER No 2	BUY
7	2	91771A108	McMaster	FHMS 4-40 x 0.375	BUY



SCALE 2 : 1

REV	CHANGES	DATE	BY	MATERIAL:	UNLESS OTHERWISE SPECIFIED: DIMENSIONS ARE IN INCHES BRAKE EDGES / REMOVE BURRS	**** FourStar	NEXT ASSY	USED ON	<h1>THE OBSERVATORIES</h1> <p>CARNEGIE INSTITUTION OF WASHINGTON 813 SANTA BARBARA STREET PASADENA, CA. 91101-1232</p>
A	Production	4/5/2008	ERK	FINISH:			TOLERANCES:	APPLICATION	
				SCALE:	X.X± 0.03 ANGLES:0.5° X.XX± 0.01 FRACTIONS:± 1/16 X.XXX± 0.003	Designer: Persson	2/7/2008		
				As Noted	DO NOT SCALE DRAWING	Drawn: Koch	4/5/2008	Drawings Printed on: 4/5/2008	ASSY,FFW ZERO POS. ENCODING SWITCHES
									DWG NO. FS-06-005
									REV. A SHT 1 OF 1