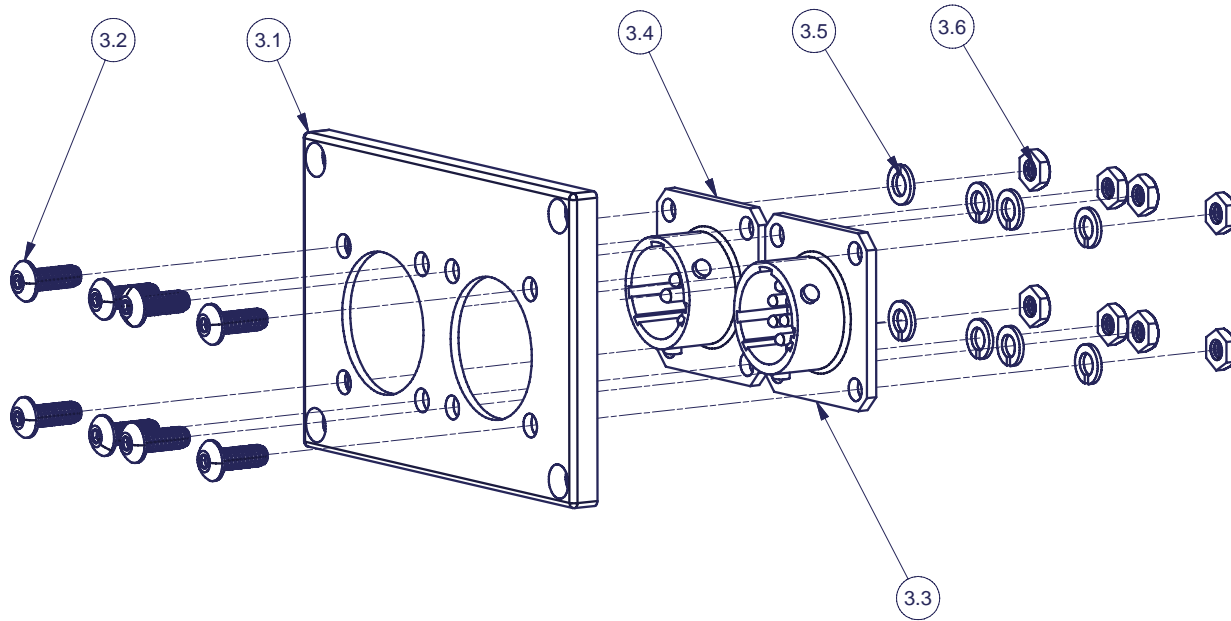


PARTS LIST					
ITEM	QTY	PART #	VENDOR	DESCRIPTION	REV
3	1	FS-07-010		ASSY,COVER/CONNECTORS	B
3.1	1	FS-17-007		COVER,CONNECTOR,DECODER BOX	A
3.2	8	92949A107	McMaster	SHBH 4-40x0.3125	BUY
3.6	8	90730A005	McMaster	HEX-NUT 4-40	BUY
3.3	1	JT02A-10-13P	BENDIX or equiv.	CONNECTOR,13 PINS, MALE	BUY
3.4	1	JT02A-10-5P	BENDIX or equiv.	CONNECTOR,5 PINS, MALE	BUY
3.5	8	92146A530	McMaster	SPRING LOCK WASHER No 4	BUY



FS-07-010
SCALE 1 : 1