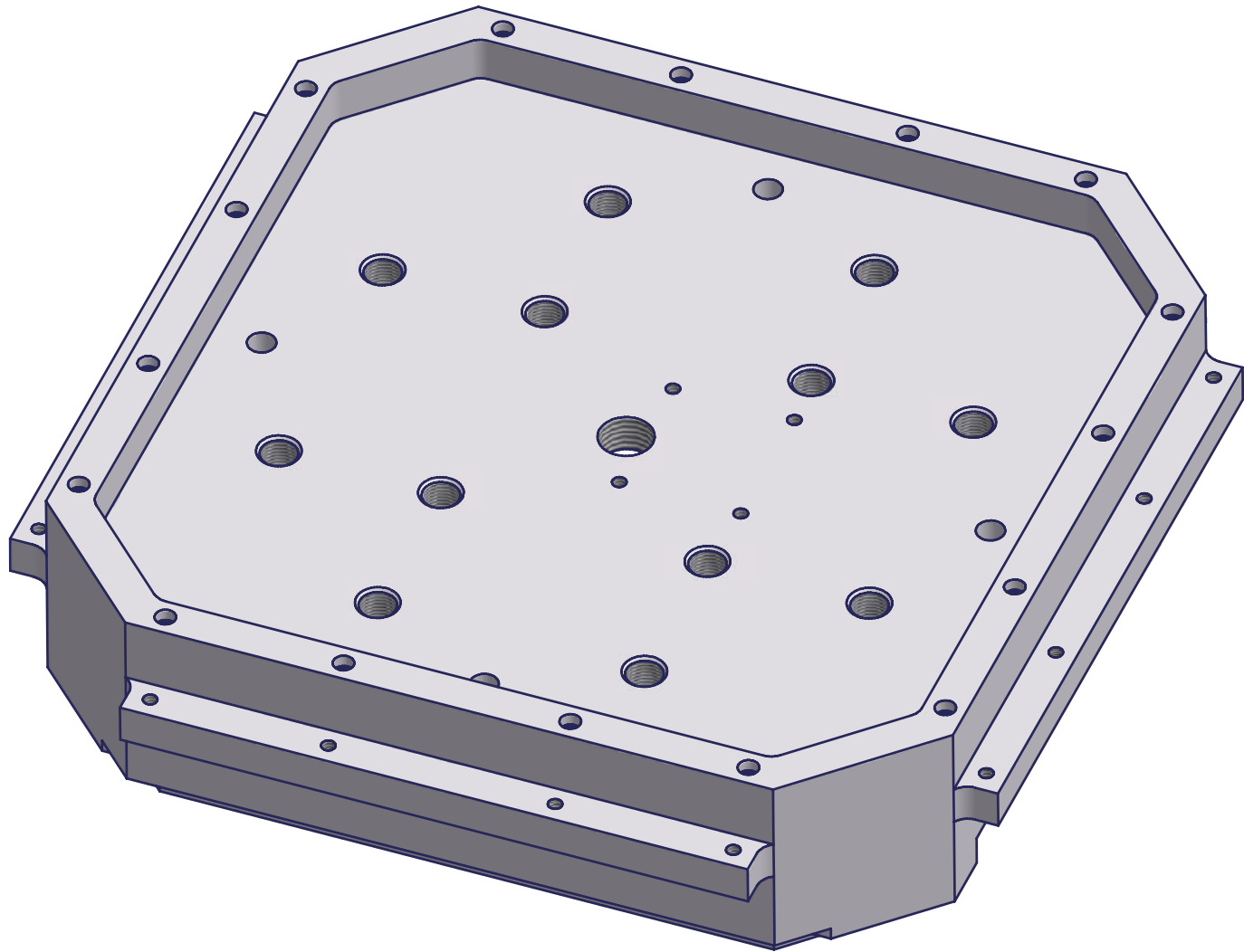


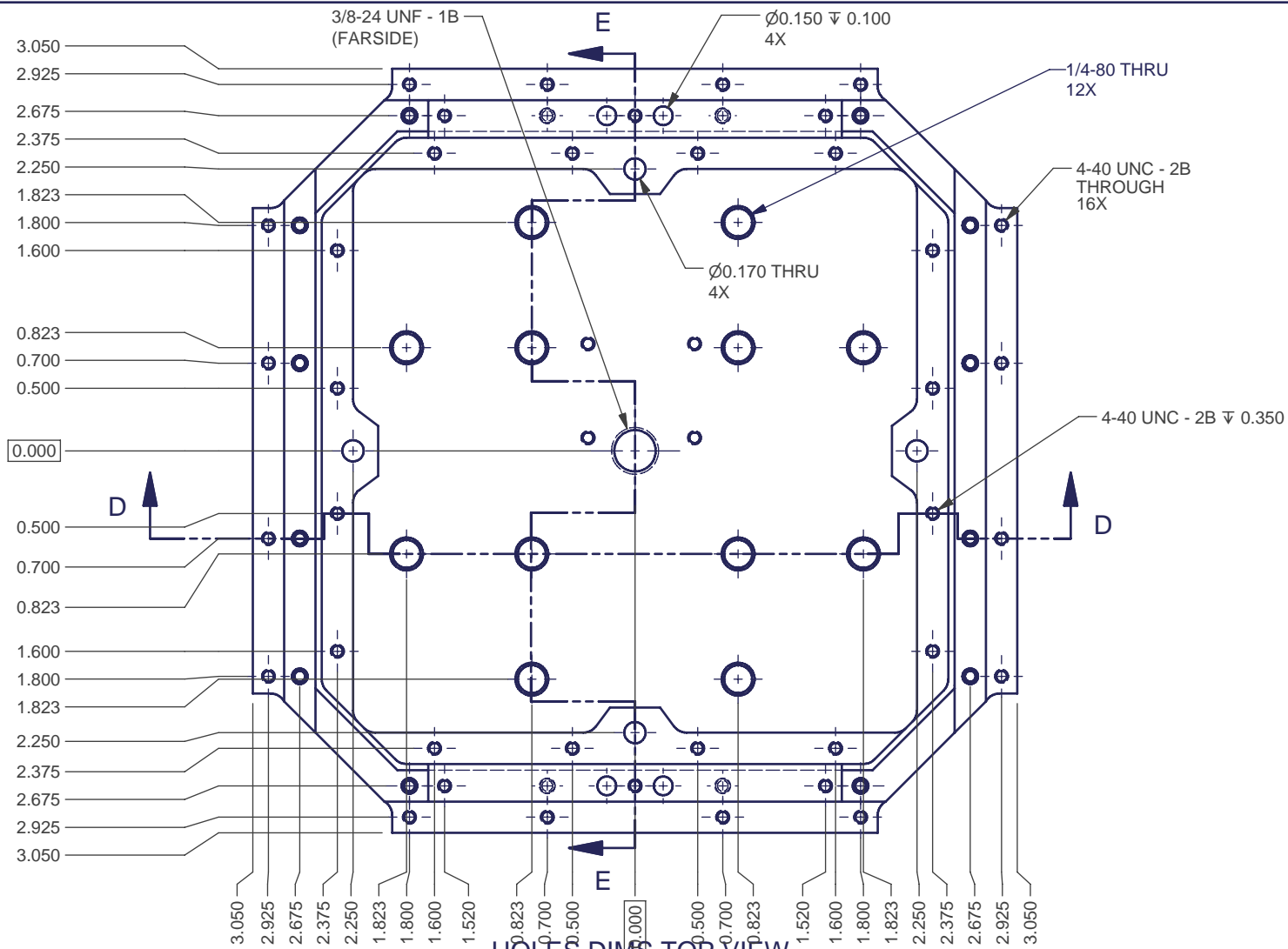
TOP VIEW
SCALE 1 : 1

- 1 NOTES:
 MATERIAL: ALUMINUM K100-S
 2 FINISH: NONE

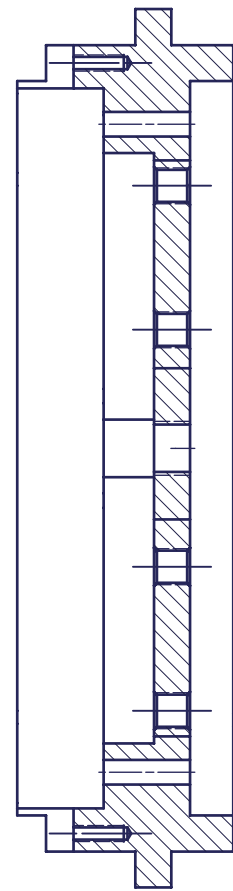
REV	CHANGES	DATE	BY	MATERIAL:	UNLESS OTHERWISE SPECIFIED: DIMENSIONS ARE IN INCHES BRAKE EDGES / REMOVE BURRS	**** FourStar	FS-01-001	DETECTOR	THE OBSERVATORIES CARNEGIE INSTITUTION OF WASHINGTON 813 SANTA BARBARA STREET PASADENA, CA. 91101-1232	
A	Production	7/12/2004	ERK	1			TOLERANCES:	NEXT ASSY		
				FINISH:	ANGLES:0.5°		APPLICATION			
				2	FRACTIONS:± 1/16					
				SCALE:	X.X± 0.1		Designer: Persson	4/18/2004		DWG NO.
				AS NOTED	X.XX± 0.03		Drawn: Koch	4/18/2004	Drawings Printed on:	7/11/2004
					X.XXX± 0.010	DO NOT SCALE DRAWING			SUPPORT, INNER OCTAGON, DETECTOR HOLDER	REV. A SHT 1 OF 6
									FS-11-010	



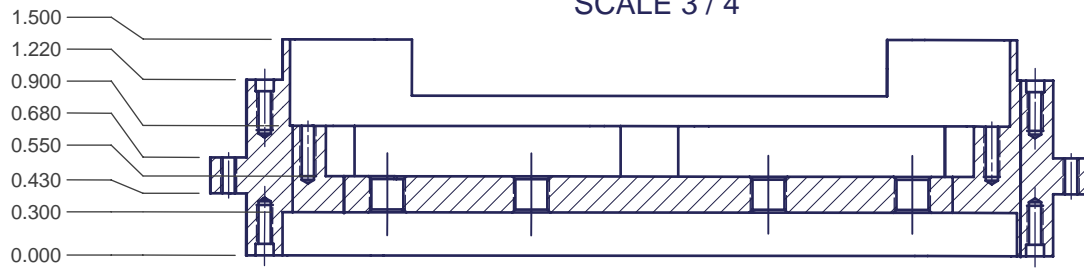
BOTTOM VIEW
SCALE 1 : 1



HOLES DIMS TOP VIEW
SCALE 3 / 4

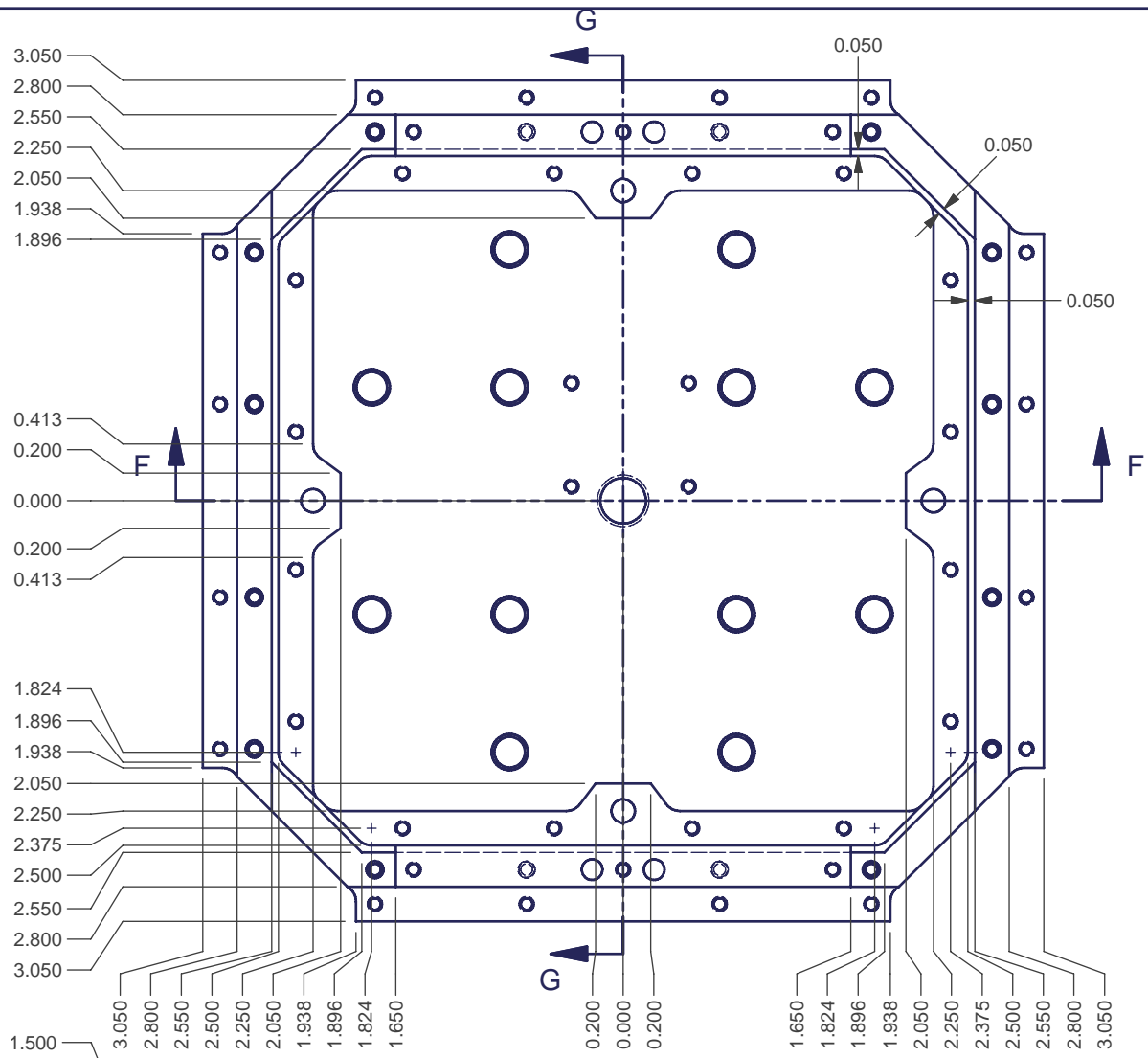


SECTION E-E
SCALE 3 / 4

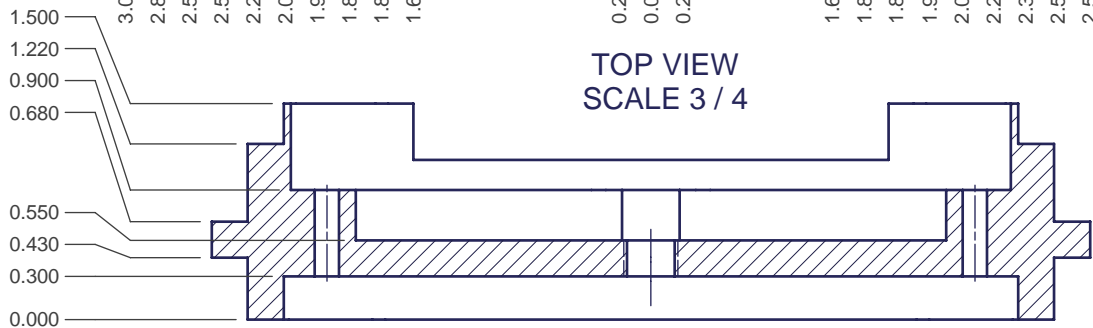


SECTION D-D
SCALE 3 / 4

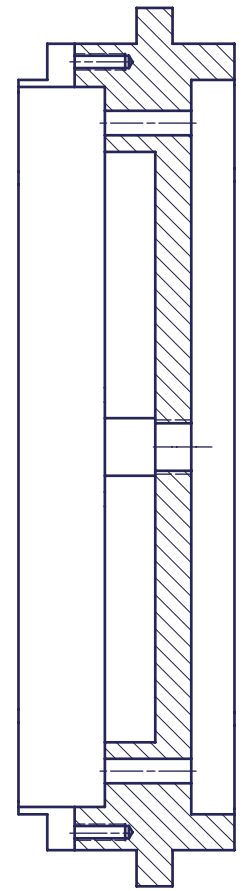
**** FourStar	DWG. NO.	REV. A
	FS-11-010	SHT3 OF 6



TOP VIEW
SCALE 3 / 4

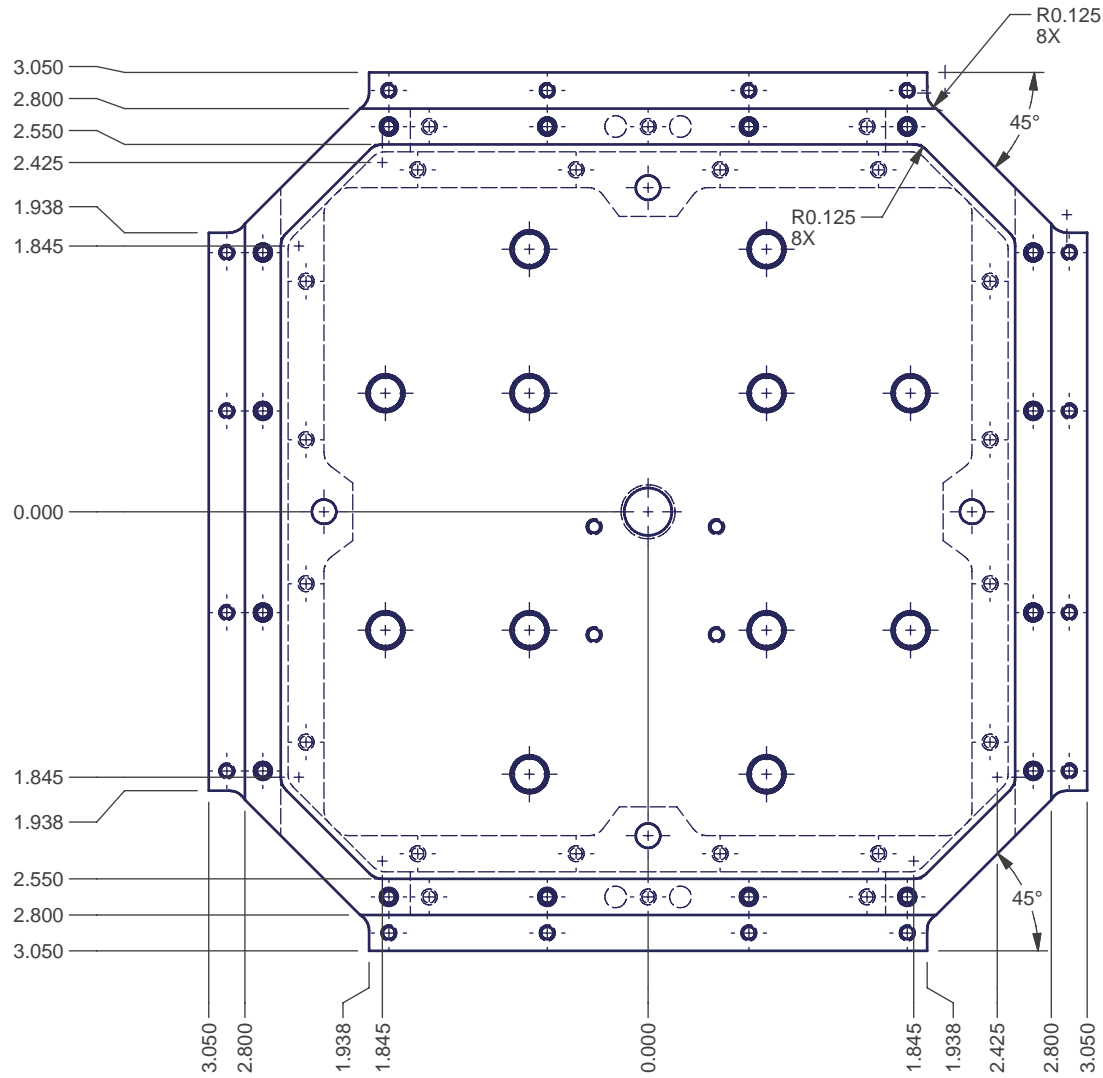


SECTION F-F
SCALE 3 / 4

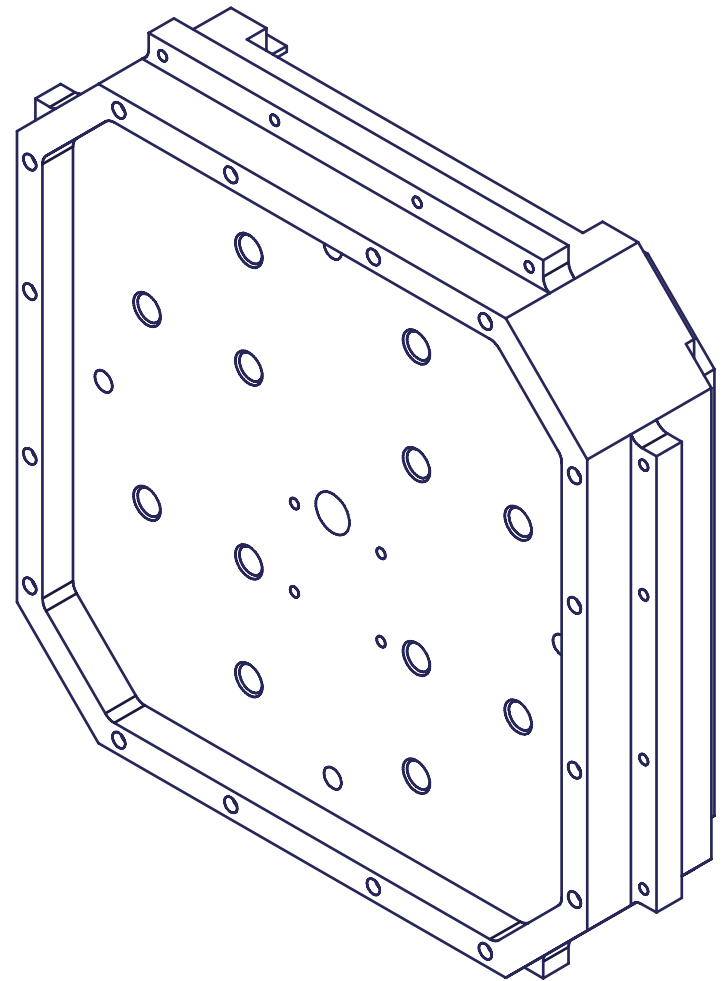


SECTION G-G
SCALE 3 / 4

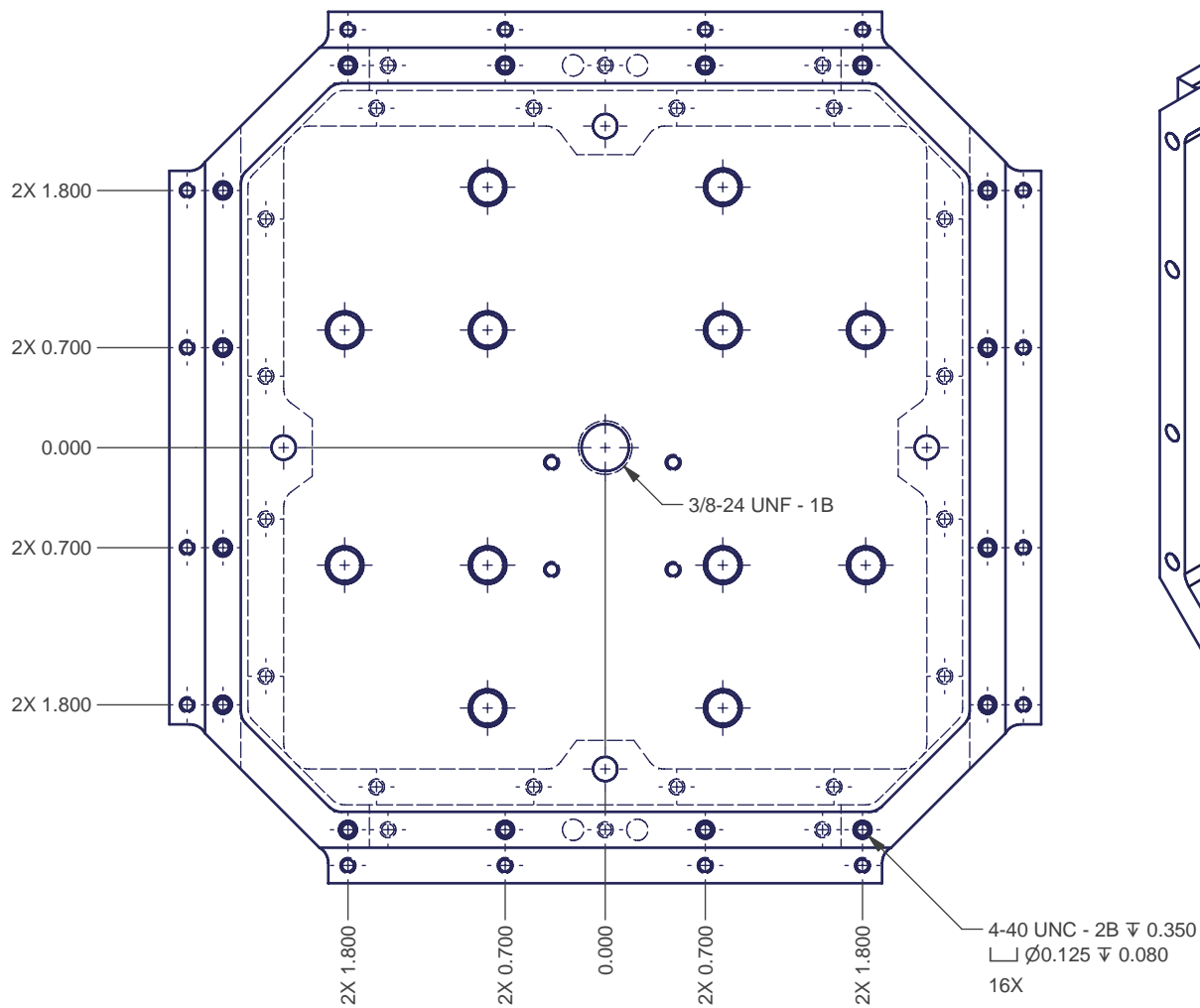
**** FourStar	DWG. NO.	REV. A
	FS-11-010	SHT4 OF 6



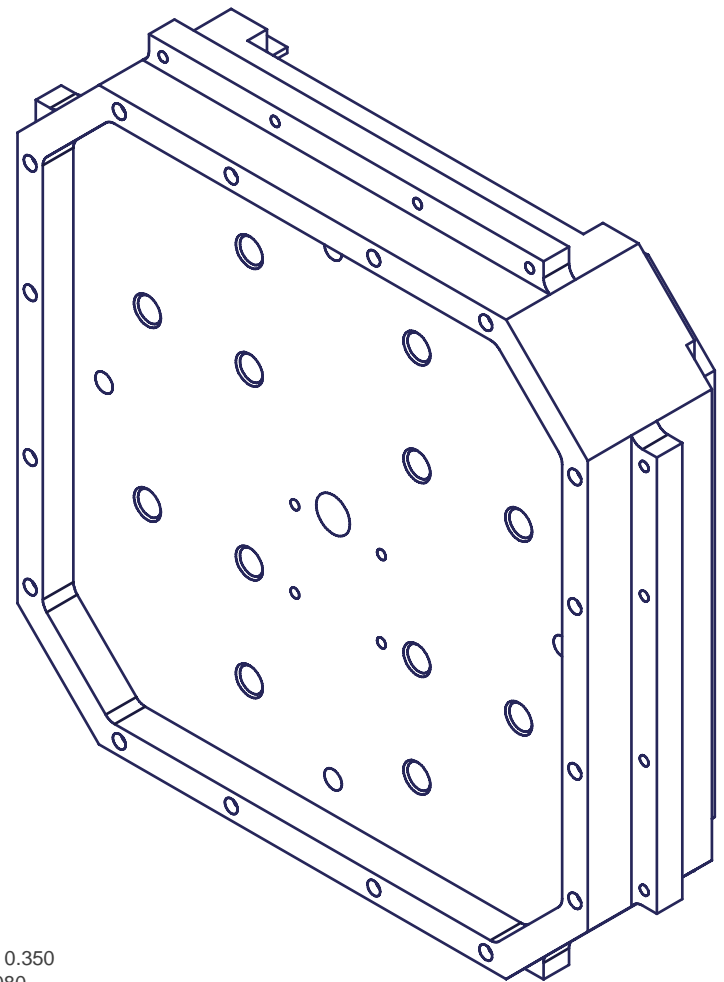
PART DIMS BOTTOM VIEW
SCALE 3 / 4



ISO BOTTOM VIEW
SCALE 3 / 4



HOLE DIMS BOTTOM VIEW
 SCALE 3 / 4



ISO BOTTOM VIEW
 SCALE 3 / 4