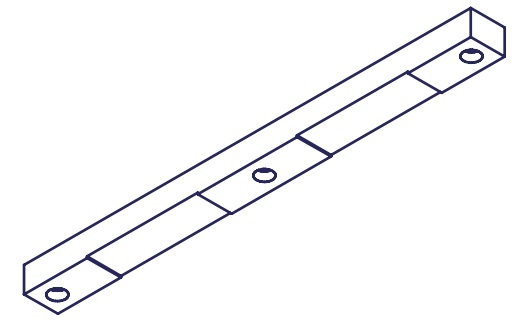


TOP VIEW



BOTTOM VIEW

- NOTES:**
- 1 MATERIAL: AL 6061
  - 2 FINISH: NONE
  - 3. QUANTITY REQ'D: 2

REV	CHANGES	DATE	BY	MATERIAL:	UNLESS OTHERWISE SPECIFIED: DIMENSIONS ARE IN INCHES BRAKE EDGES / REMOVE BURRS	**** FourStar	FS-01-001	DETECTOR	<b>THE OBSERVATORIES</b> CARNEGIE INSTITUTION OF WASHINGTON 813 SANTA BARBARA STREET PASADENA, CA. 91101-1232		DWG NO. <b>FS-11-029</b>	REV. <b>A</b>
1	First Issue	5/1/2004	ERK	FINISH:	TOLERANCES:		NEXT ASSY	USED ON				REV. <b>A</b>
2	Hole Pos.	5/8/2004	ERK	2	ANGLES: 0.5°	APPLICATION		SUPPORT, CABLE CLAMP OUTER OCTAGON		REV. <b>A</b>	SHT 1 OF 1	
3	New SSTL	5/23/2004	ERK	SCALE:	FRACTIONS: ± 1/16	Designer: Persson	4/29/2004					4/29/2004
4	Cable slot	9/5/2004	ERK	1:1	X.X± 0.1	Drawn: Koch	4/29/2004	Drawings Printed on:	9/5/2004	SUPPORT, CABLE CLAMP OUTER OCTAGON		REV. <b>A</b>
A	Production	6/13/2008	ERK		X.XX± 0.03					SUPPORT, CABLE CLAMP OUTER OCTAGON		REV. <b>A</b>
					X.XXX± 0.010					SUPPORT, CABLE CLAMP OUTER OCTAGON		REV. <b>A</b>

DO NOT SCALE DRAWING