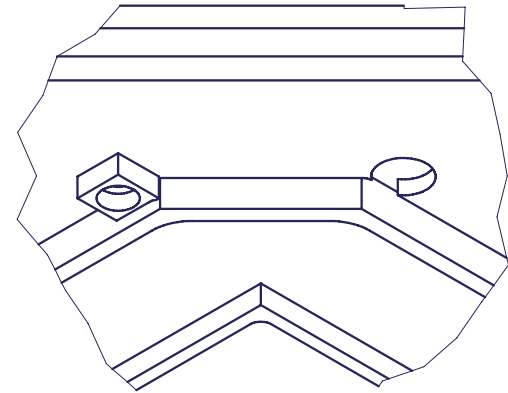
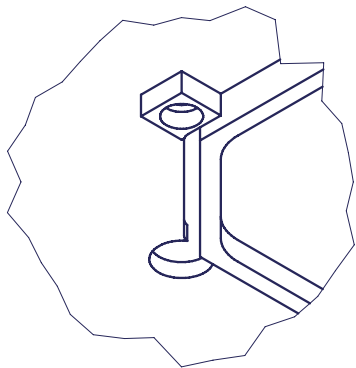


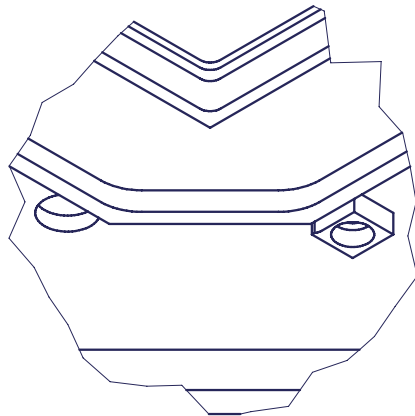
TOP VIEW
SCALE 0.60 : 1



DETAIL J
SCALE 1.20 : 1

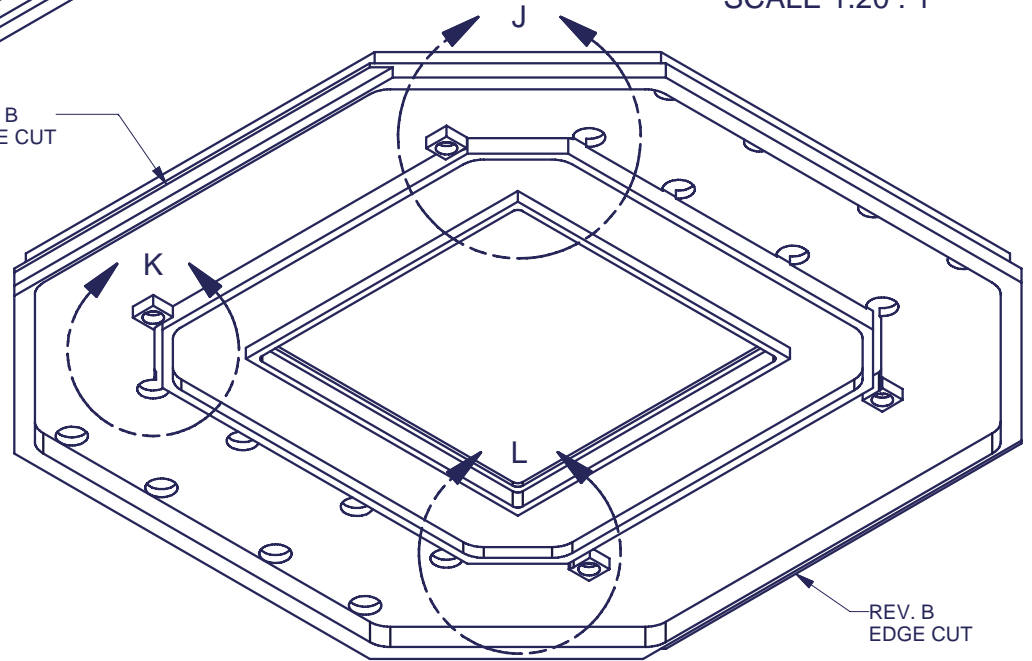


DETAIL K
SCALE 1.20 : 1



DETAIL L
SCALE 1.20 : 1

REV. B
EDGE CUT



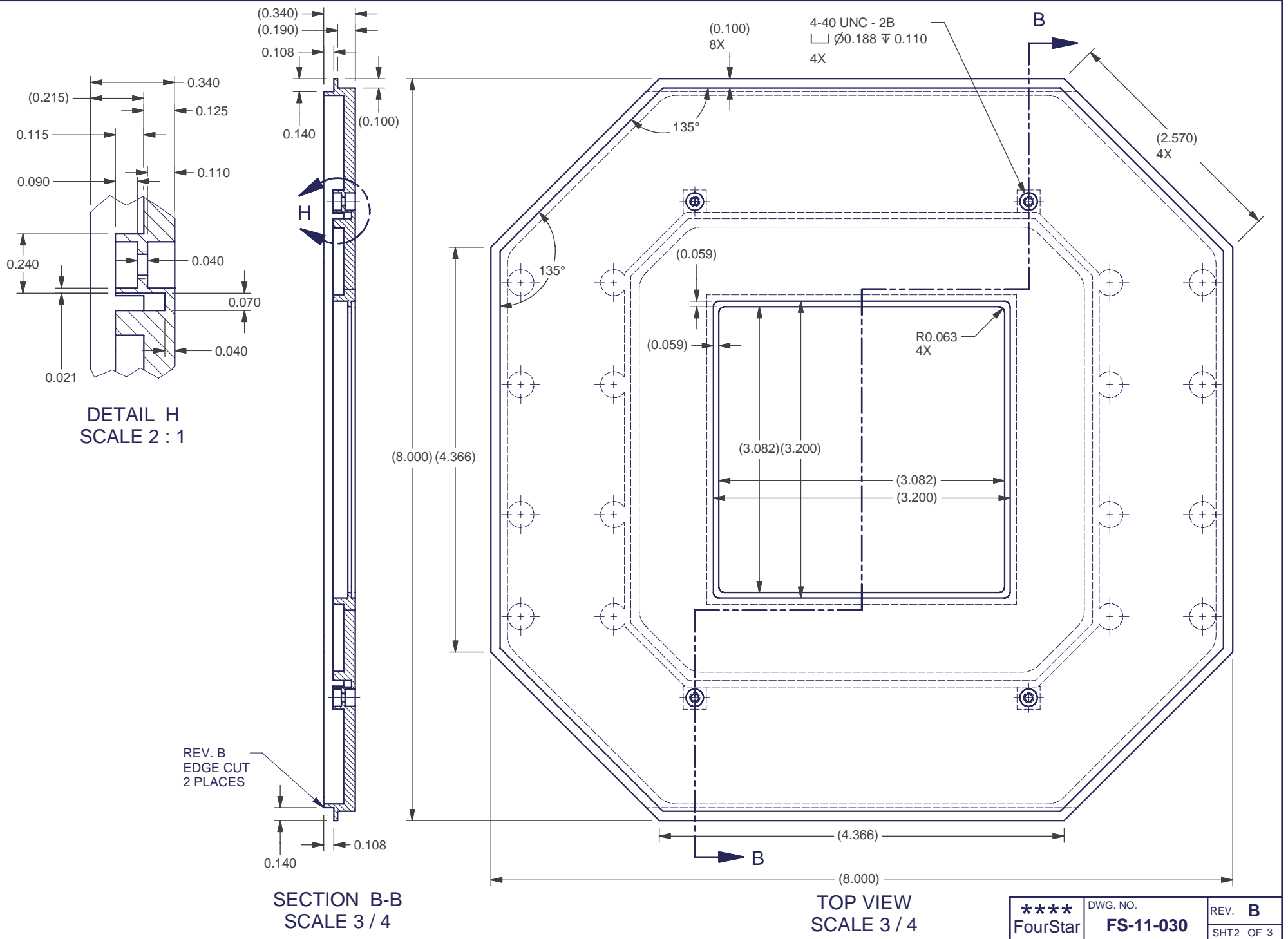
BOTTOM VIEW
SCALE 0.60 : 1

REV. B
EDGE CUT

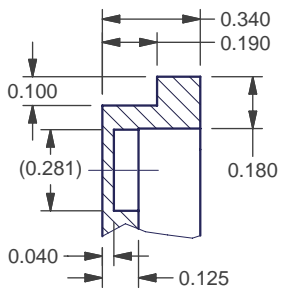
NOTES:

- 1. MATERIAL: AL 6061
- 2. FINISH: NONE

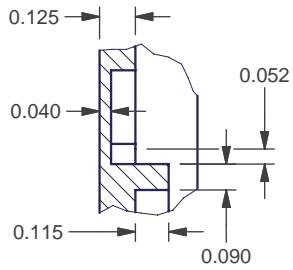
REV	CHANGES	DATE	BY	MATERIAL:	UNLESS OTHERWISE SPECIFIED: DIMENSIONS ARE IN INCHES BRAKE EDGES / REMOVE BURRS	**** FourStar	FS-00-001	DETECTOR ASSY	THE OBSERVATORIES CARNEGIE INSTITUTION OF WASHINGTON 813 SANTA BARBARA STREET PASADENA, CA. 91101-1232		DWG NO. FS-11-030	REV. B SHT 1 OF 3
1	First Issue	9/4/2004	ERK	1			TOLERANCES:	NEXT ASSY				
B	Edge cut	2/21/2008	ERK	2	X.X± 0.1 ANGLES:0.5° X.XX± 0.03 FRACTIONS:± 1/16 X.XXX± 0.010	Designer: Persson	9/5/2004	APPLICATION		COVER,DETECTOR LIGHT BAFFLE	SHT 1 OF 3	
				SCALE: As Noted	DO NOT SCALE DRAWING	Drawn: Koch	9/5/2004	Drawings Printed on:	2/21/2008			



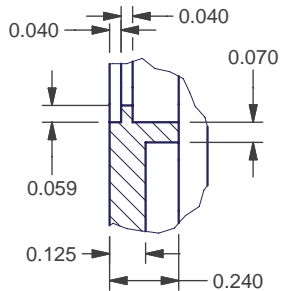
**** FourStar	DWG. NO.	REV. B
	FS-11-030	SHT2 OF 3



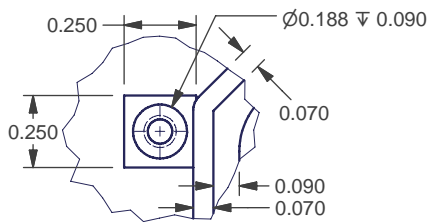
DETAIL D
SCALE 1.50 : 1



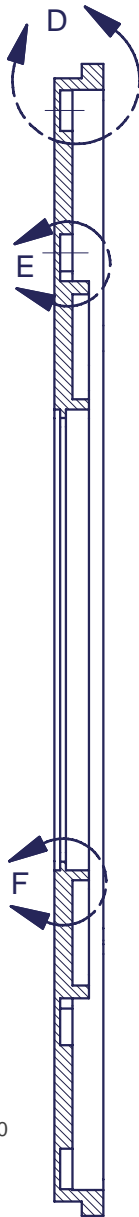
DETAIL E
SCALE 1.50 : 1



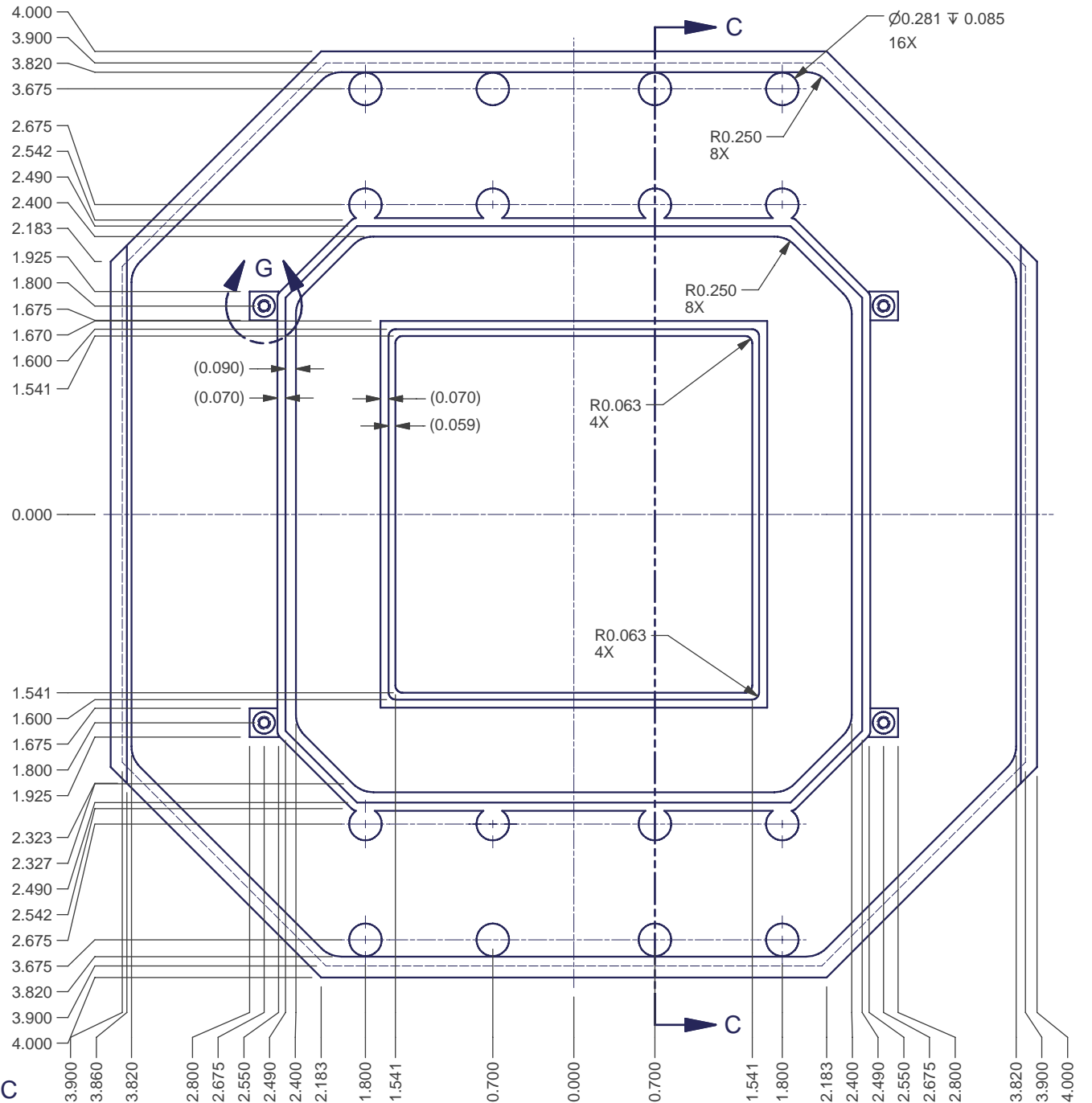
DETAIL F
SCALE 1.50 : 1



DETAIL G
SCALE 1.50 : 1
4X



SECTION C-C
SCALE 3 / 4



BOTTOM VIEW
SCALE 3 / 4

**** FourStar	DWG. NO.	REV. B
	FS-11-030	SHT3 OF 3