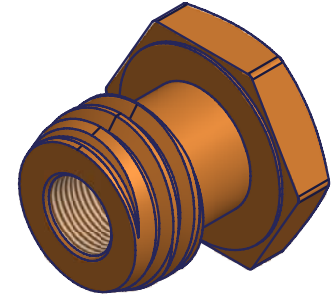
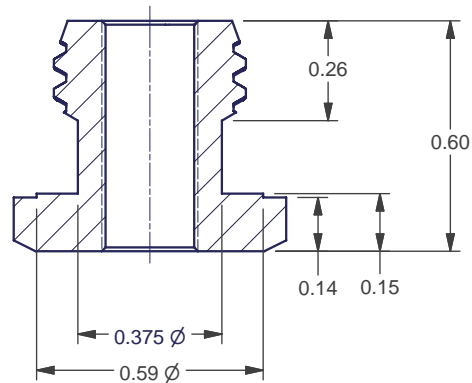


SCALE 2 : 1



SCALE 2 : 1



SECTION A-A
SCALE 2 : 1

NOTES:

- 1 MATERIAL: AL-BRONZE
- 2 FINISH: NONE
- 3 QTY REQ'D: 3

REV	CHANGES	DATE	BY	MATERIAL:	UNLESS OTHERWISE SPECIFIED: DIMENSIONS ARE IN INCHES BRAKE EDGES / REMOVE BURRS	**** FourStar	FS-01-006	DETECTOR	THE OBSERVATORIES CARNegie INSTITUTION OF WASHINGTON 813 SANTA BARBARA STREET PASADENA, CA. 91101-1232		DWG NO. FS-11-036	REV. A
NR	Check Print	6/30/2008	ERK	1			TOLERANCES:	NEXT ASSY				USED ON
A	As Built	10/11/2008	EP	2	X.X± 0.03 ANGLES:0.5°	Designer: Persson	7/1/2008	APPLICATION	1/2-13 TO 1/4-80 ADAPTER, BASE OCTAGON		SHT 1 OF 1	
				3	X.XX± 0.01 FRACTIONS:± 1/16	Drawn: Koch	7/1/2008	Drawings Printed on:				
				SCALE: As Noted	X.XXX± 0.003	DO NOT SCALE DRAWING						