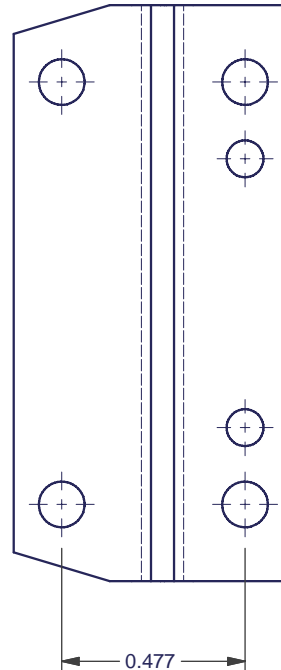
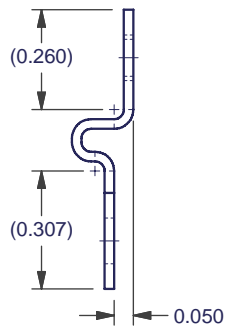
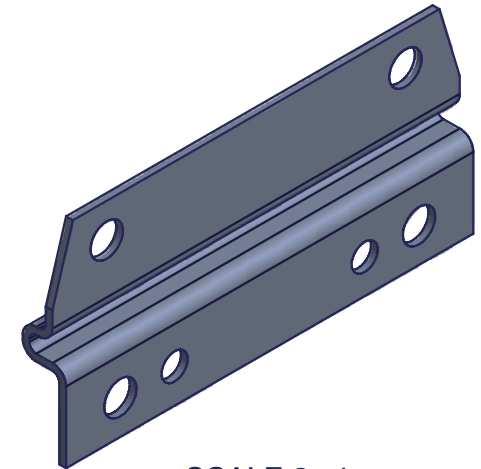


FLAT PATTERN
SCALE 2 : 1



FOLDED PART
SCALE 2 : 1



SCALE 2 : 1

NOTES:

- 1 MATERIAL: INDIUM
- 2 FINISH: NONE
- 3 QTY REQ'D: 4

REV	CHANGES	DATE	BY	MATERIAL:	UNLESS OTHERWISE SPECIFIED: DIMENSIONS ARE IN INCHES BRAKE EDGES / REMOVE BURRS	**** FourStar	FS-01-002	DETECTOR	THE OBSERVATORIES CARNEGIE INSTITUTION OF WASHINGTON 813 SANTA BARBARA STREET PASADENA, CA. 91101-1232		DWG NO.	REV. A
A	Production	6/17/2008	ERK	FINISH:			TOLERANCES:	NEXT ASSY			USED ON	APPLICATION
				SCALE:	X.X± 0.03 ANGLES:0.5°	Designer: Perssom	5/12/2004					
				As Noted	X.XX± 0.01 FRACTIONS:± 1/16	Drawn: Koch	6/17/2008	Drawings Printed on:				
					X.XXX± 0.003							
					DO NOT SCALE DRAWING							