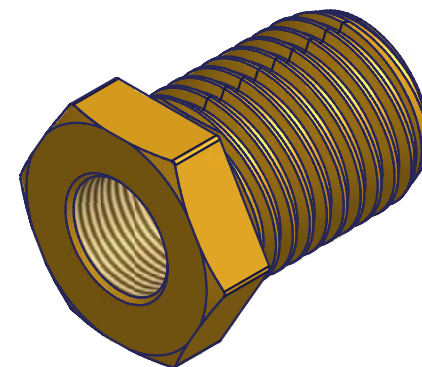
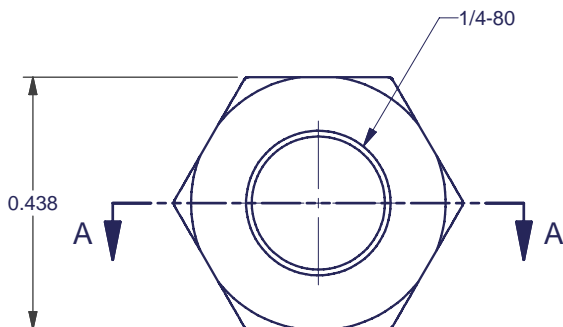


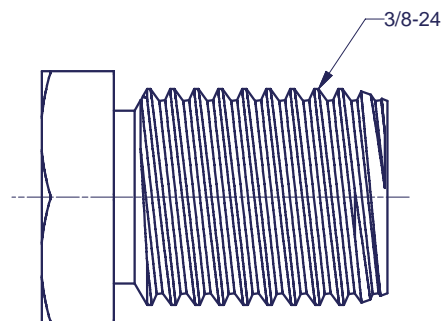
SECTION A-A  
SCALE 3 : 1



SCALE 3 : 1



SCALE 3 : 1



NOTES:

- 1 MATERIAL: AL-BRONZE
- 2 FINISH: NONE
- 3 QTY REQ'D: 12

REV	CHANGES	DATE	BY	MATERIAL:	UNLESS OTHERWISE SPECIFIED: DIMENSIONS ARE IN INCHES BRAKE EDGES / REMOVE BURRS	**** FourStar	FS-01-004	DETECTOR	<b>THE OBSERVATORIES</b> CARNEGIE INSTITUTION OF WASHINGTON 813 SANTA BARBARA STREET PASADENA, CA. 91101-1232	
NR	Check Print	6/17/2008	ERK	1			TOLERANCES:	NEXT ASSY		
A	As built	10/11/2008	ERK	2	X.X± 0.03 ANGLES:0.5°	Designer: Persson	6/16/2008		APPLICATION	DWG NO.
				SCALE:	X.XX± 0.01 FRACTIONS:± 1/16	Drawn: Koch	6/17/2008	Drawings Printed on:		3/8-24 TO 1/4-80 CENTER BASE OCTAGON
				As Noted	X.XXX± 0.003					REV. <b>A</b>
					<b>DO NOT SCALE DRAWING</b>					SHT 1 OF 1