

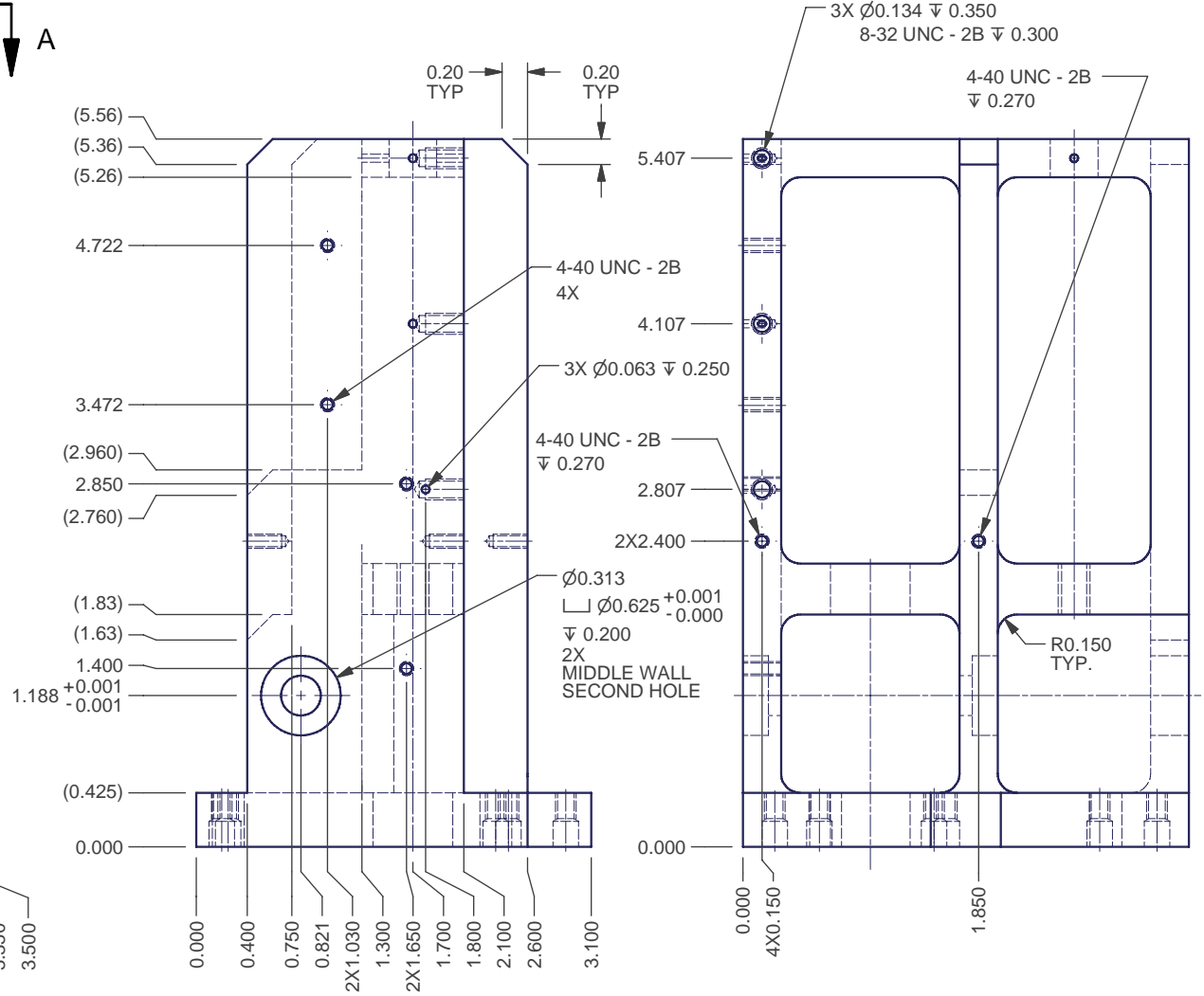
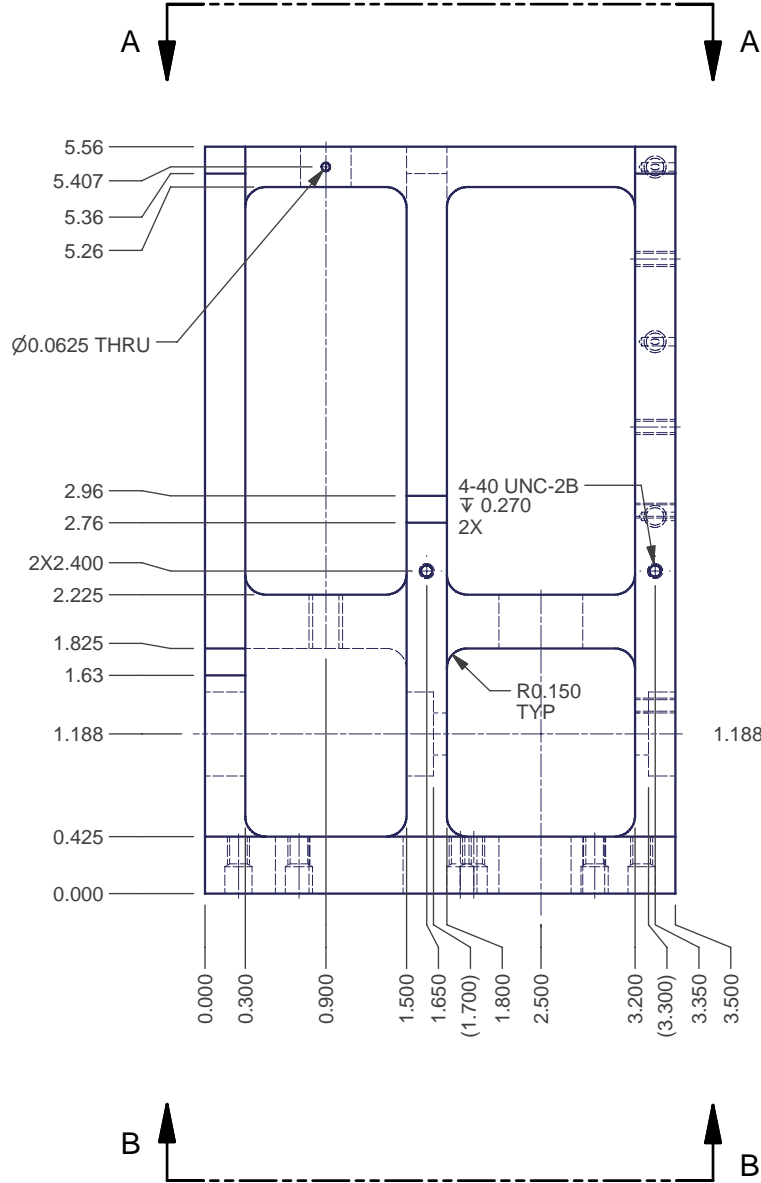
NOTES:

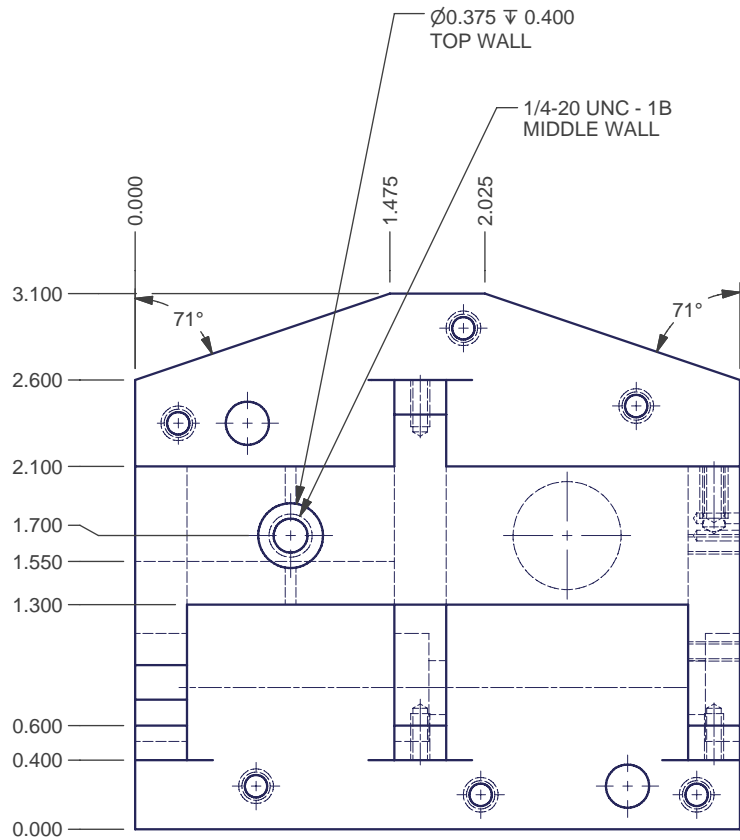
1 MATERIAL: AL. 6061-T6

2 FINISH: NONE

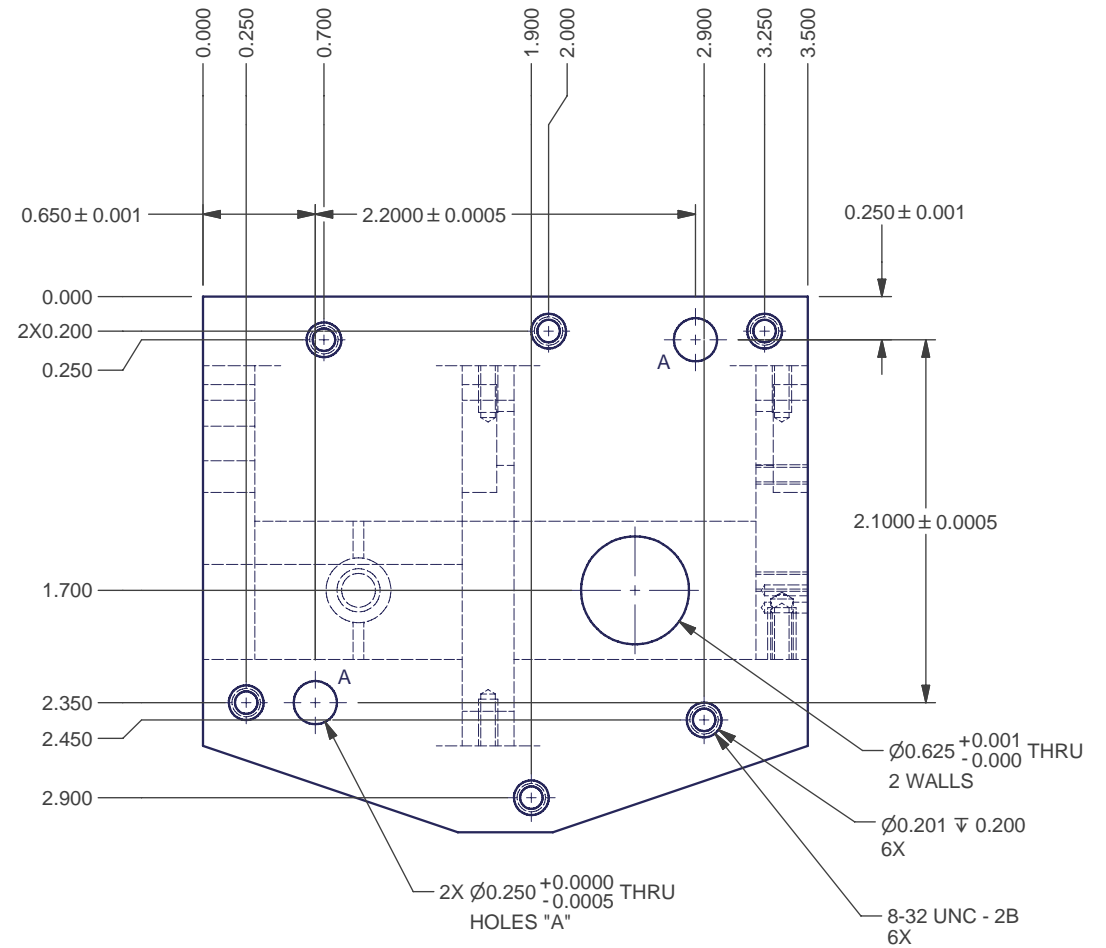
REV	CHANGES	DATE	BY	MATERIAL:	UNLESS OTHERWISE SPECIFIED: DIMENSIONS ARE IN INCHES BRAKE EDGES / REMOVE BURRS	**** FourStar	FS-02-001	DETENT TOWER	<b>THE OBSERVATORIES</b> CARNEGIE INSTITUTION OF WASHINGTON 813 SANTA BARBARA STREET PASADENA, CA. 91101-1232	
D	As built	5/29/2008	ERK	1			TOLERANCES:	NEXT ASSY		
NR1	Test Fixture	10/27/2006	ERK	FINISH:	ANGLES:0.5°	APPLICATION		DWG NO.		
A	Production	12/4/2006	ERK	2	X.X±0.1	Designer: Persson	7/9/2005		DETENT LEVERS TOWER	REV. <b>D</b>
B	Bearings	12/11/2006	ERK	SCALE:	X.XX±0.01	Drawn: Koch	7/9/2005	Drawings Printed on:	5/29/2008	<b>FS-12-001</b>
C	TopBridge	2/4/2007	ERK	1:2	X.XXX±0.003					SHT 1 OF 3

DO NOT SCALE DRAWING





VIEW A-A  
SCALE 0.90 : 1



VIEW B-B  
SCALE 0.90 : 1