

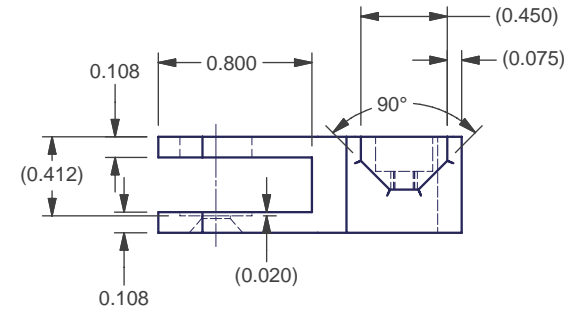
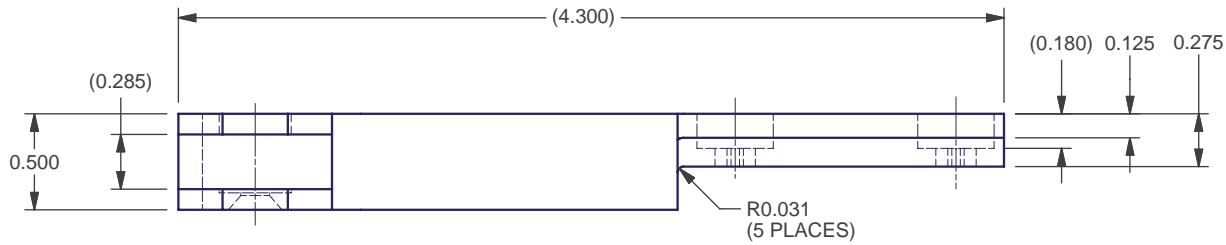
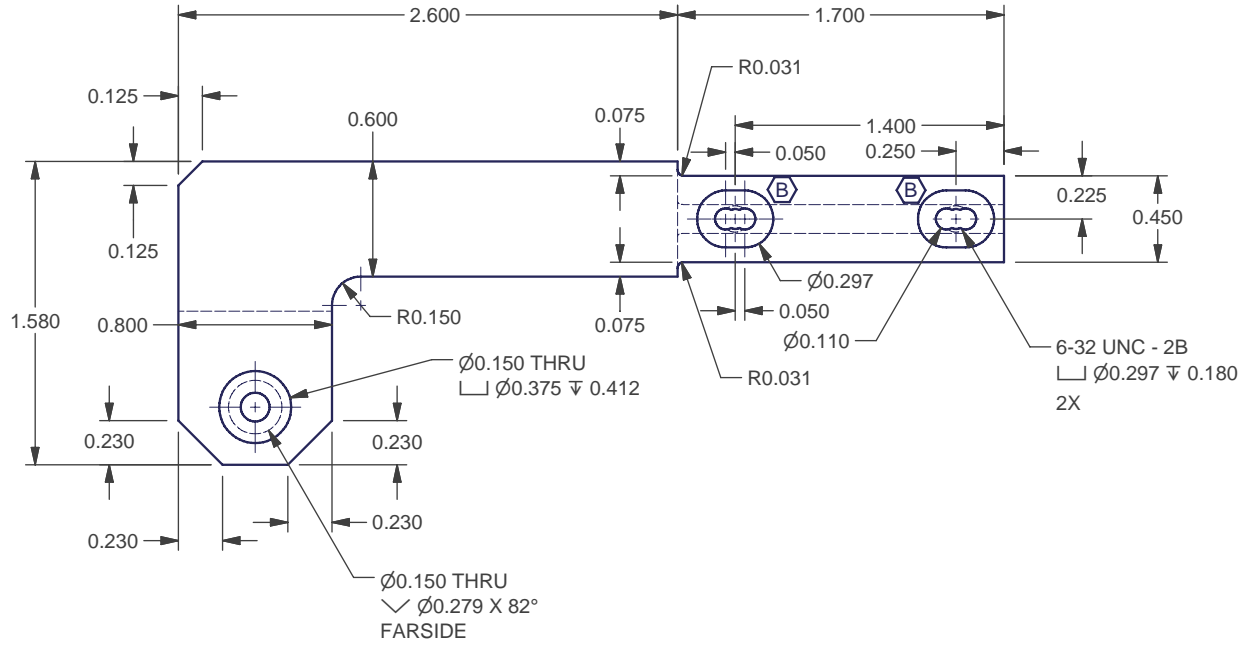
SCALE 2.25 : 1

NOTES:

- 1 MATERIAL: AL. 6061-T6
- 2 FINISH: NONE
- 3 QTY REQ'D: 2

| | | | | | | | | | | | |
|-----|-------------|------------|-----|--------------------|---|------------------|-----------------|--------------|---|-----------|-----------------------------|
| REV | CHANGES | DATE | BY | MATERIAL: | UNLESS OTHERWISE SPECIFIED: DIMENSIONS ARE IN INCHES BRAKE EDGES / REMOVE BURRS | **** FourStar | FS-02-002 | DETENT TOWER | THE OBSERVATORIES CARNEGIE INSTITUTION OF WASHINGTON 813 SANTA BARBARA STREET PASADENA, CA. 91101-1232 | | |
| NR | Check Print | 7/24/2006 | ERK | 1 | | | TOLERANCES: | NEXT ASSY | | | |
| NR1 | Gen. Update | 2/10/2006 | ERK | FINISH: | X.X± 0.1 | ANGLES:0.5° | APPLICATION | | DETENT LEVER,WHEEL,FILTER WHEEL DWG NO. FS-12-010 | | |
| A | Production | 12/11/2006 | ERK | 2 | X.XX± 0.01 | FRACTIONS:± 1/16 | Designer: Erich | 7/19/2006 | | | |
| B | Slots made | 3/15/2007 | ERK | SCALE: As Noted | X.XXX± 0.003 | | Drawn: Koch | 7/19/2006 | Drawings Printed on: | 3/15/2007 | REV. B SHT 1 OF 3 |

DO NOT SCALE DRAWING



VIEW1
SCALE 1 : 1