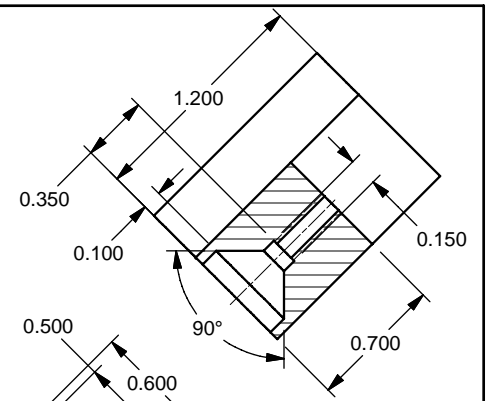
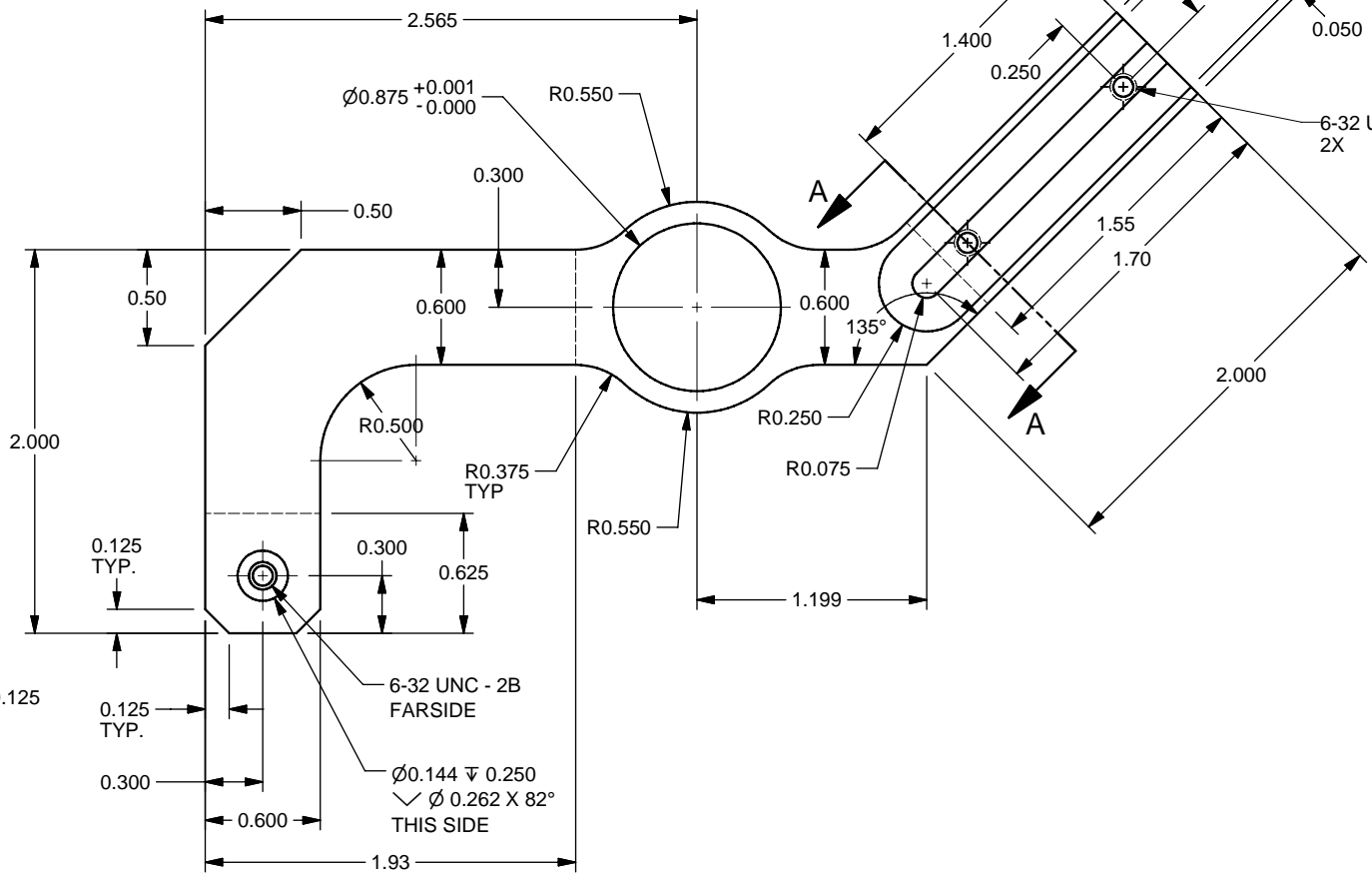
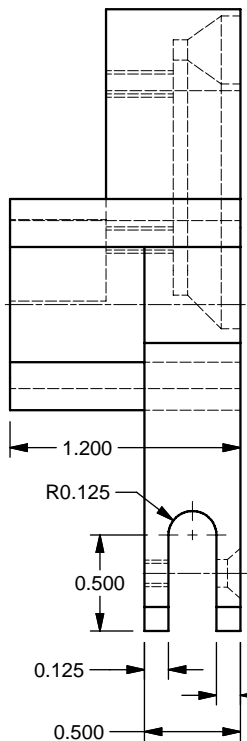


SCALE 1.50 : 1

NOTES:

- 1 MATERIAL: AL 6061-T6
- 2 FINISH: NONE
- 3 QTY REQ'D: 1

REV	CHANGES	DATE	BY	MATERIAL:	UNLESS OTHERWISE SPECIFIED: DIMENSIONS ARE IN INCHES BRAKE EDGES / REMOVE BURRS	**** FourStar	FS-02-003	DETENT TOWER	<b>THE OBSERVATORIES</b> CARNEGIE INSTITUTION OF WASHINGTON 813 SANTA BARBARA STREET PASADENA, CA. 91101-1232			
NR	CheckPrint	07/23/06	ERK	1			TOLERANCES:	NEXT ASSY			USED ON	
NR1	Gen Update	11/02/06	ERK	FINISH:	X.X± 0.1	ANGLES:0.5°	APPLICATION		DWG NO.			
A	Production	12/11/06	ERK	2	X.XX± 0.01	FRACTIONS:± 1/16	Designer: Persson	03/09/05		DETENT LEVER, TOWER, FIELD FLATTENER WHEEL	REV. <b>A</b>	
				SCALE: As Noted	X.XXX± 0.003	<b>DO NOT SCALE DRAWING</b>	Drawn: Koch	03/09/05	Drawings Printed on: 12/11/06		<b>FS-12-011</b>	SHT 1 OF 2



SECTION A-A  
SCALE 1 : 1

SCALE 1 : 1

**** FourStar	DWG. NO.	REV. <b>A</b>
	<b>FS-12-011</b>	SHT2 OF 2