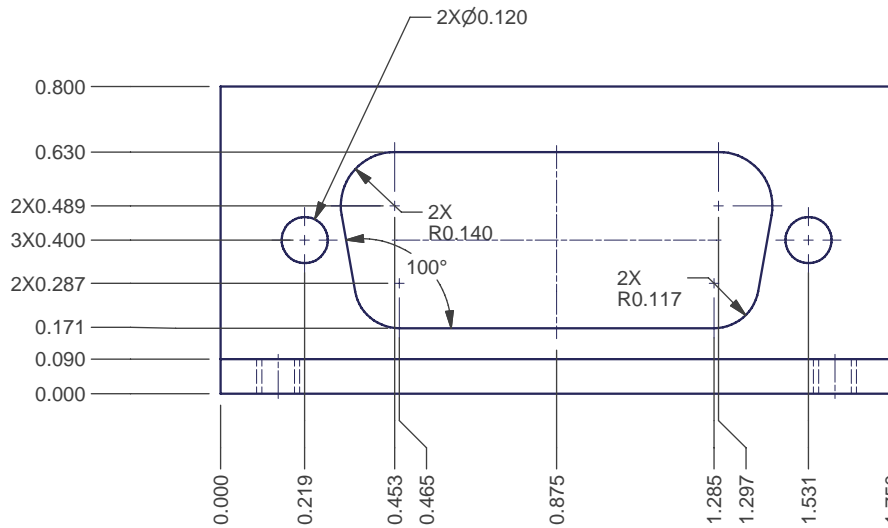
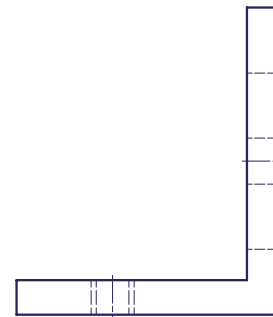


SCALE 2 : 1



SCALE 2 : 1



NOTES:

- 1 MATERIAL: AL 6061-T6
- 2 FINISH: NONE
- 3 QTY REQ'D: 1

REV	CHANGES	DATE	BY	MATERIAL:	UNLESS OTHERWISE SPECIFIED: DIMENSIONS ARE IN INCHES BRAKE EDGES / REMOVE BURRS	**** FourStar	FS-02-006	DETENT TOWER	<h1>THE OBSERVATORIES</h1> <p>CARNEGIE INSTITUTION OF WASHINGTON 813 SANTA BARBARA STREET PASADENA, CA. 91101-1232</p>	
A	Production	01/04/07	ERK	FINISH:			TOLERANCES:	NEXT ASSY		
				SCALE:	X.X±0.1 ANGLS:0.5°	Designer: Persson	01/04/07			SUPPORT,DB15 CONNECTOR
				As Noted	X.XX±0.01 FRACTIONS:± 1/16	Drawn: Koch	01/04/07	Drawings Printed on:	01/04/07	
					DO NOT SCALE DRAWING					SHT 1 OF 2