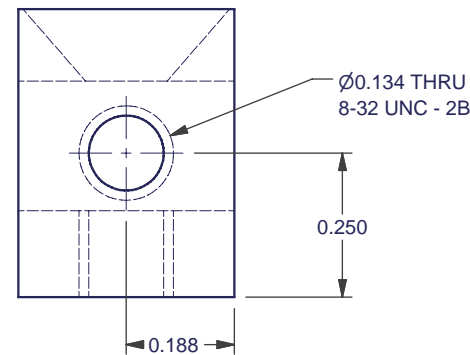
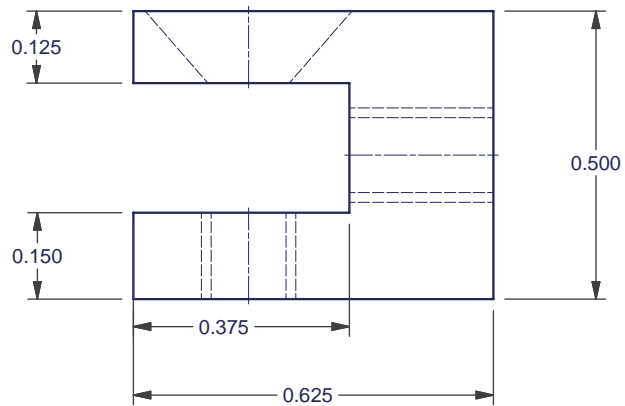


SCALE 3 : 1



SCALE 3 : 1

NOTES:

- 1 MATERIAL: AL. 6061-T6
- 2 FINISH: NONE
- 3 QTY. REQ'D: 3

REV	CHANGES	DATE	BY	MATERIAL:	UNLESS OTHERWISE SPECIFIED: DIMENSIONS ARE IN INCHES BRAKE EDGES / REMOVE BURRS	**** FourStar	FS-02-001	DETENT TOWER	<h1>THE OBSERVATORIES</h1> <p>CARNEGIE INSTITUTION OF WASHINGTON 813 SANTA BARBARA STREET PASADENA, CA. 91101-1232</p>	
A	Production	5/25/2008	ERK	FINISH:			DESIGNER: Persson	5/22/2008		
				SCALE:	TOLERANCES: X.X± 0.03 ANGLES:0.5° X.XX± 0.01 FRACTIONS:± 1/16 X.XXX± 0.003		NEXT ASSY	USED ON	REV. <b>A</b>	
				As Noted	<b>DO NOT SCALE DRAWING</b>	Drawn: Koch	5/25/2008	APPLICATION	DETENT TOWER CLEVIS	SHT 1 OF 1
							Drawings Printed on:	5/25/2008	<b>FS-12-027</b>	