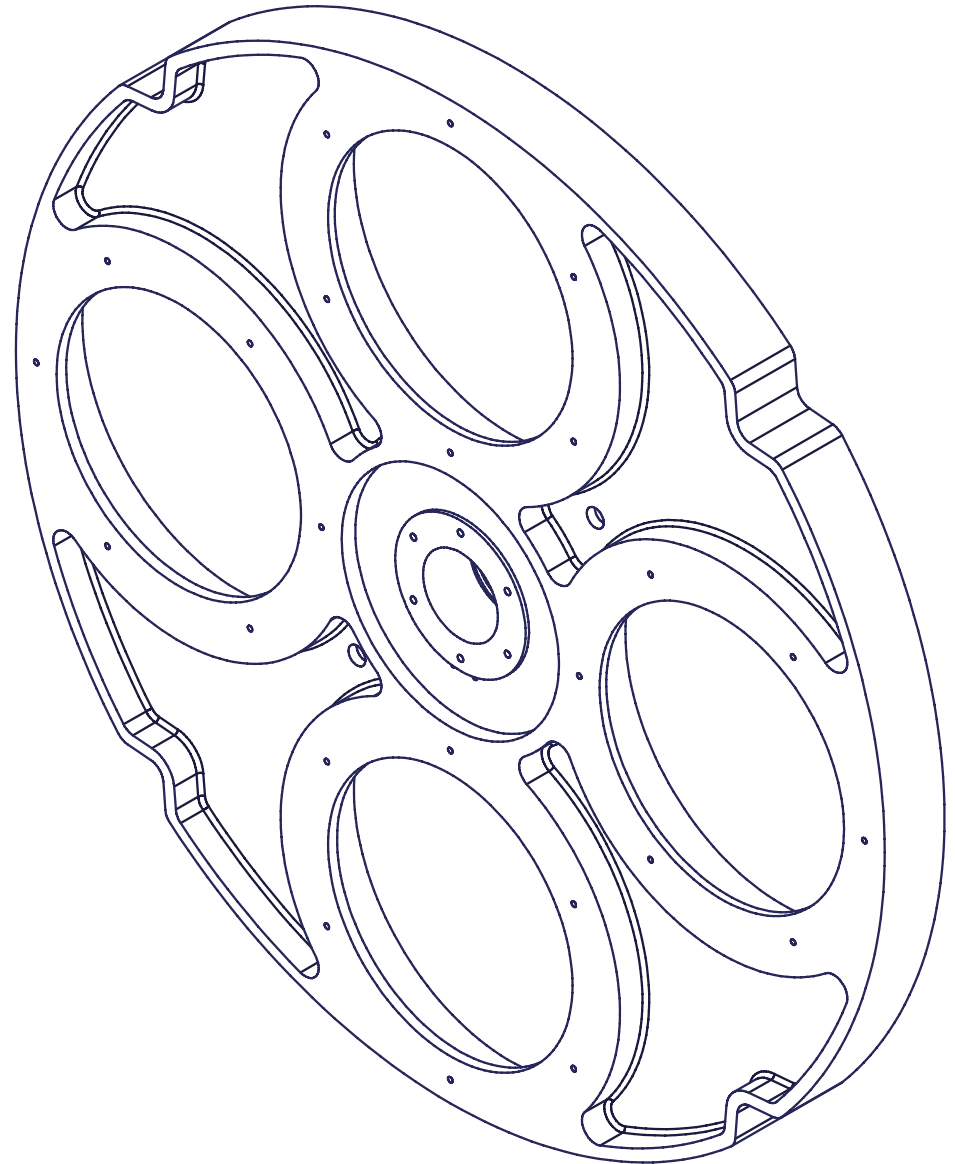


FRONT VIEW
SCALE 0.40 : 1

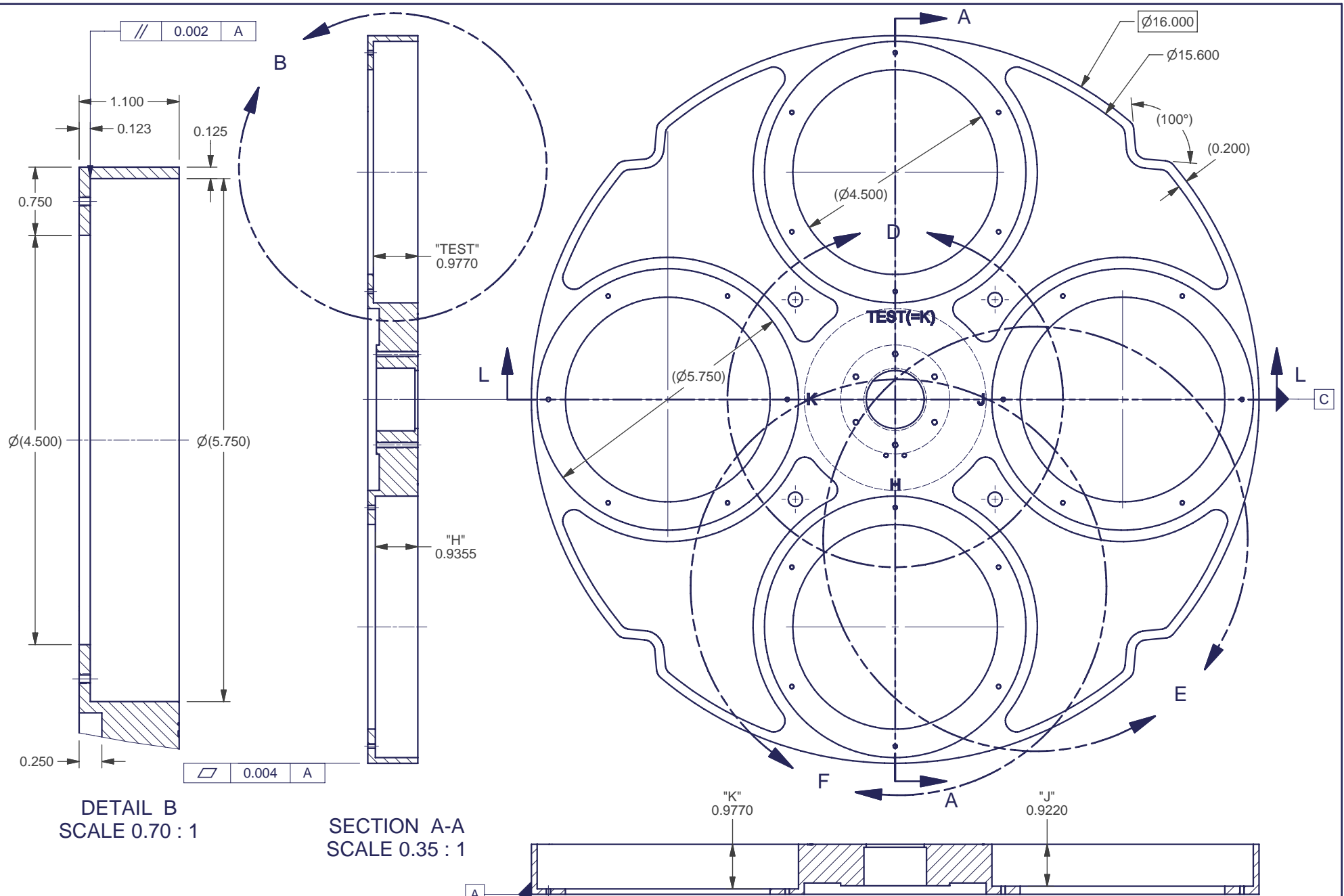


BACK VIEW
SCALE 0.40 : 1

NOTES:

- 1. MATERIAL: K100-S
- 2. FINISH: NONE

REV	CHANGES	DATE	BY	MATERIAL:	UNLESS OTHERWISE SPECIFIED: DIMENSIONS ARE IN INCHES BRAKE EDGES / REMOVE BURRS	**** FourStar	FS-03-001	FFW	THE OBSERVATORIES CARNEGIE INSTITUTION OF WASHINGTON 813 SANTA BARBARA STREET PASADENA, CA. 91101-1232		DWG NO.	REV. B
NR1	Cell Depth	9/17/2006	EP	1			TOLERANCES:	NEXT ASSY				
NR2	Cell depths	6/4/2007	JHU	FINISH:	X.X±0.1	ANGLES:0.5°			FIELD FLATTENER WHEEL FS-13-006	SHT 1 OF 5		
NR3	Tolerances	8/21/2007	JHU	2	X.XX±0.01	FRACTIONS:± 1/16	Designer: Persson	7/19/2006				
A	Production	8/21/2007	ERK	SCALE:	X.XXX±0.003		Drawn: Koch	7/19/2006	Drawings Printed on:	8/21/2007		
B	2 holes Pg5	2/14/2008	ERK	As Noted		DO NOT SCALE DRAWING						



DETAIL B
SCALE 0.70 : 1

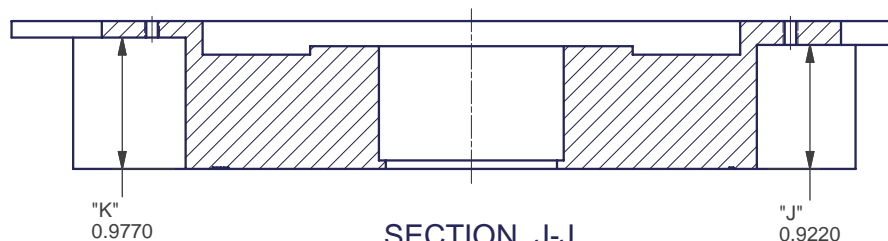
SECTION A-A
SCALE 0.35 : 1

SECTION L-L
SCALE 0.35 : 1

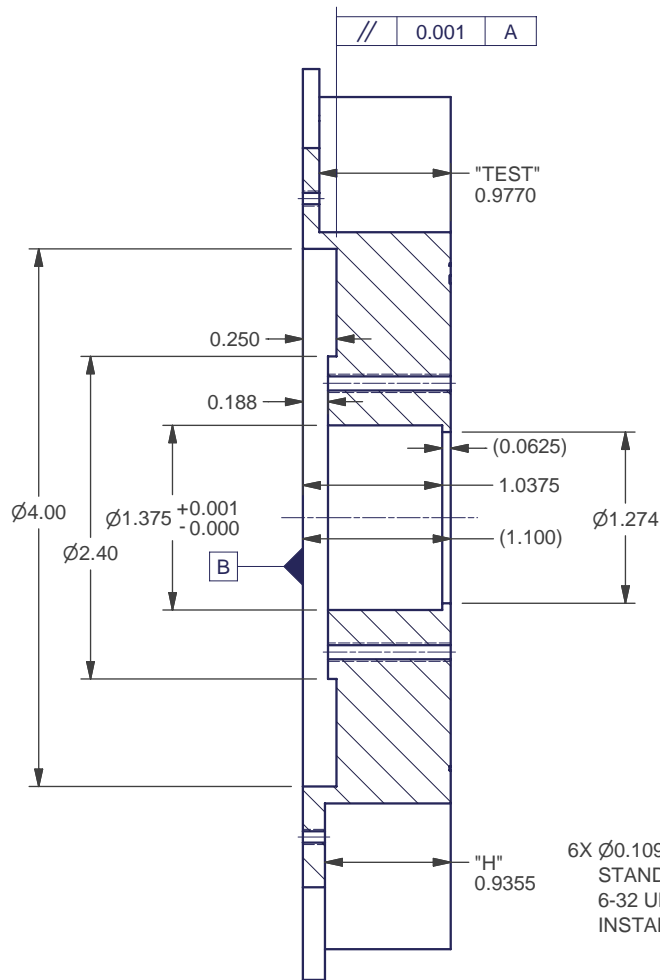
NOTICE THE LABELS:
"J", "H", "K" AND "TEST"
CORRESPONDS TO
SPECIFIC WELLS DEPTH

**** FourStar	DWG. NO.	REV. B
	FS-13-006	SHT2 OF 5

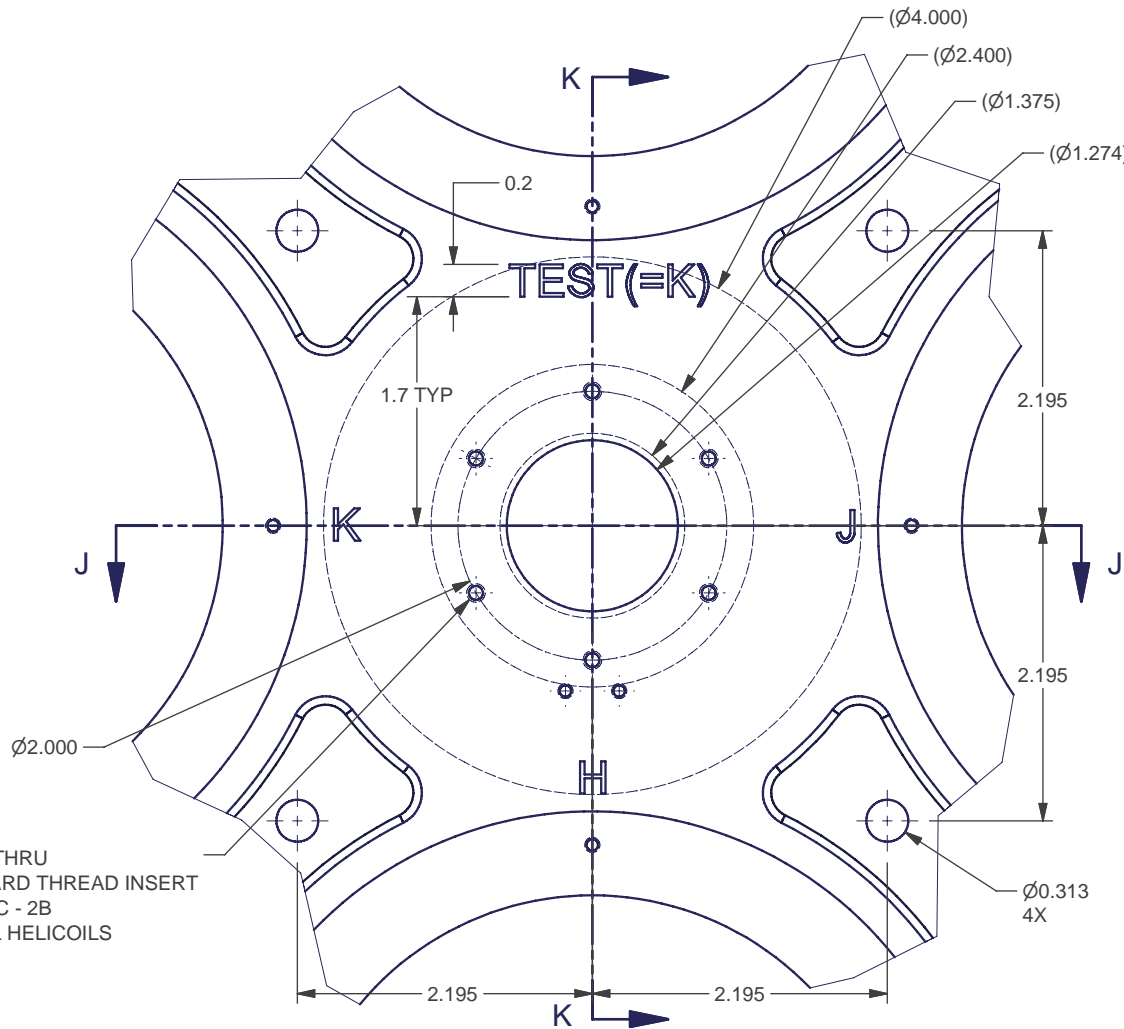
NOTICE THE LABELS:
 "J", "H", "K" AND "TEST"
 CORRESPONDS TO
 SPECIFIC WELLS DEPTH



SECTION J-J
 SCALE 0.70 : 1

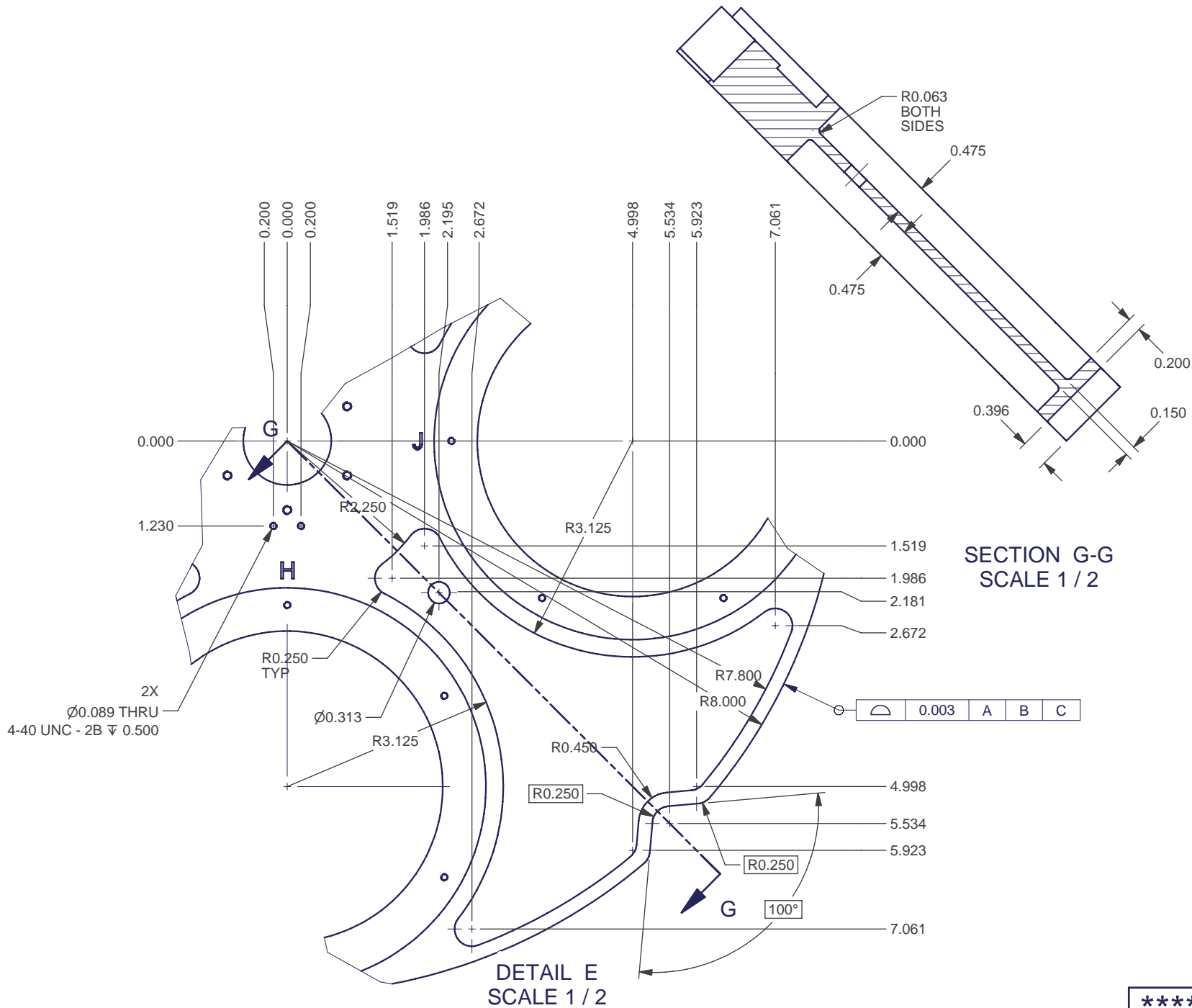


SECTION K-K
 SCALE 0.70 : 1

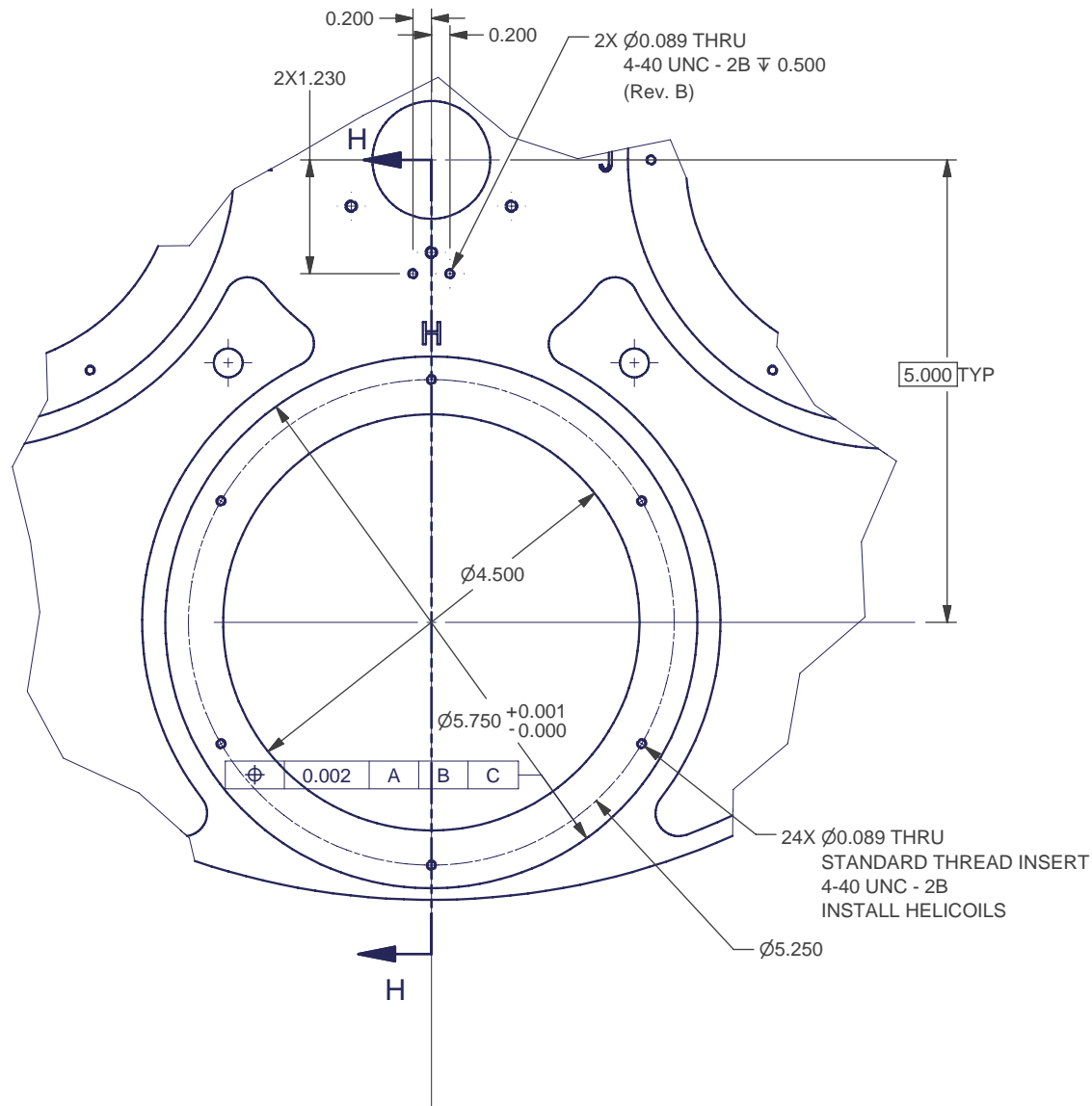


DETAIL D
 SCALE 0.70 : 1

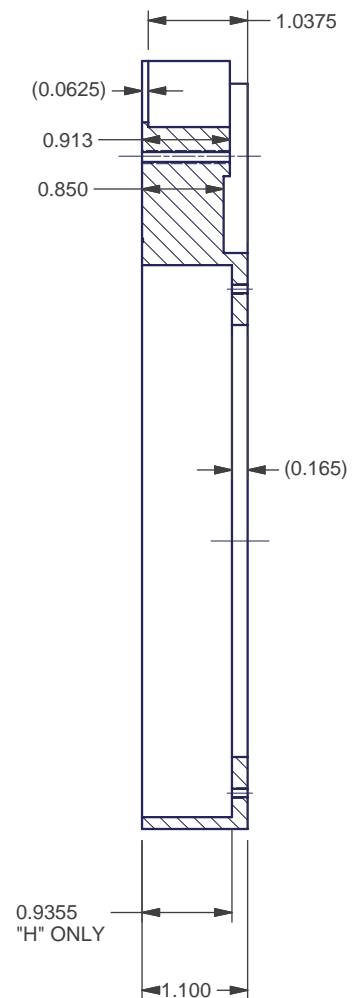
**** FourStar	DWG. NO.	REV. B
	FS-13-006	SHT3 OF 5



**** FourStar	DWG. NO.	REV. B
	FS-13-006	SHT4 OF 5



DETAIL F
SCALE 1 / 2



SECTION H-H
SCALE 1 / 2