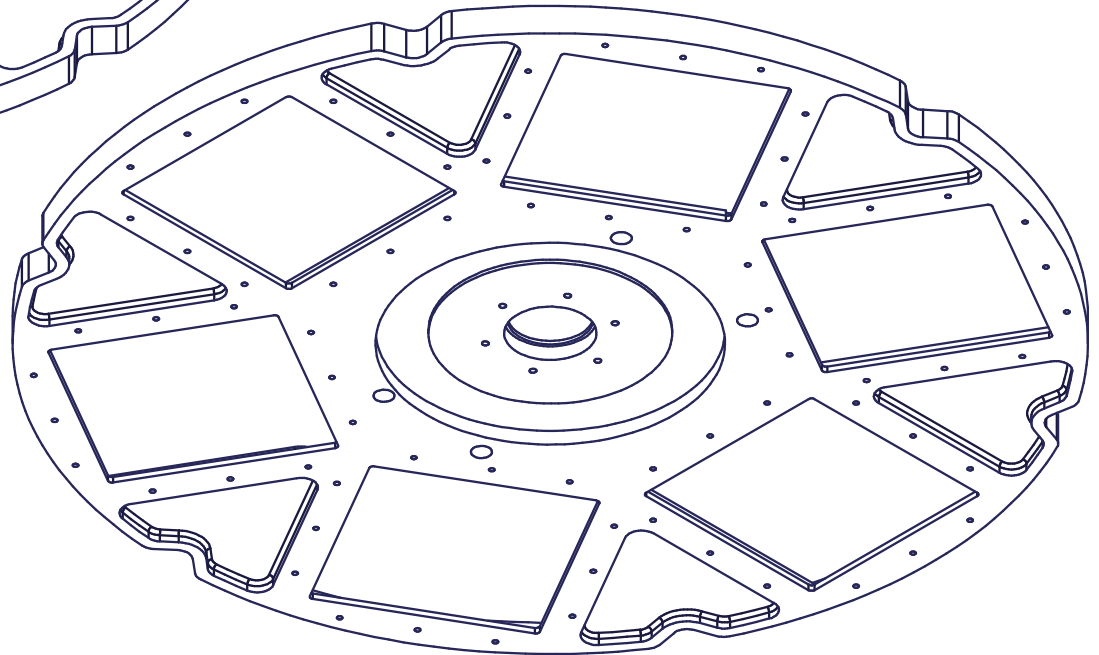


TOP VIEW

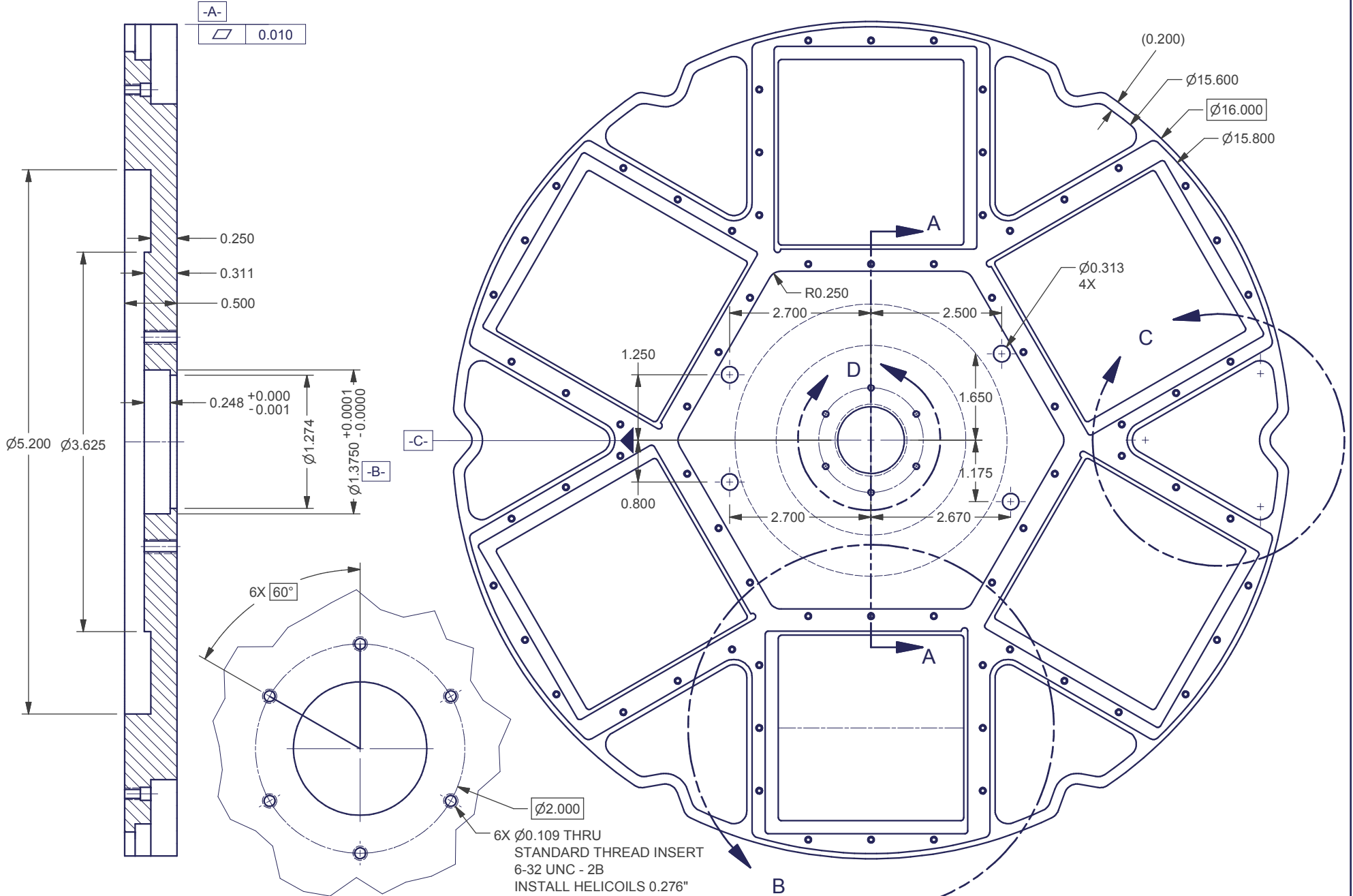


BOTTOM VIEW

NOTES:

- 1 MATERIAL: K100-S
- 2 FINISH: NONE

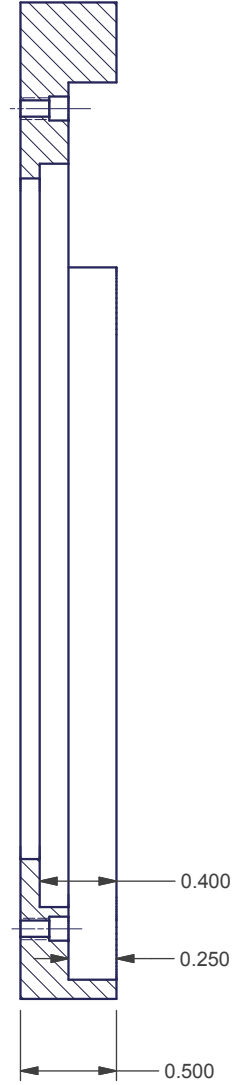
REV	CHANGES	DATE	BY	MATERIAL:	UNLESS OTHERWISE SPECIFIED: DIMENSIONS ARE IN INCHES BRAKE EDGES / REMOVE BURRS	**** FourStar	FS-04-003	FILTER WL ASSY	<h1>THE OBSERVATORIES</h1> <p>CARNEGIE INSTITUTION OF WASHINGTON 813 SANTA BARBARA STREET PASADENA, CA. 91101-1232</p>	
NR	Check Print	7/22/2006	ERK	1			TOLERANCES:	NEXT ASSY		
NR2	CheckPrint	9/18/2006	ERK	FINISH:	X.X± 0.1	ANGLES:0.5°	APPLICATION		DWG NO.	
NR3	For JHU	7/14/2007	ERK	2	X.XX± 0.01	FRACTIONS:± 1/16	Designer: Persson 4/1/2005 Drawn: Koch 4/1/2005			<b>FS-14-010</b> REV. <b>A</b> SHT 1 OF 4
A	Production	8/23/2007	ERK	SCALE: As Noted	<b>DO NOT SCALE DRAWING</b>		Drawings Printed on: 8/23/2007 BOTTOM FILTER WHEEL			



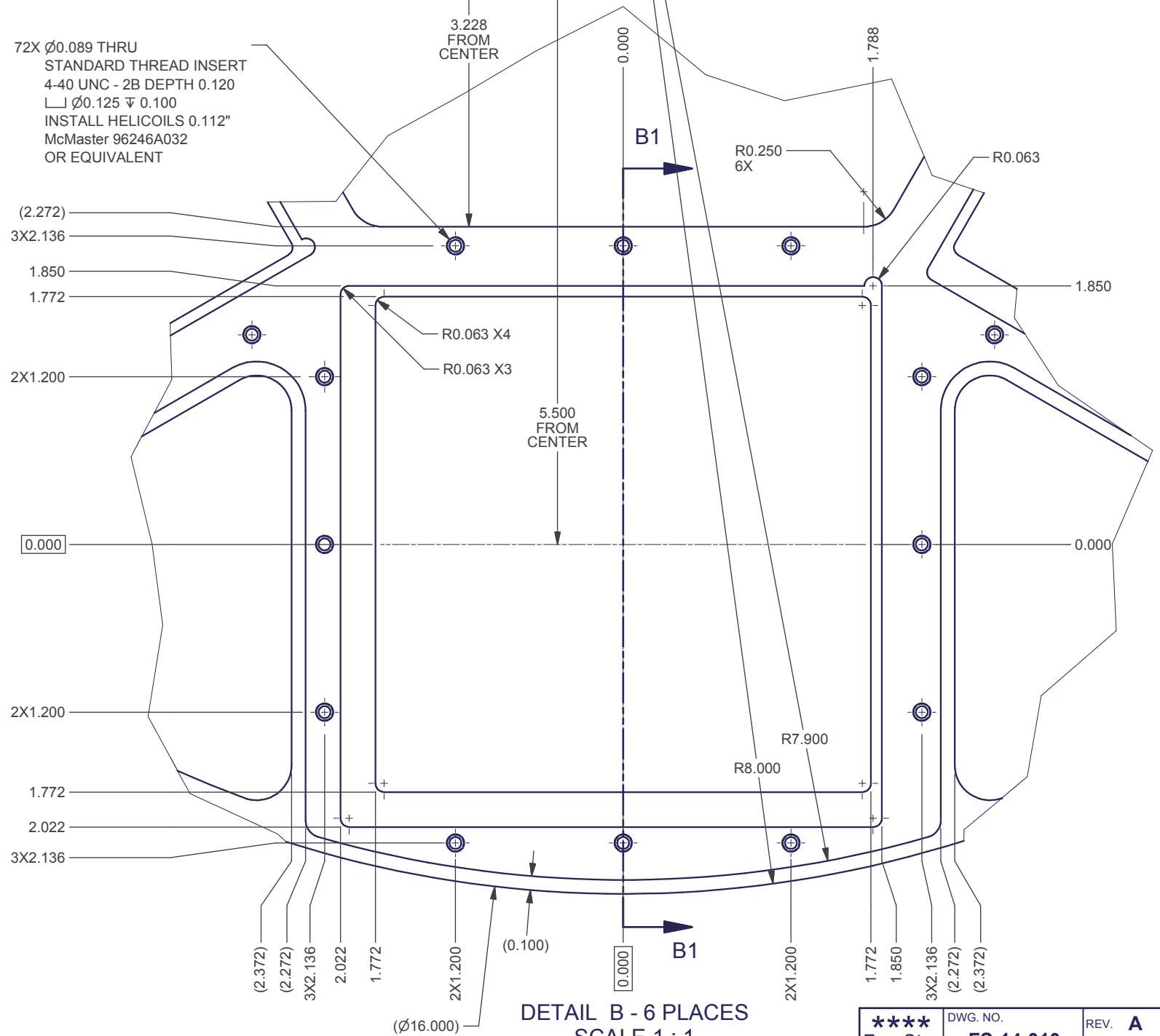
Φ	0.007	A	B	C
---	-------	---	---	---

**** FourStar	DWG. NO.	REV. <b>A</b>
	<b>FS-14-010</b>	SHT2 OF 4

72X Ø0.089 THRU  
STANDARD THREAD INSERT  
4-40 UNC - 2B DEPTH 0.120  
└┘ Ø0.125 ▽ 0.100  
INSTALL HELICOILS 0.112"  
McMaster 96246A032  
OR EQUIVALENT

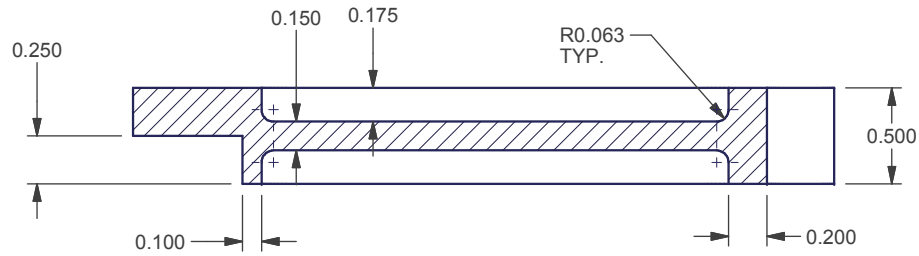


SECTION B1-B1  
SCALE 1 : 1

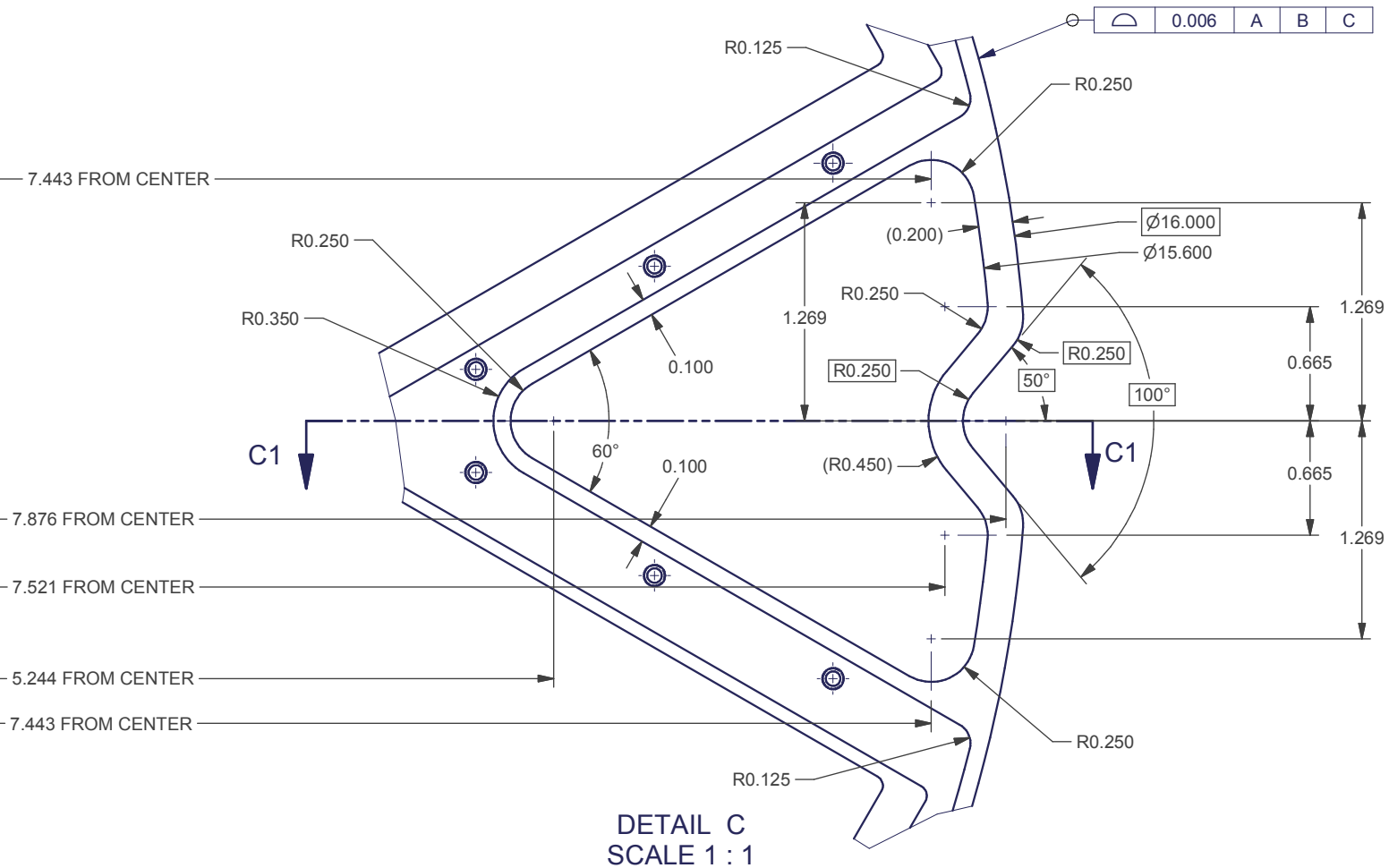


DETAIL B - 6 PLACES  
SCALE 1 : 1

**** FourStar	DWG. NO.	REV. <b>A</b>
	<b>FS-14-010</b>	SHT3 OF 4



SECTION C1-C1  
SCALE 1 : 1



DETAIL C  
SCALE 1 : 1