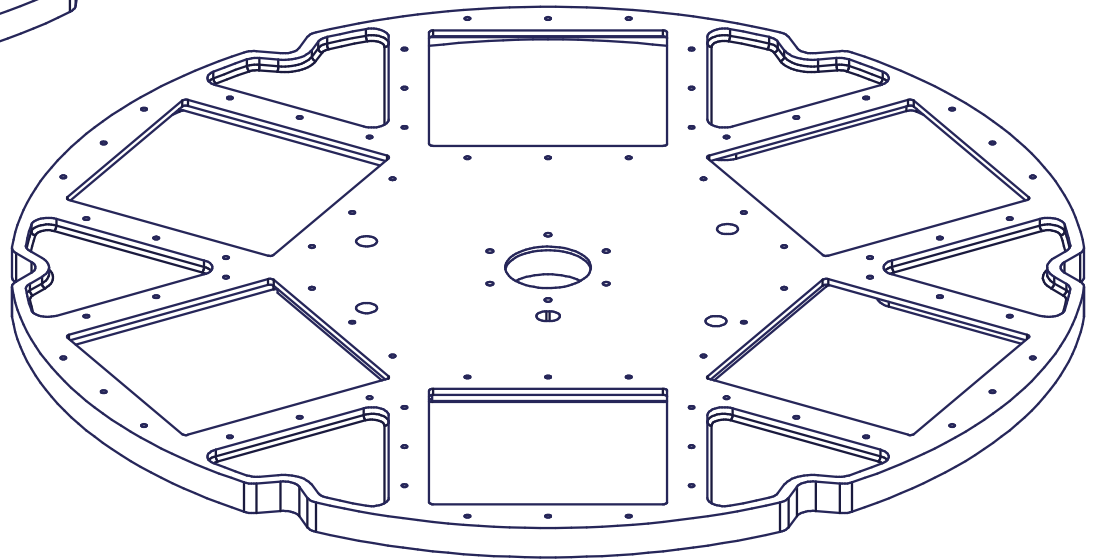


TOP VIEW



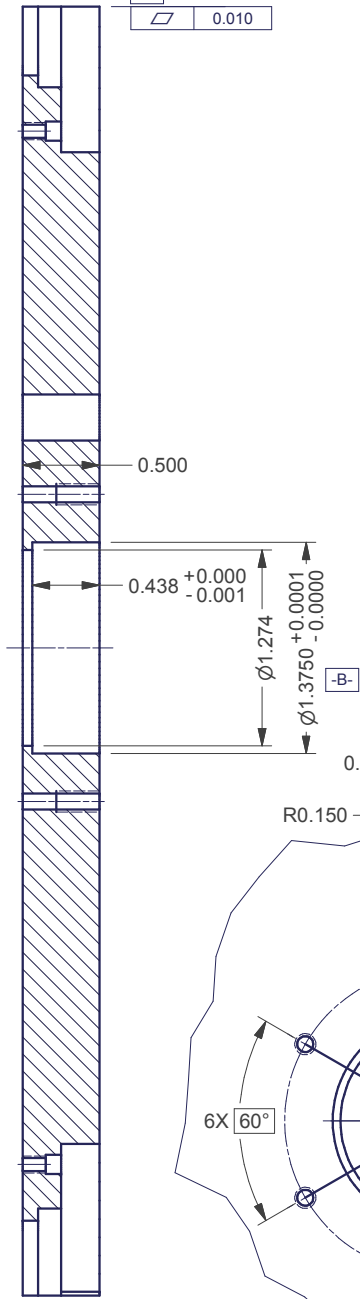
BOTTOM VIEW

NOTES:

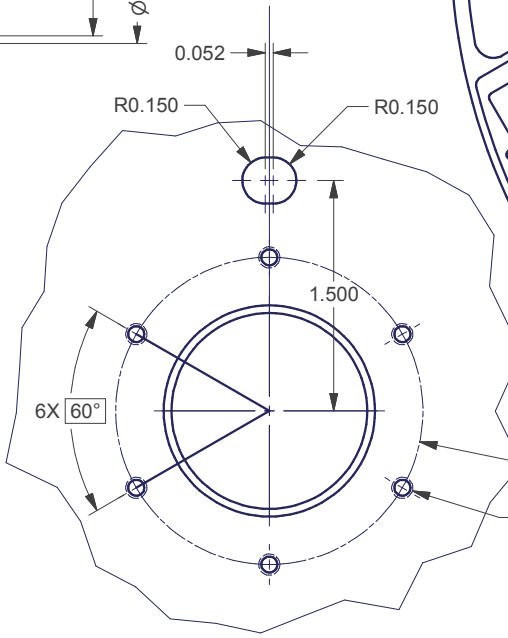
- 1. MATERIAL: K100-S
- 2. FINISH: NONE

REV	CHANGES	DATE	BY	MATERIAL:	UNLESS OTHERWISE SPECIFIED: DIMENSIONS ARE IN INCHES BRAKE EDGES / REMOVE BURRS	**** FourStar	FS-04-004	FILTER WL ASSY	<h1>THE OBSERVATORIES</h1> <p>CARNEGIE INSTITUTION OF WASHINGTON 813 SANTA BARBARA STREET PASADENA, CA. 91101-1232</p>	
NR	CheckPrint	7/22/2006	ERK	1			TOLERANCES:	NEXT ASSY		
NR2	CheckPrint	9/18/2006	ERK	FINISH:	X.X± 0.1	ANGLES:0.5°	APPLICATION		REV. A	
NR3	For JHU	7/14/2007	ERK	2	X.XX± 0.01	FRACTIONS:± 1/16	Designer: Persson	9/9/2004		SHT 1 OF 4
A	Production	8/23/2007	ERK	SCALE: As noted	X.XXX± 0.003	DO NOT SCALE DRAWING	Drawn: Koch	9/9/2004	Drawings Printed on: 8/23/2007	TOP FILTER WHEEL
										FS-14-011

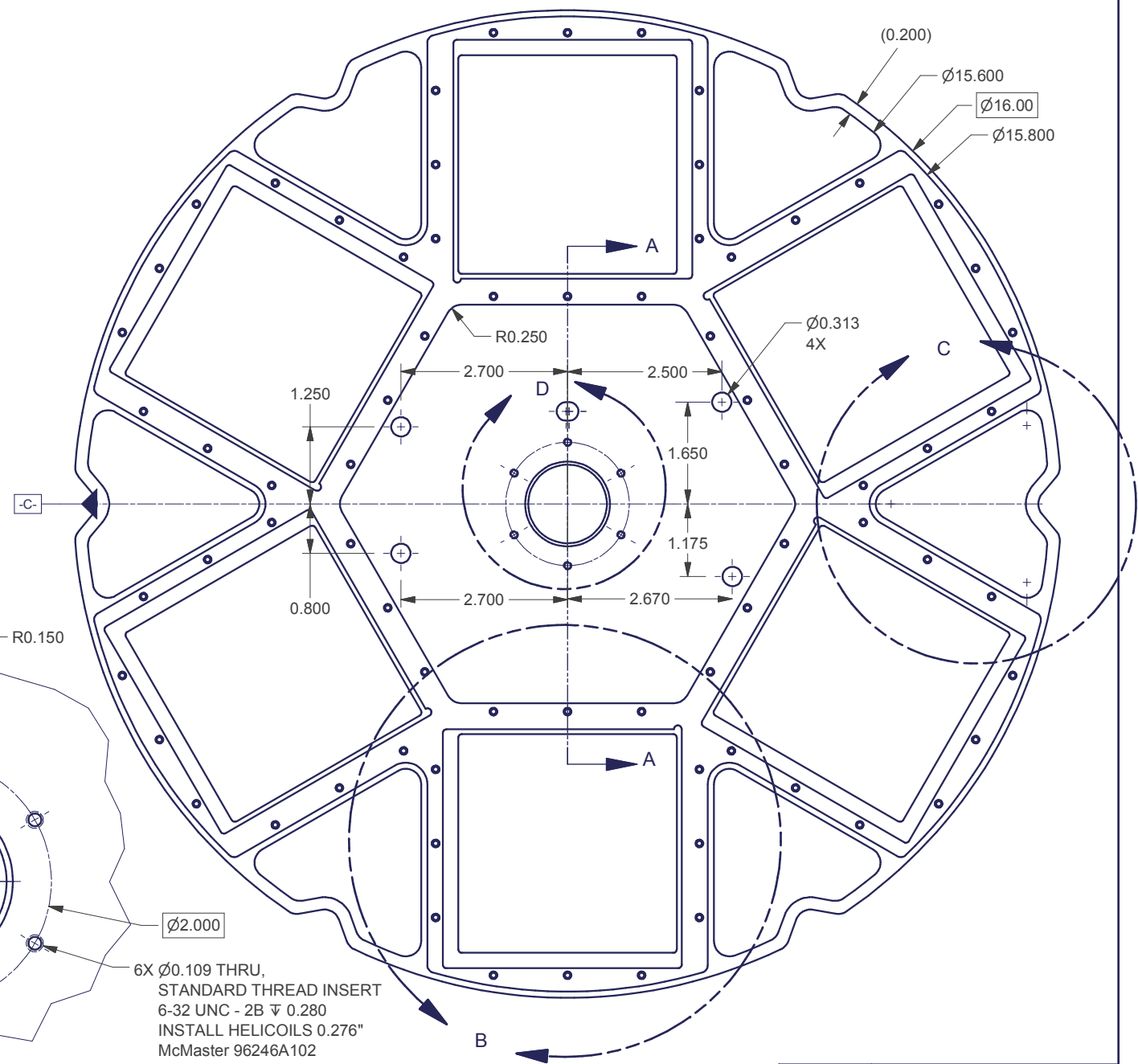
-A-
0.010



-B-



DETAIL D
SCALE 0.80 : 1



VIEW1
SCALE 0.40 : 1

6X Ø0.109 THRU,
STANDARD THREAD INSERT
6-32 UNC - 2B ∇ 0.280
INSTALL HELICOILS 0.276"
McMaster 96246A102
OR EQUIVALENT

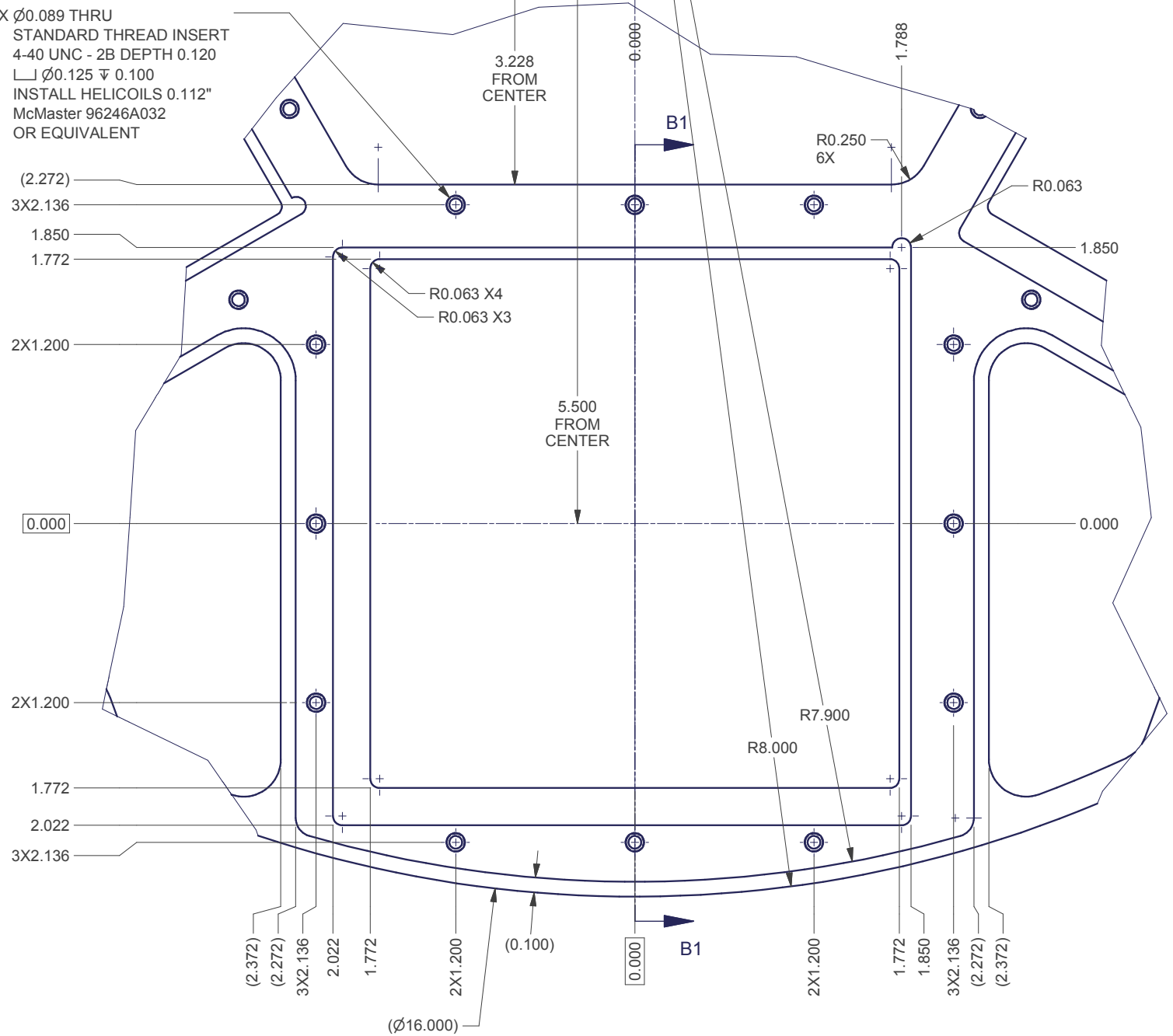
Φ	0.007	A	B	C
---	-------	---	---	---

SECTION A-A
SCALE 0.80 : 1

72X Ø0.089 THRU
 STANDARD THREAD INSERT
 4-40 UNC - 2B DEPTH 0.120
 □ Ø0.125 ▽ 0.100
 INSTALL HELICOILS 0.112"
 McMaster 96246A032
 OR EQUIVALENT

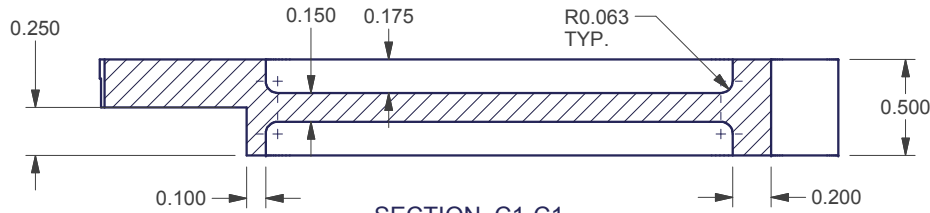


SECTION B1-B1
 SCALE 1:1

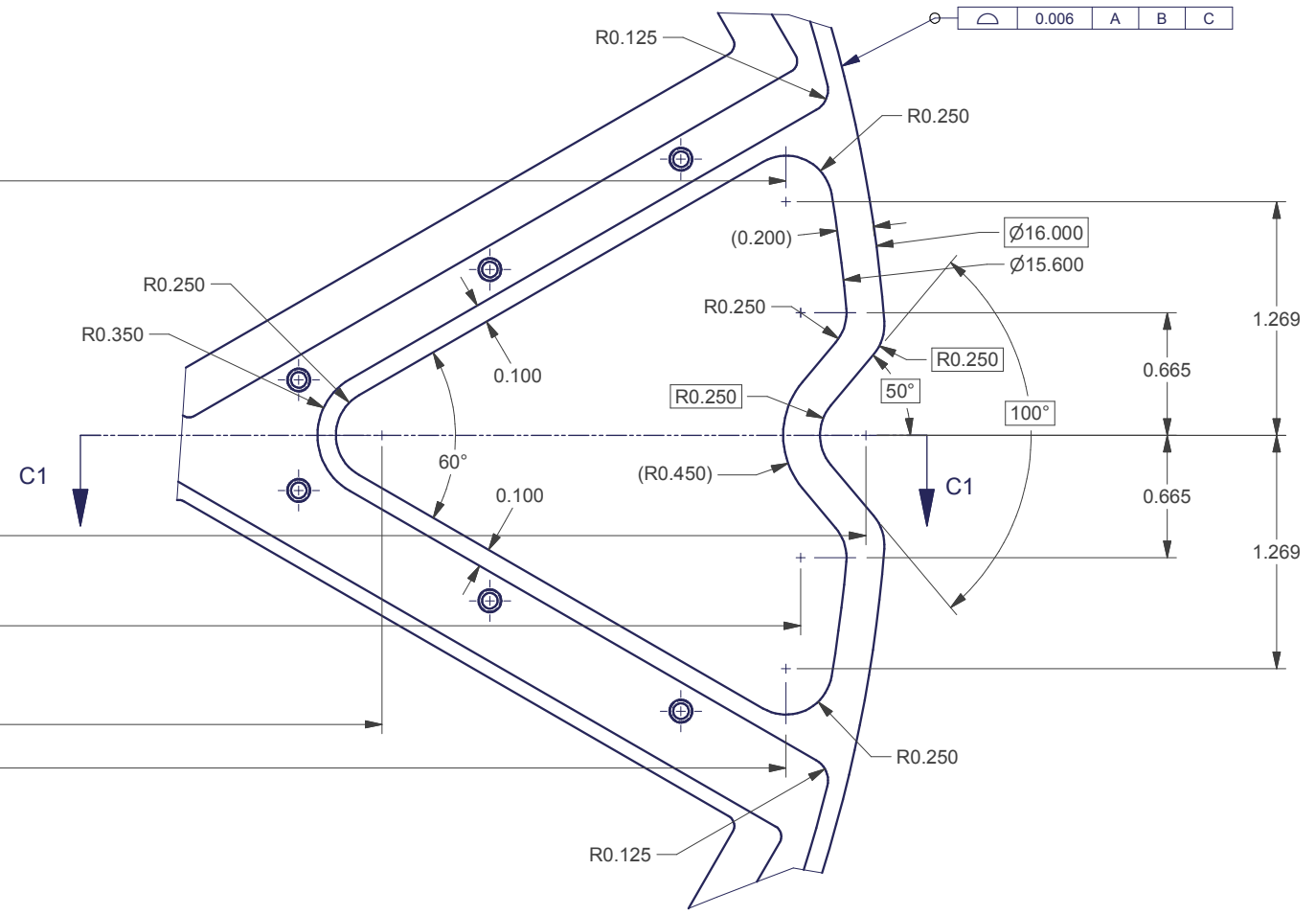


DETAIL B - 6 PLACES
 SCALE 1:1

**** FourStar	DWG. NO.	REV. A
	FS-14-011	SHT3 OF 4



SECTION C1-C1
SCALE 1 : 1



DETAIL C
SCALE 1 : 1

7.443 FROM CENTER

7.876 FROM CENTER

7.521 FROM CENTER

5.244 FROM CENTER

7.443 FROM CENTER